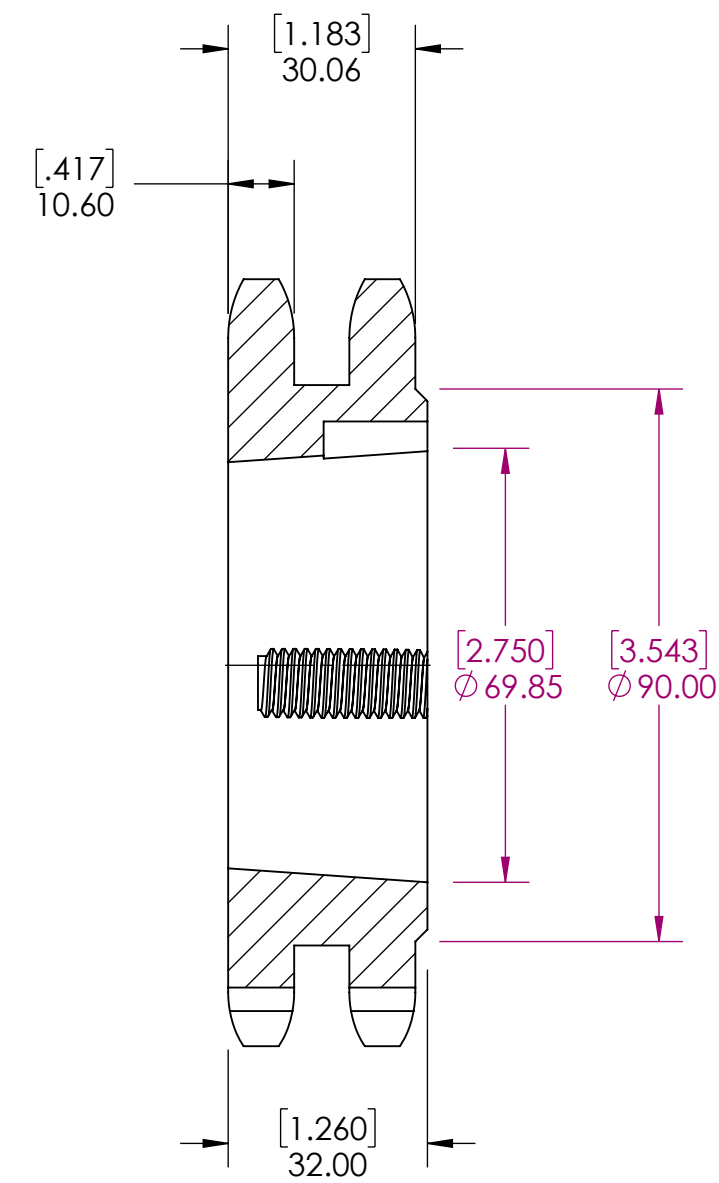
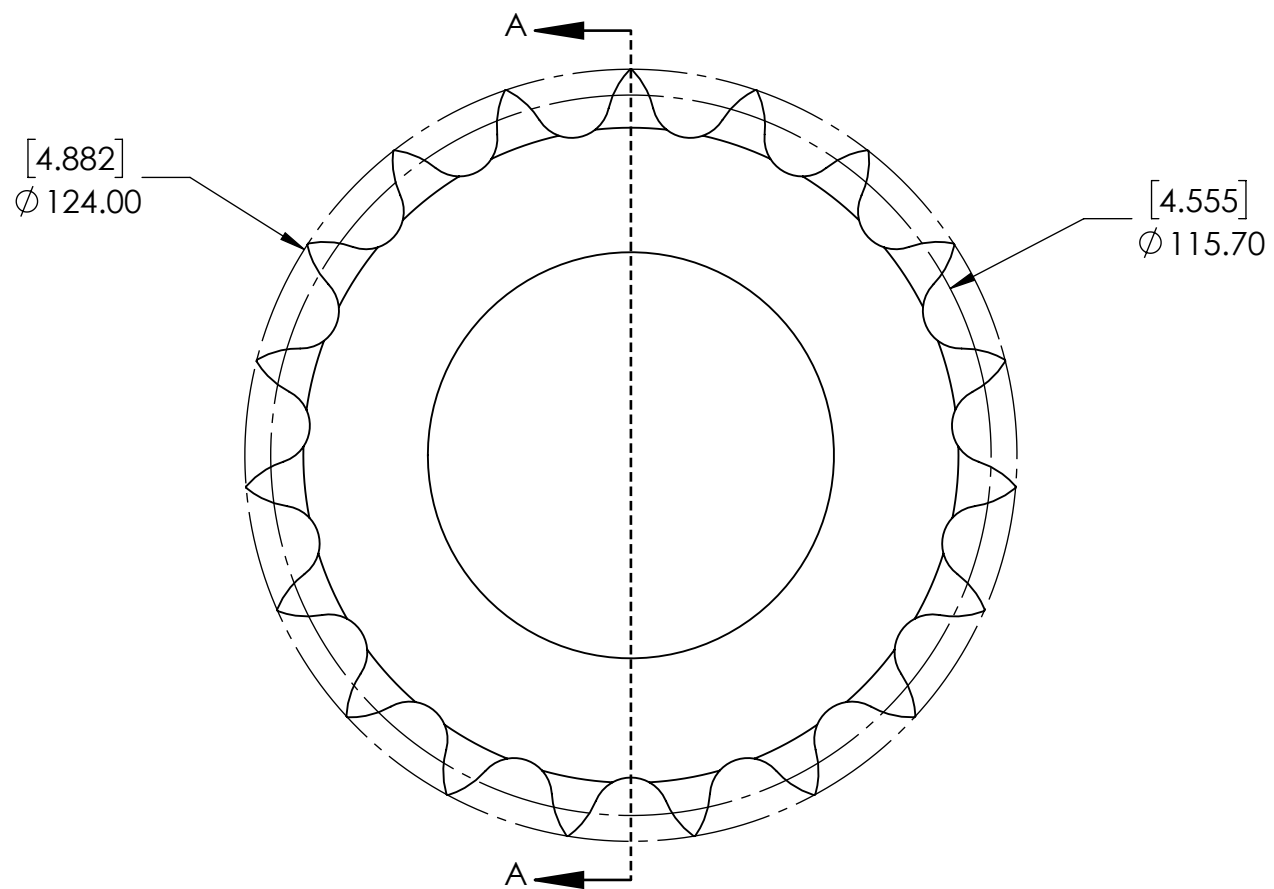


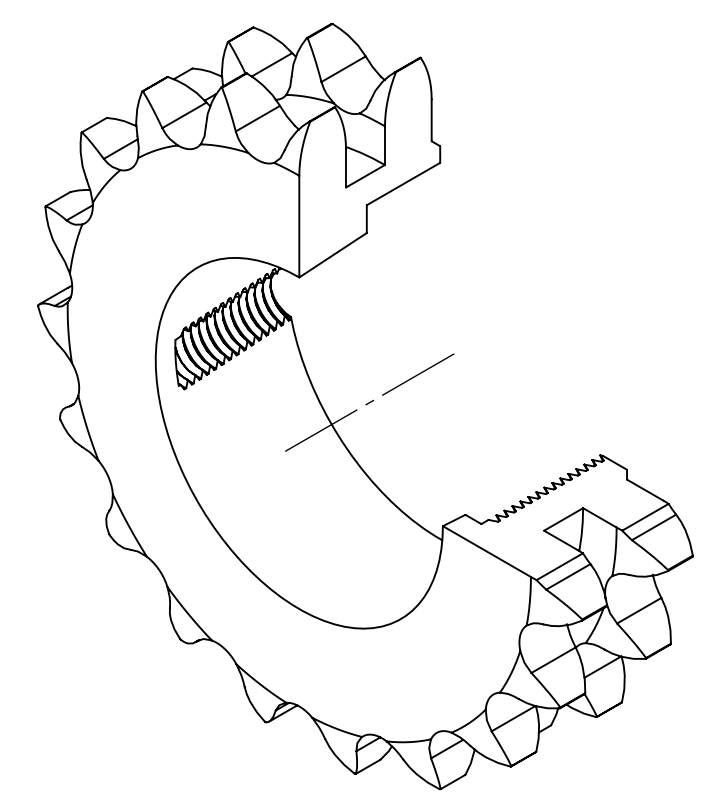
9 8 7 6 5 4 3 2 1

G
F
E
D
C
B
A

G
F
E
D
C
B
A



SECTION A-A



SPROCKETS SPECIFICATIONS		WEIGHT		DATE		BY		REVISION DESCRIPTION		REV
UNITS	mm (INCH)	2.66 LBS								SCALE
CHAIN SIZE	12B	STEEL								1:1
PITCH	19.05 mm	COATING		BLACK OXIDE						REV
INNER WIDTH	11.68 mm	DRAWN		SEC 07/31/2025						-
ROLLER DIA.	12.07 mm	CHECKED		EG 07/31/2025						
TOOTH WIDTH	10.60 mm	APPROVED								
NUMBER OF TEETH	19	THIRD ANGLE PROJECTION								
HUB STYLE	B	DWG. NO.		12B-2-19TL-2012						
BORE TYPE	FOR TAPER BUSHING	PROPRIETARY AND CONFIDENTIAL		THE INFORMATION CONTAINED IN THIS DRAWING IS THE SOLE PROPERTY OF SOLVE IMG. ANY REPRODUCTION IN PART OR AS A WHOLE WITHOUT THE WRITTEN PERMISSION OF SOLVE IMG IS PROHIBITED.						
BUSHING NUMBER	2012									

9 8 7 6 5 4 3 2 1