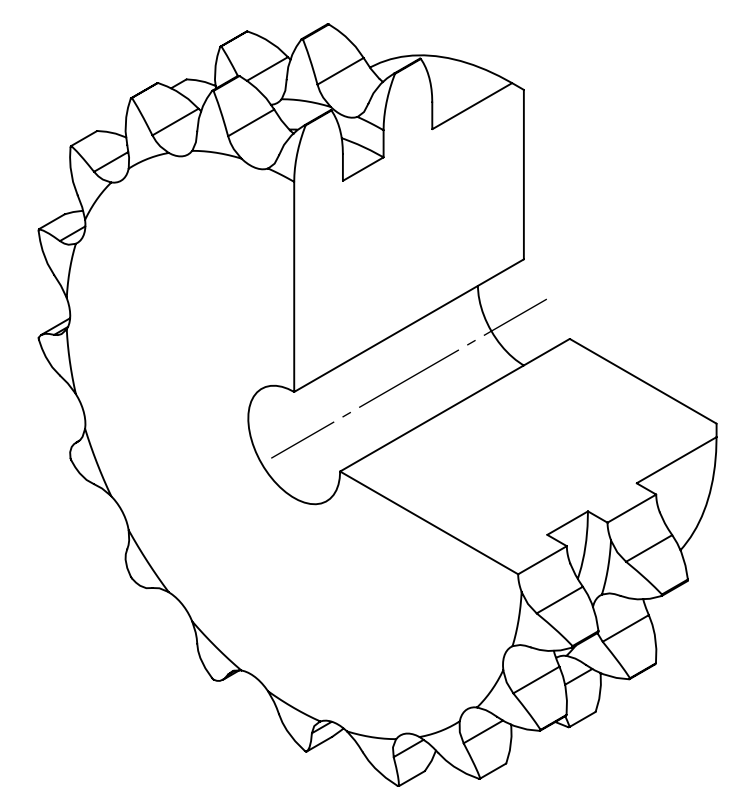
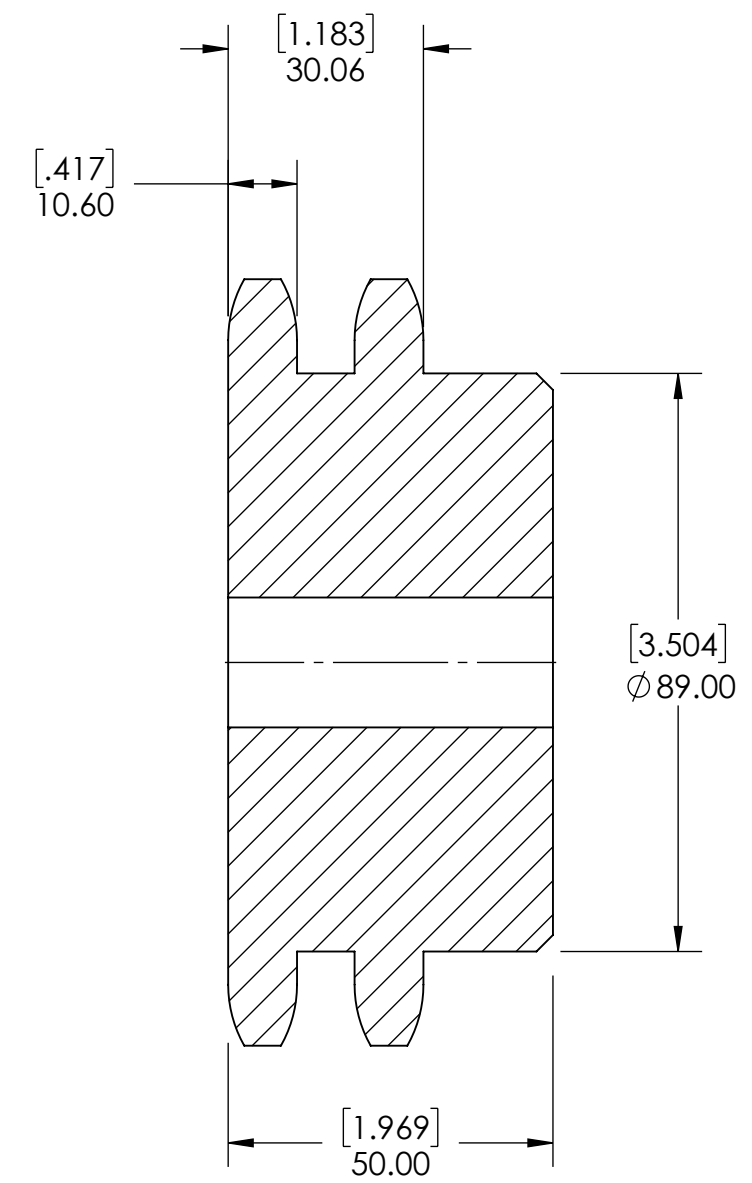
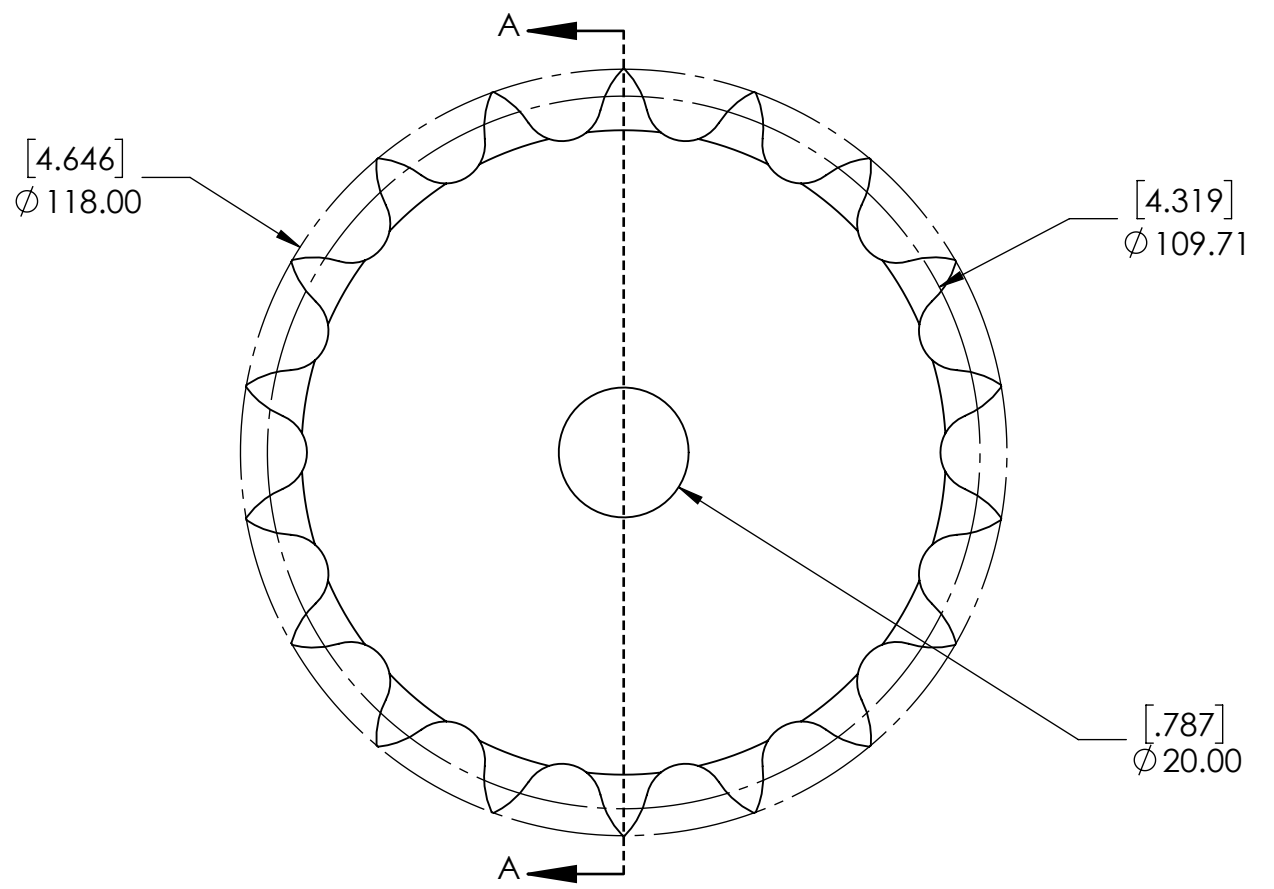


9 8 7 6 5 4 3 2 1

G F E D C B A



SECTION A-A

SPROCKETS SPECIFICATIONS		WEIGHT		DATE		BY		REVISION DESCRIPTION		REV
UNITS	mm (INCH)	5.96 LBS								SCALE
CHAIN SIZE	12B	STEEL								1:1
PITCH	19.05 mm	BLACK OXIDE		07/31/2025						REV
INNER WIDTH	11.68 mm	DRAWN		PT		08/06/2025				-
ROLLER DIA.	12.07 mm	CHECKED		PT						
TOOTH WIDTH	10.60 mm	APPROVED								
NUMBER OF TEETH	18	THIRD ANGLE PROJECTION								
HUB STYLE	B	DWG. NO.								
BORE TYPE	PLAIN BORE	PTI								
BUSHING NUMBER	N/A	PROPRIETARY AND CONFIDENTIAL								
		THE INFORMATION CONTAINED IN THIS DRAWING IS THE SOLE PROPERTY OF SOLVE IMG. ANY REPRODUCTION IN PART OR AS A WHOLE WITHOUT THE WRITTEN PERMISSION OF SOLVE IMG IS PROHIBITED.								
		12B-2-18B								

9 8 7 6 5 4 3 2 1

A