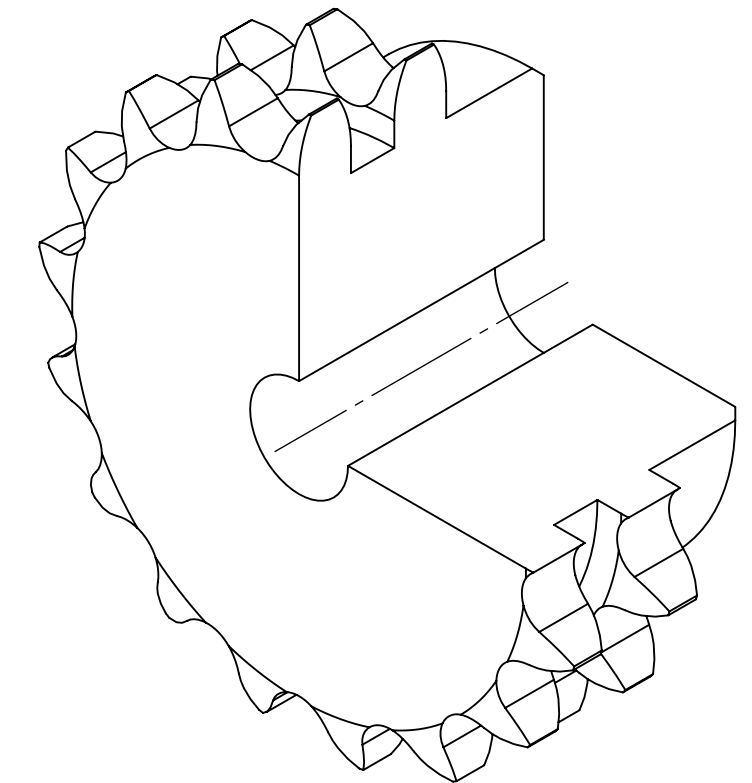
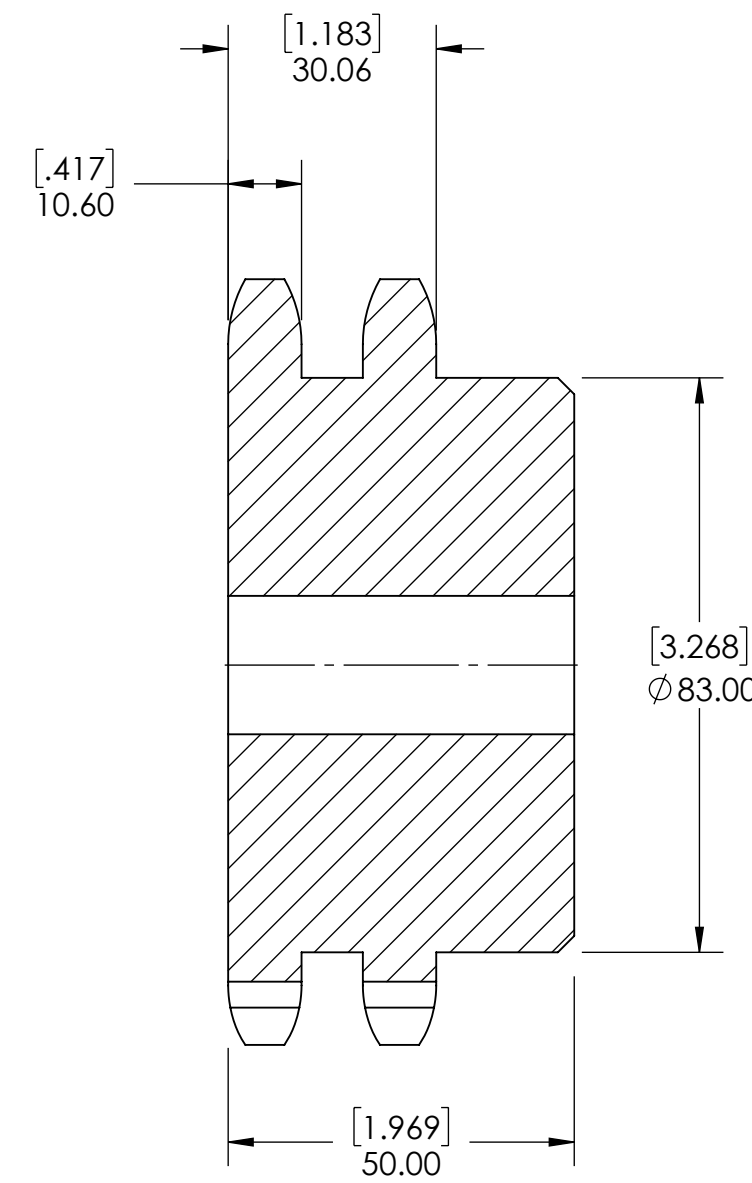
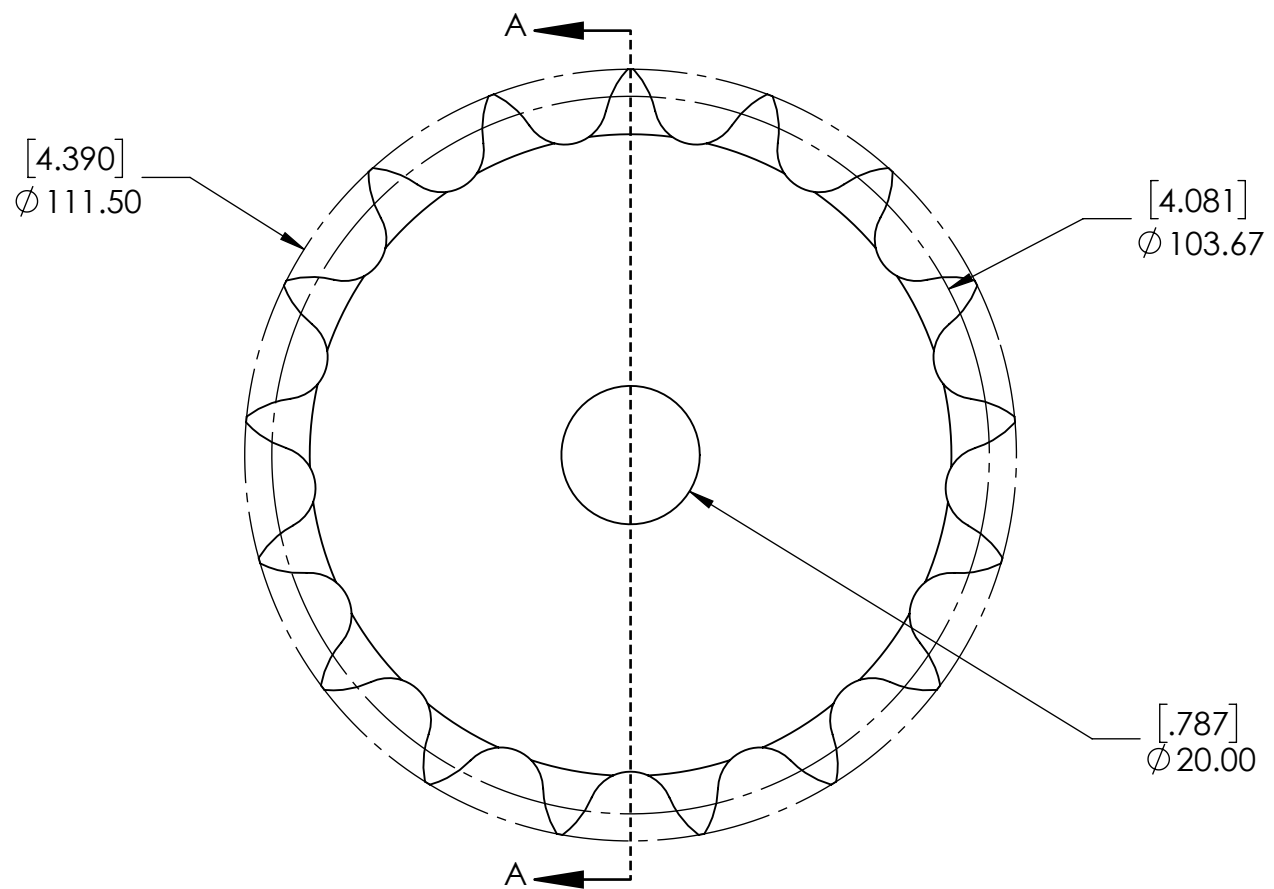


9 8 7 6 5 4 3 2 1

G  
F  
E  
D  
C  
B  
A

G  
F  
E  
D  
C  
B  
A



SECTION A-A

SPROCKETS SPECIFICATIONS		WEIGHT		5.21 LBS		
UNITS	mm (INCH)	MATERIAL	STEEL			
CHAIN SIZE	12B	COATING	BLACK OXIDE			
PITCH	19.05 mm	DRAWN	SEC	07/31/2025		
INNER WIDTH	11.68 mm	CHECKED	PT	08/06/2025		
ROLLER DIA.	12.07 mm	APPROVED				
TOOTH WIDTH	10.60 mm	DATE				BY
NUMBER OF TEETH	17			ITEM DESCRIPTION:		SCALE
HUB STYLE	B	DWG. NO.		12B-2-17B		1:1
BORE TYPE	PLAIN BORE	<small>PROPRIETARY AND CONFIDENTIAL</small> <small>THE INFORMATION CONTAINED IN THIS DRAWING IS THE SOLE PROPERTY OF SOLVE IMG. ANY REPRODUCTION IN PART OR AS A WHOLE WITHOUT THE WRITTEN PERMISSION OF SOLVE IMG IS PROHIBITED.</small>				REV
BUSHING NUMBER	N/A					-

9 8 7 6 5 4 3 2 1