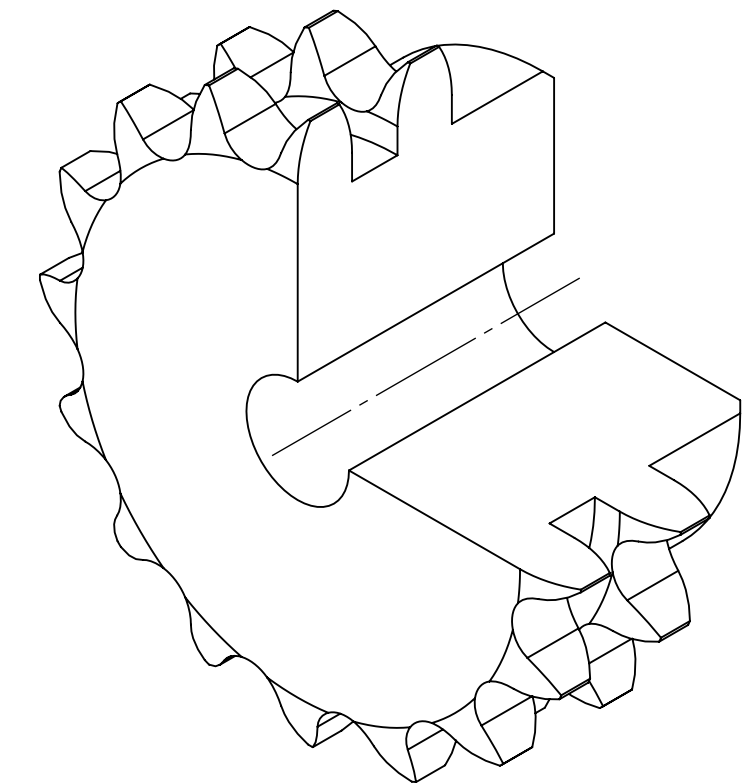
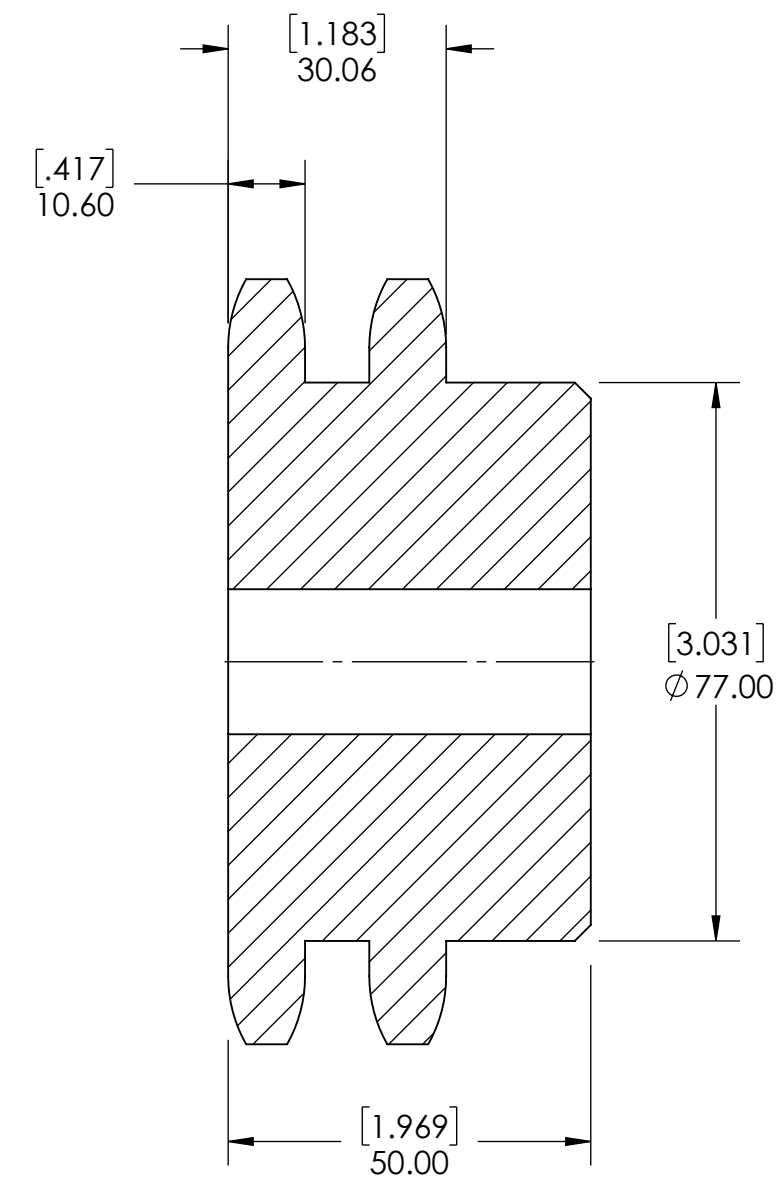
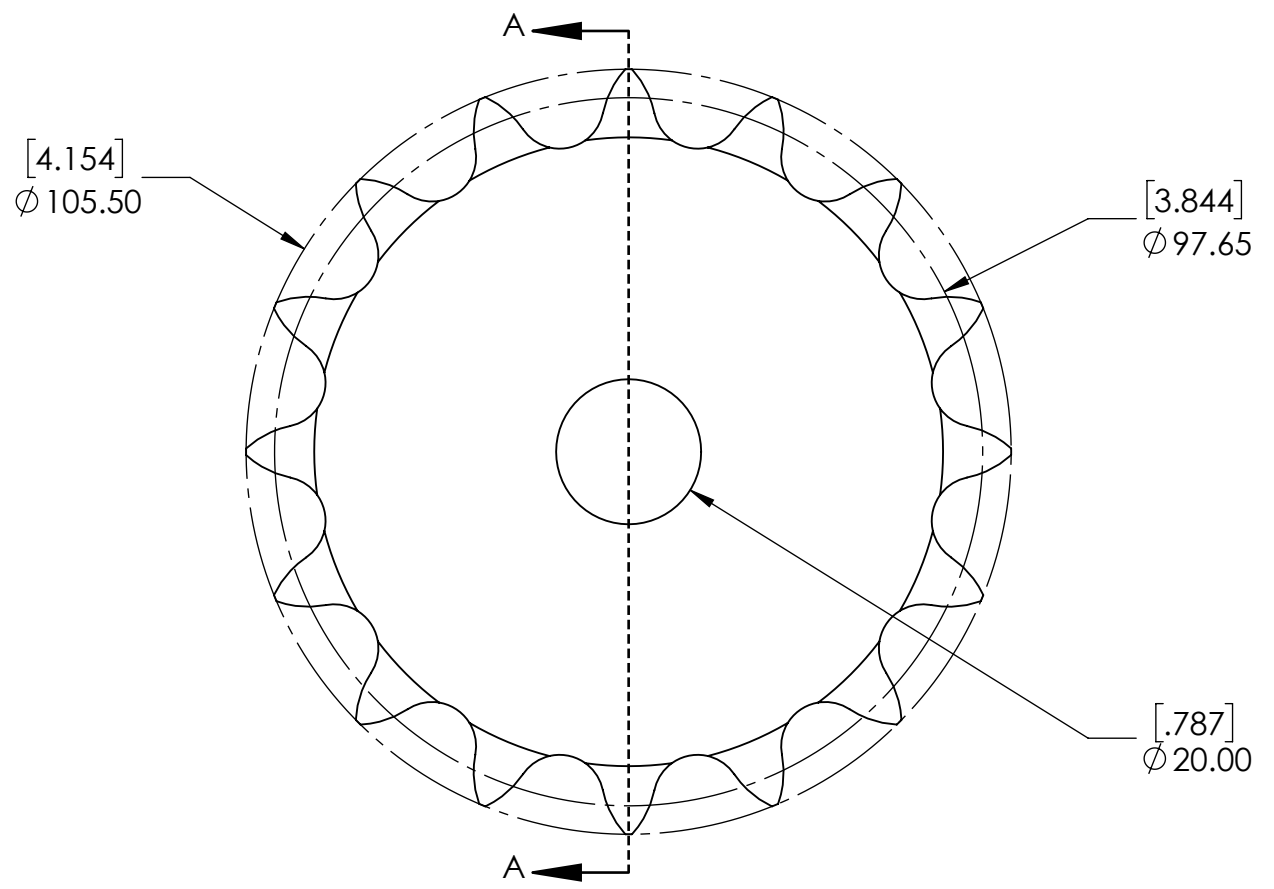


9 8 7 6 5 4 3 2 1

G F E D C B A



SECTION A-A

SPROCKETS SPECIFICATIONS		WEIGHT		4.50 LBS	
UNITS	mm (INCH)	MATERIAL	STEEL		
CHAIN SIZE	12B	COATING	BLACK OXIDE		
PITCH	19.05 mm	DRAWN	SEC	07/31/2025	
INNER WIDTH	11.68 mm	CHECKED	PT	08/06/2025	
ROLLER DIA.	12.07 mm	APPROVED			
TOOTH WIDTH	10.60 mm	DATE			
NUMBER OF TEETH	16	ITEM DESCRIPTION:			SCALE
HUB STYLE	B	DWG. NO. 12B-2-16B			1:1
BORE TYPE	PLAIN BORE				REV
BUSHING NUMBER	N/A				-

9 8 7 6 5 4 3 2 1

A B C D E F G