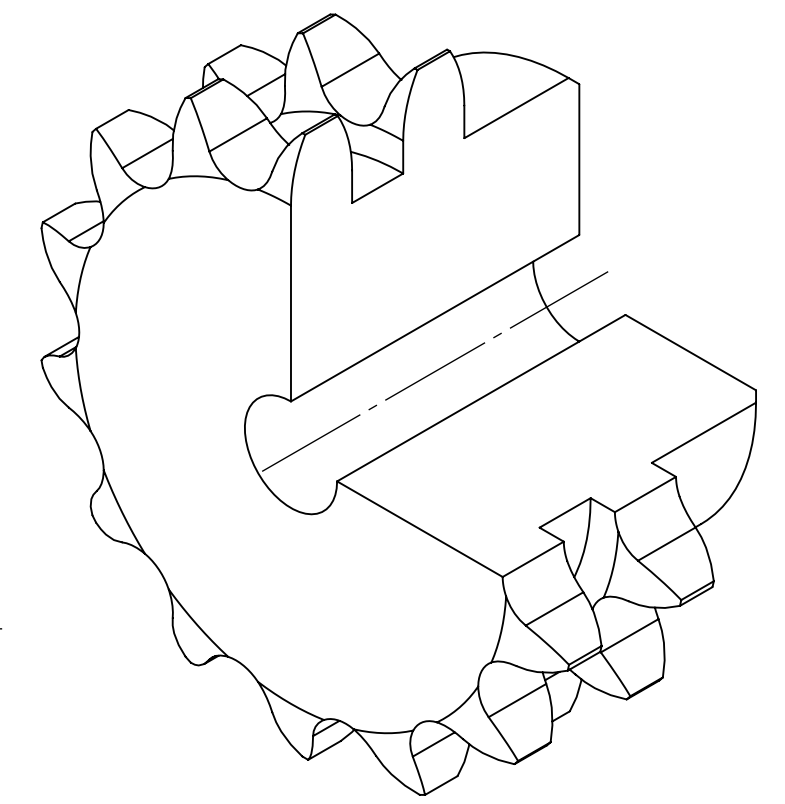
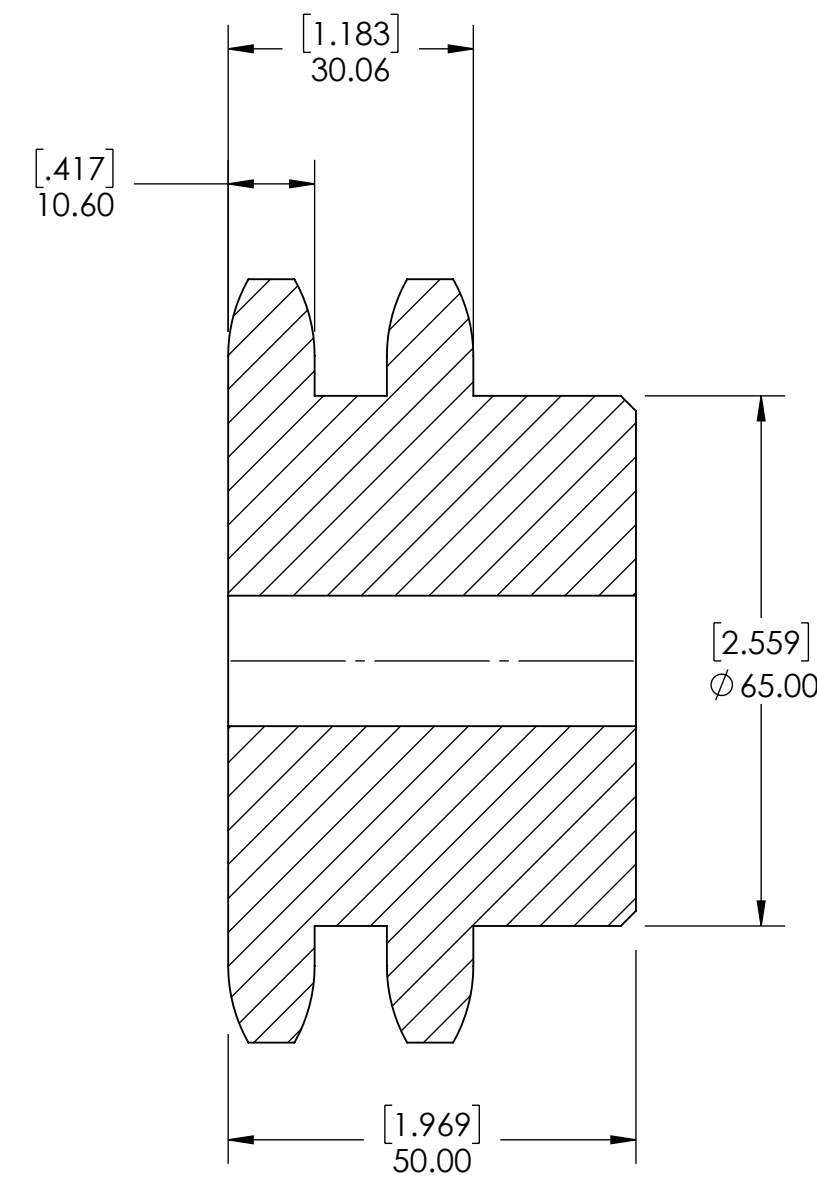
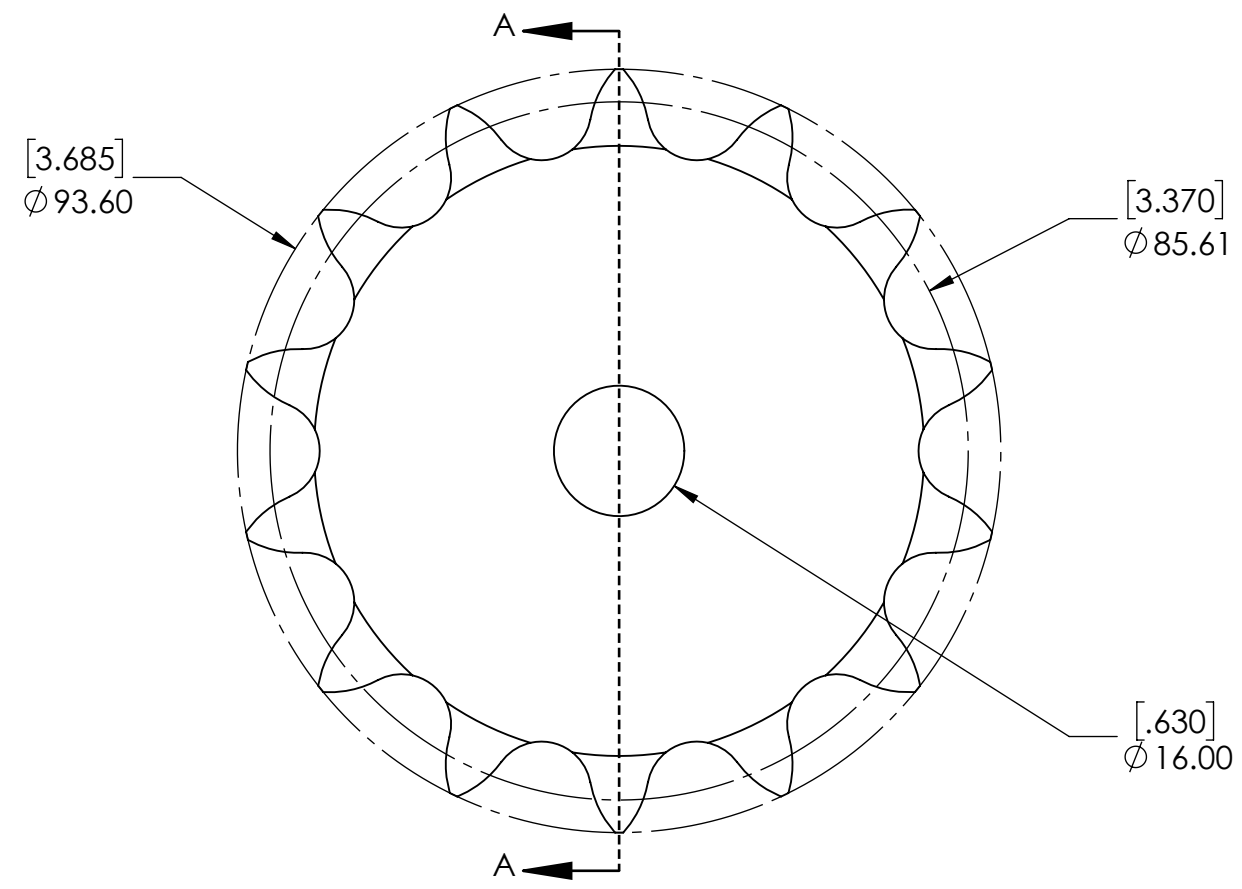


9 8 7 6 5 4 3 2 1

G
F
E
D
C
B
A

G
F
E
D
C
B
A



SECTION A-A

SPROCKETS SPECIFICATIONS		WEIGHT		DATE		BY		REVISION DESCRIPTION		REV
UNITS	mm (INCH)	MATERIAL	STEEL							
CHAIN SIZE	12B	COATING	BLACK OXIDE							
PITCH	19.05 mm	DRAWN	SEC	07/31/2025						
INNER WIDTH	11.68 mm	CHECKED	PT	08/06/2025						
ROLLER DIA.	12.07 mm	APPROVED								
TOOTH WIDTH	10.60 mm									
NUMBER OF TEETH	14									
HUB STYLE	B									
BORE TYPE	PLAIN BORE									
BUSHING NUMBER	N/A									
		SIZE	DWG. NO.		ITEM DESCRIPTION:		12B-2-14B		SCALE	1:1
		SOLVE INDUSTRIAL MOTION GROUP		PTI				REV	-	
		THIRD ANGLE PROJECTION		PROPRIETARY AND CONFIDENTIAL						
				THE INFORMATION CONTAINED IN THIS DRAWING IS THE SOLE PROPERTY OF SOLVE IMG. ANY REPRODUCTION IN PART OR AS A WHOLE WITHOUT THE WRITTEN PERMISSION OF SOLVE IMG IS PROHIBITED.						

9 8 7 6 5 4 3 2 1