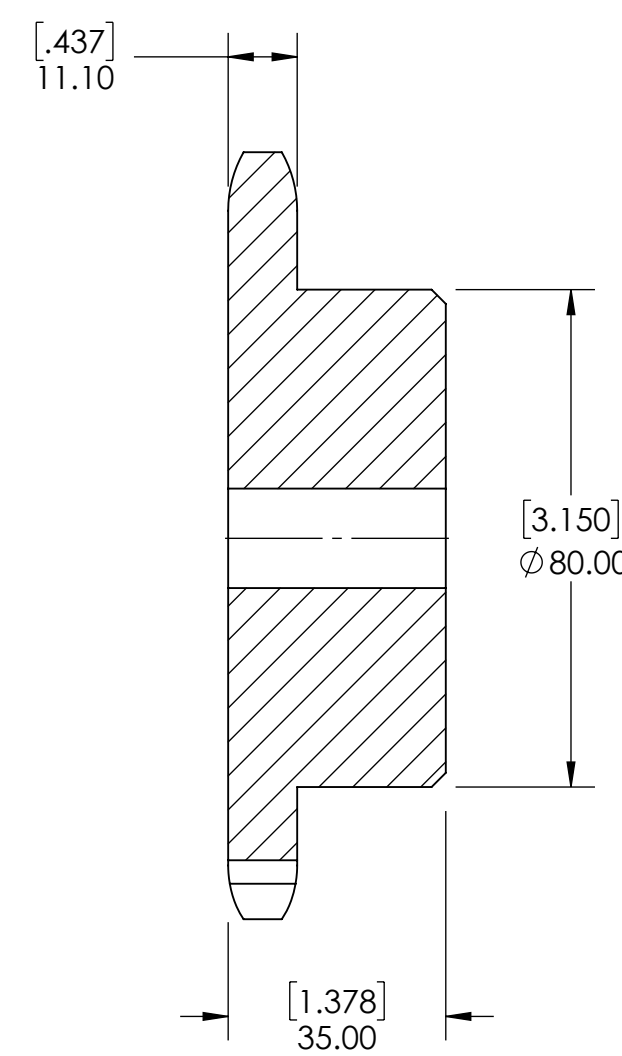
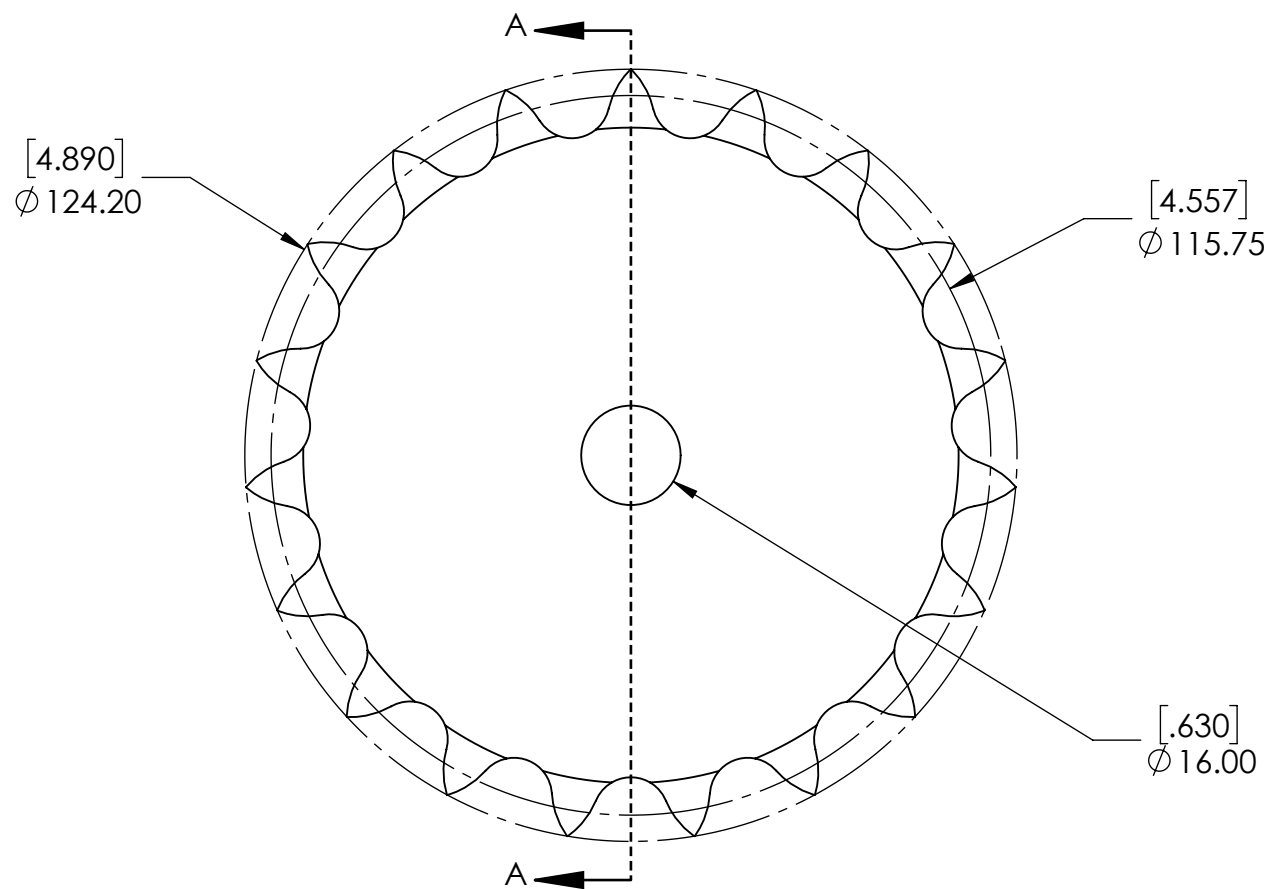


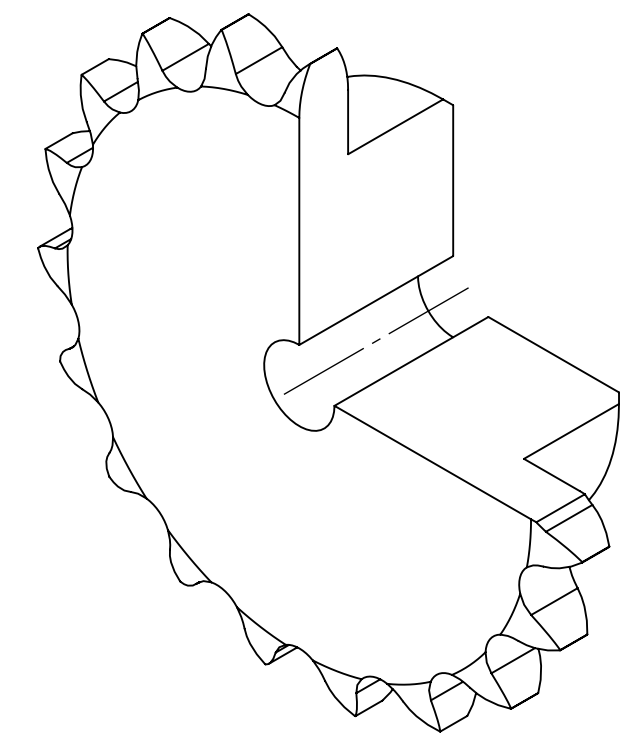
9 8 7 6 5 4 3 2 1

G
F
E
D
C
B
A

G
F
E
D
C
B
A



SECTION A-A



SPROCKETS SPECIFICATIONS		WEIGHT		3.86 LBS				
UNITS	mm (INCH)	MATERIAL	STAINLESS STEEL					
CHAIN SIZE	12B	COATING	N/A					
PITCH	19.05 mm	DRAWN	SEC	08/18/2025				
INNER WIDTH	11.68 mm	CHECKED	DH	08/18/2025				
ROLLER DIA.	12.07 mm	APPROVED			DATE			
TOOTH WIDTH	11.10 mm				BY			
NUMBER OF TEETH	19		REVISION DESCRIPTION			REV		
HUB STYLE	B	PROPRIETARY AND CONFIDENTIAL THE INFORMATION CONTAINED IN THIS DRAWING IS THE SOLE PROPERTY OF SOLVE IMG. ANY REPRODUCTION IN PART OR AS A WHOLE WITHOUT THE WRITTEN PERMISSION OF SOLVE IMG IS PROHIBITED.			ITEM DESCRIPTION:		SCALE	
BORE TYPE	PLAIN BORE				12B-19BSS		1:1	
BUSHING NUMBER	N/A						REV	
		DWG. NO.						

9 8 7 6 5 4 3 2 1