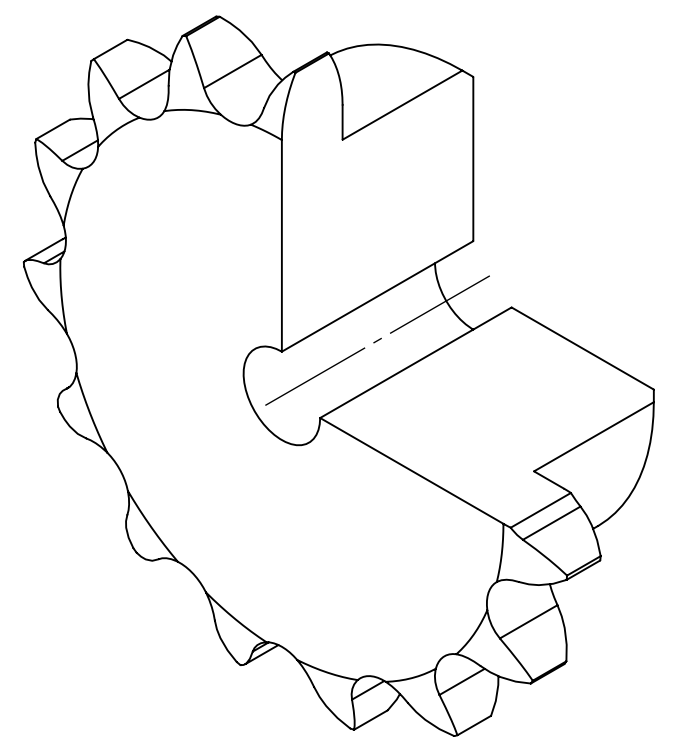
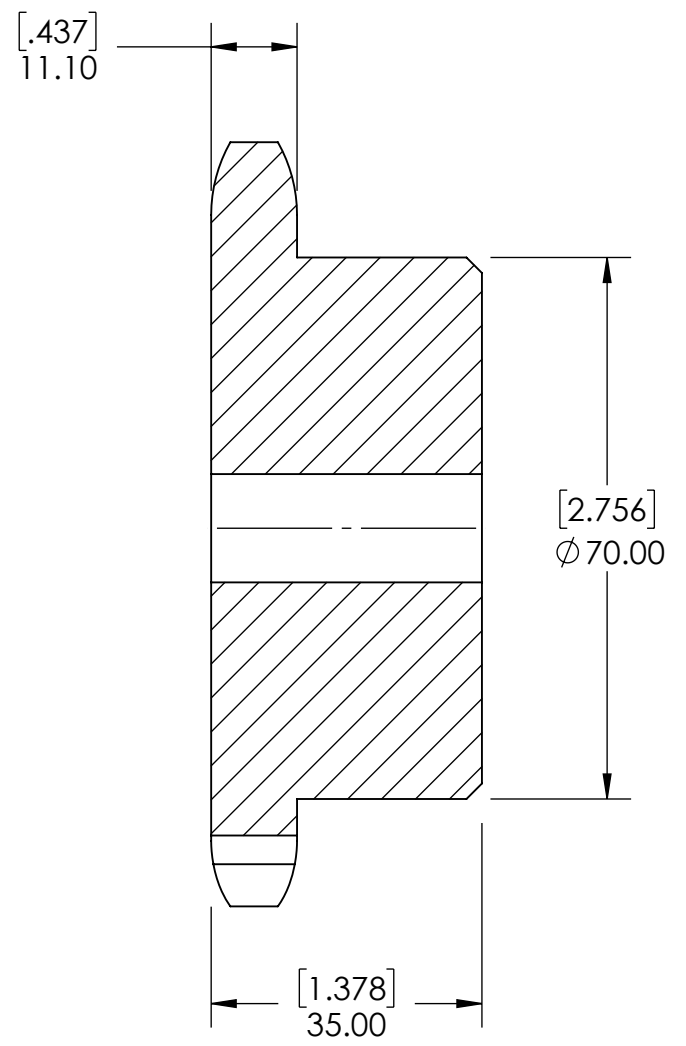
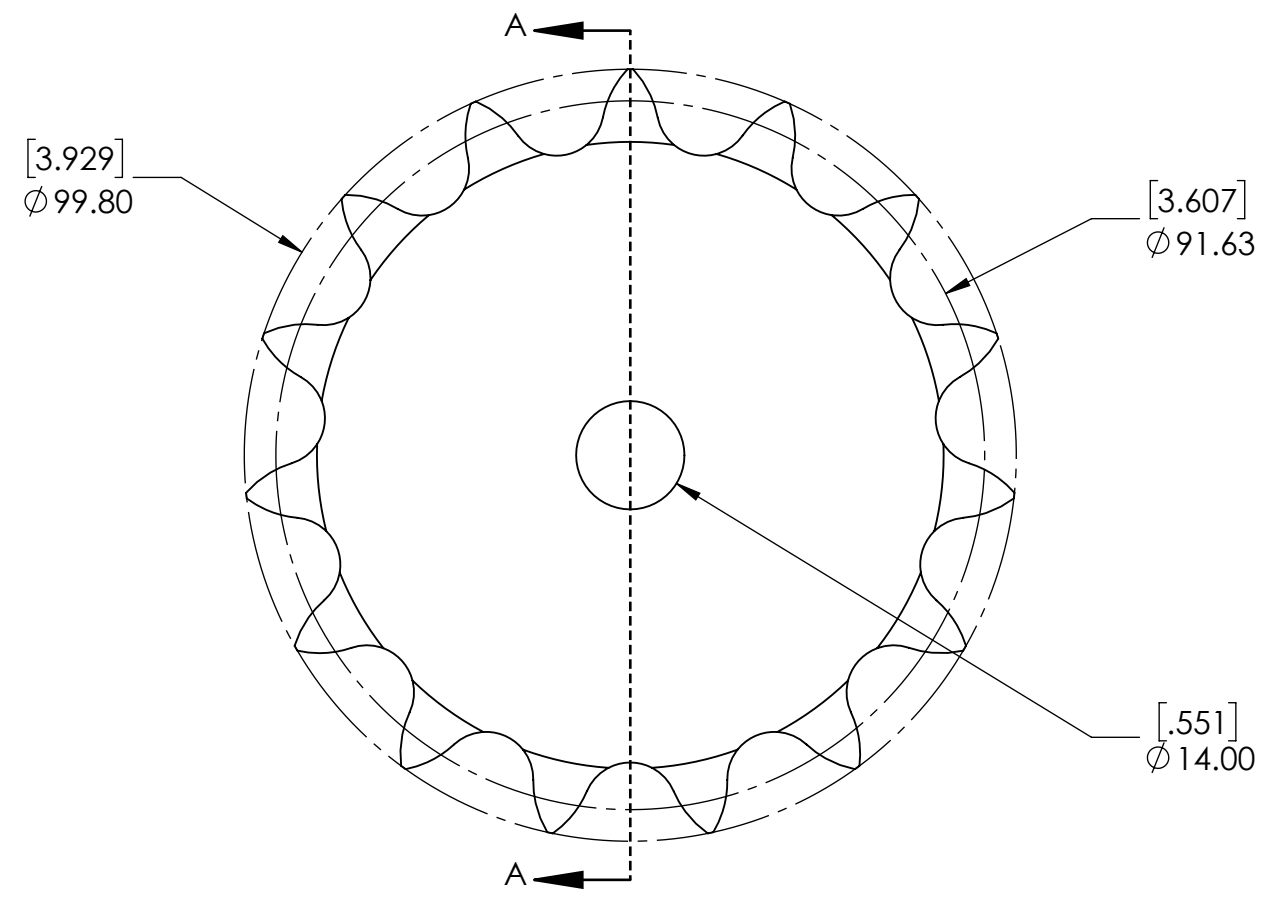


9 8 7 6 5 4 3 2 1

G
F
E
D
C
B
A

G
F
E
D
C
B
A



SECTION A-A

SPROCKETS SPECIFICATIONS		WEIGHT		DATE		BY		REVISION DESCRIPTION		REV
UNITS	mm (INCH)	2.67 LBS								
CHAIN SIZE	12B	MATERIAL STAINLESS STEEL								
PITCH	19.05 mm	COATING N/A		DRAWN SEC 08/18/2025						
INNER WIDTH	11.68 mm	CHECKED DH 08/18/2025		APPROVED						
ROLLER DIA.	12.07 mm	THIRD ANGLE PROJECTION		DATE		BY		REVISION DESCRIPTION		REV
TOOTH WIDTH	11.10 mm	INDUSTRIAL MOTION GROUP		ITEM DESCRIPTION:						SCALE
NUMBER OF TEETH	15	PTI		12B-15BSS						1:1
HUB STYLE	B	DWG. NO.		PROPRIETARY AND CONFIDENTIAL						REV
BORE TYPE	PLAIN BORE			THE INFORMATION CONTAINED IN THIS DRAWING IS THE SOLE PROPERTY OF SOLVE IMG. ANY REPRODUCTION IN PART OR AS A WHOLE WITHOUT THE WRITTEN PERMISSION OF SOLVE IMG IS PROHIBITED.						-
BUSHING NUMBER	N/A									

9 8 7 6 5 4 3 2 1