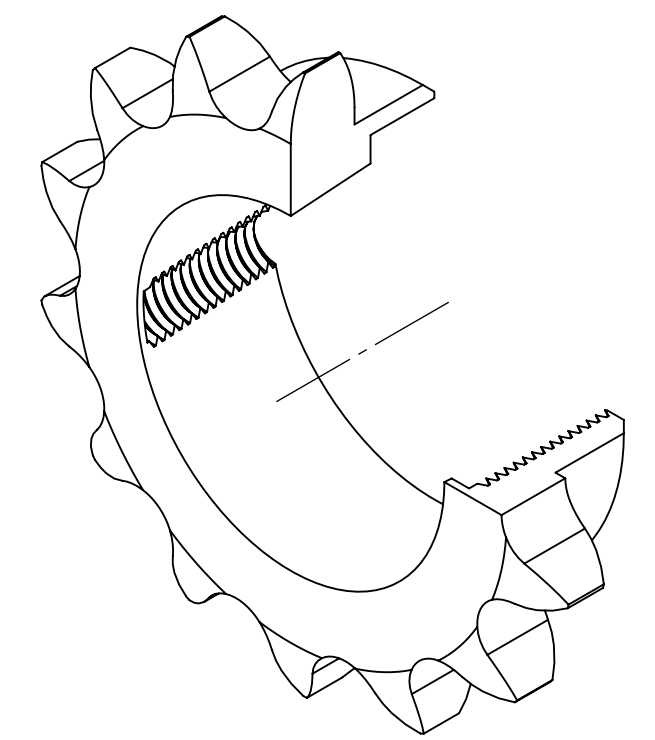
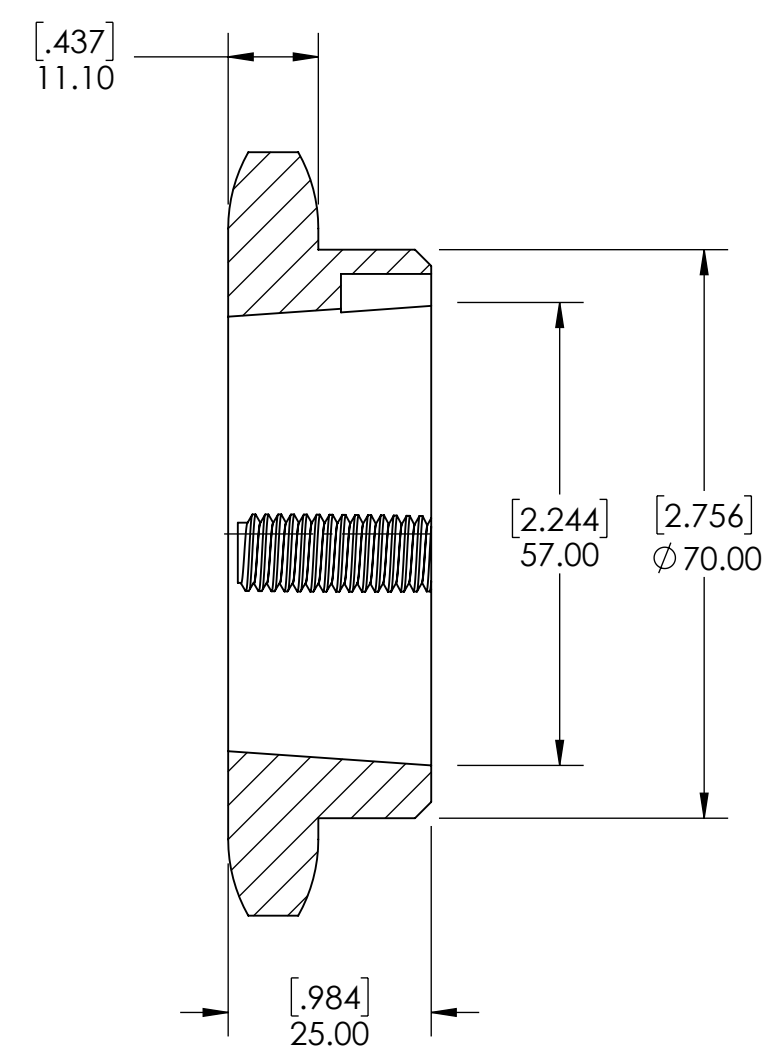
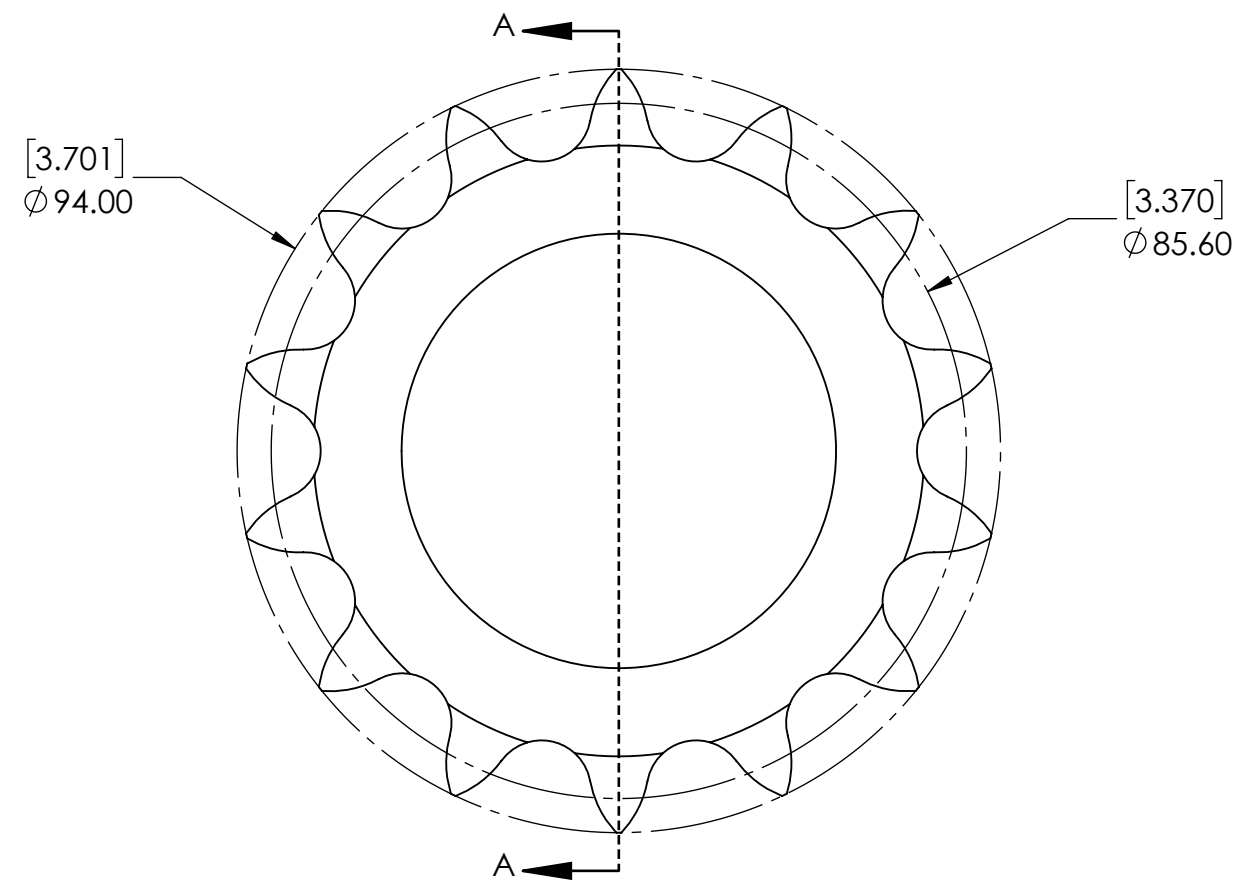


9 8 7 6 5 4 3 2 1

G F E D C B A



SECTION A-A

SPROCKETS SPECIFICATIONS		WEIGHT		DATE		BY		REVISION DESCRIPTION		REV
UNITS	mm (INCH)	0.83 LBS								SCALE
CHAIN SIZE	12B	STEEL								1:1
PITCH	19.05 mm	COATING		07/21/2025						REV
INNER WIDTH	11.68 mm	BLACK OXIDE		SEC						-
ROLLER DIA.	12.07 mm	DRAWN		07/28/2025						
TOOTH WIDTH	11.10 mm	CHECKED		SEC						
NUMBER OF TEETH	14	APPROVED								
HUB STYLE	B	THIRD ANGLE PROJECTION								
BORE TYPE	FOR TAPER BUSHING	DWG. NO.		12B-14TL-1610						
BUSHING NUMBER	1610	PROPRIETARY AND CONFIDENTIAL		THE INFORMATION CONTAINED IN THIS DRAWING IS THE SOLE PROPERTY OF SOLVE IMG. ANY REPRODUCTION IN PART OR AS A WHOLE WITHOUT THE WRITTEN PERMISSION OF SOLVE IMG IS PROHIBITED.						

9 8 7 6 5 4 3 2 1

A