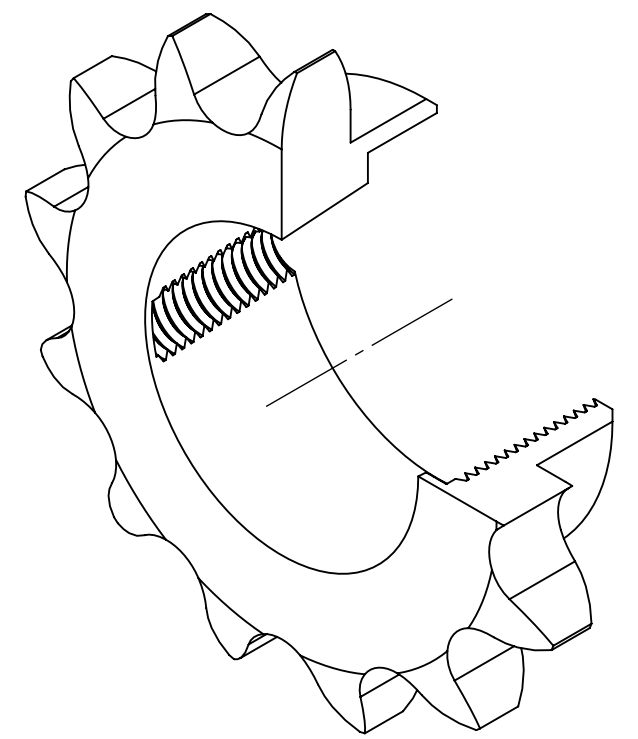
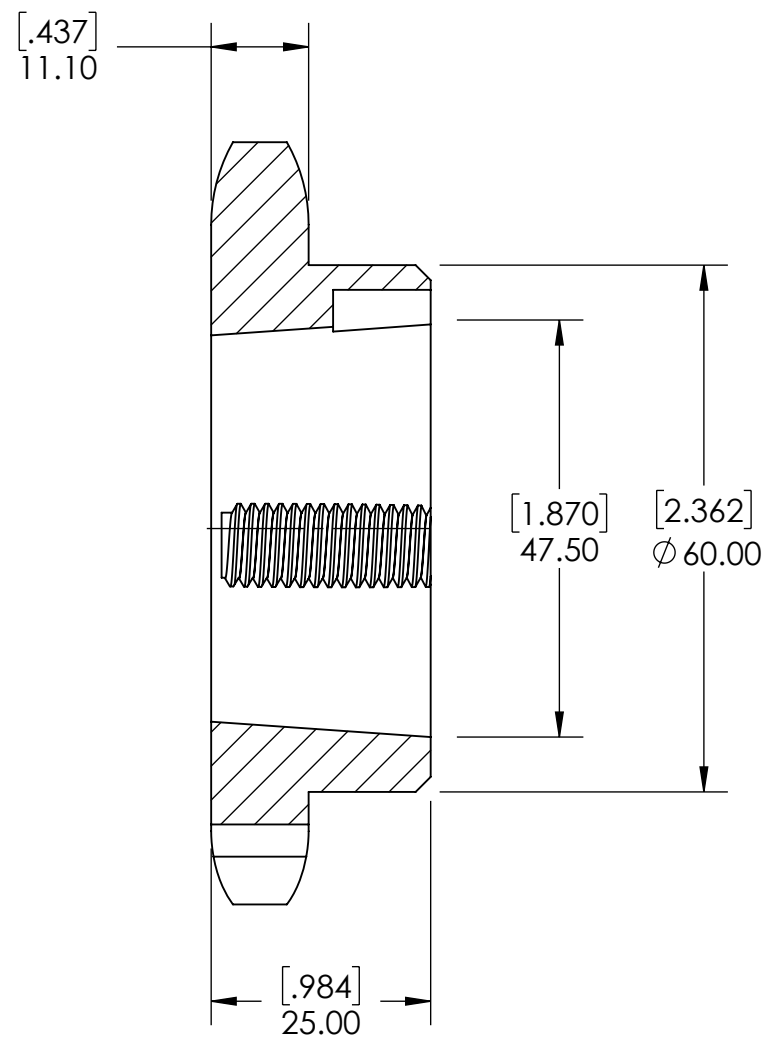
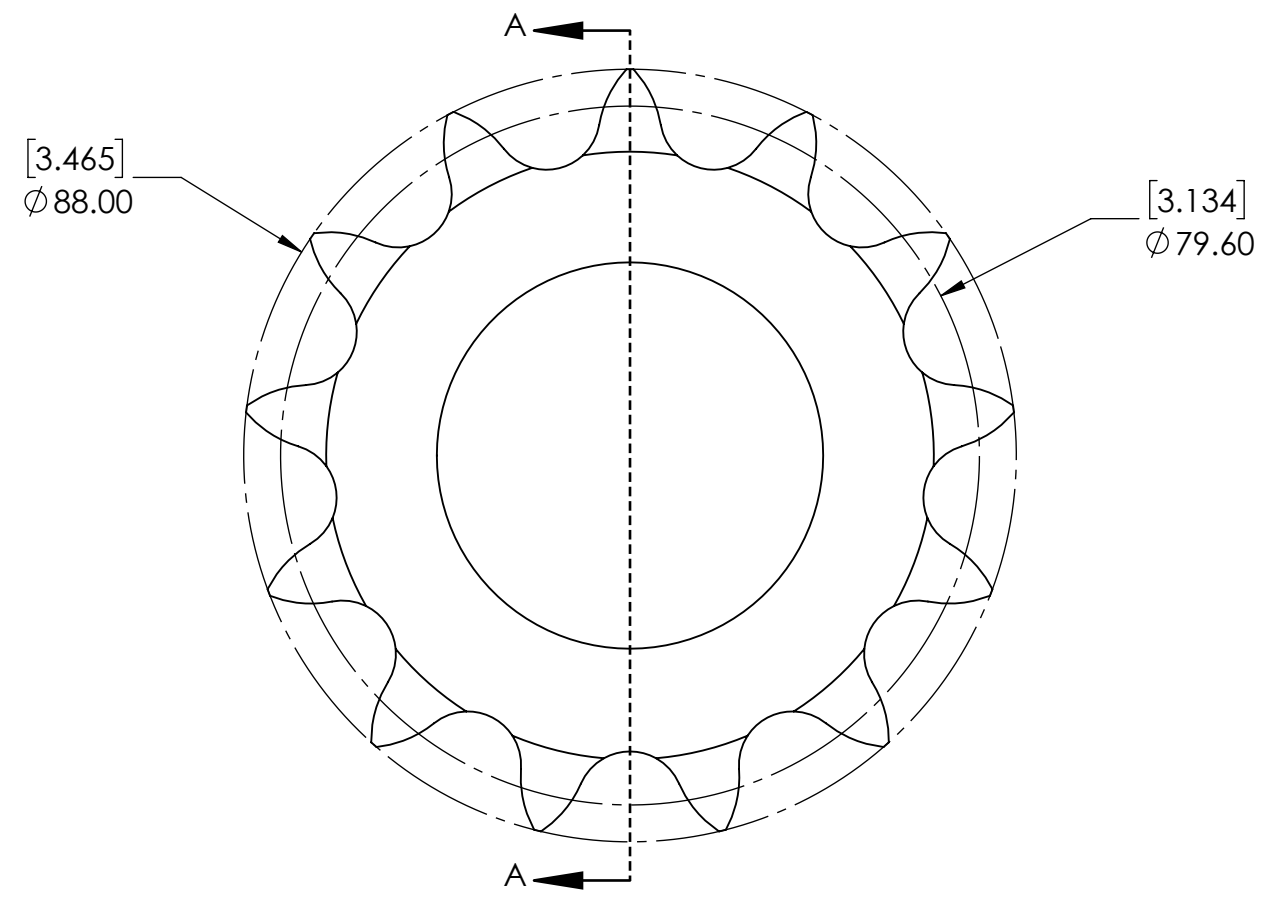


9 8 7 6 5 4 3 2 1

G
F
E
D
C
B
A

G
F
E
D
C
B
A



SECTION A-A

NOTES:
1. HARDENED TEETH.

SPROCKETS SPECIFICATIONS		WEIGHT		DATE		BY		REVISION DESCRIPTION		REV
UNITS	mm (INCH)	0.78 LBS								SCALE
CHAIN SIZE	12B	MATERIAL	STEEL							1:1
PITCH	19.05 mm	COATING	BLACK OXIDE							REV
INNER WIDTH	11.68 mm	DRAWN	SEC 07/21/2025							-
ROLLER DIA.	12.07 mm	CHECKED	SEC 07/28/2025							
TOOTH WIDTH	11.10 mm	APPROVED								
NUMBER OF TEETH	13	THIRD ANGLE PROJECTION								
HUB STYLE	B	DWG. NO.								
BORE TYPE	FOR TAPER BUSHING	PTI		PROPRIETARY AND CONFIDENTIAL		ITEM DESCRIPTION:				
BUSHING NUMBER	1210	12B-13HTL-1210		THE INFORMATION CONTAINED IN THIS DRAWING IS THE SOLE PROPERTY OF SOLVE IMG. ANY REPRODUCTION IN PART OR AS A WHOLE WITHOUT THE WRITTEN PERMISSION OF SOLVE IMG IS PROHIBITED.						

9 8 7 6 5 4 3 2 1