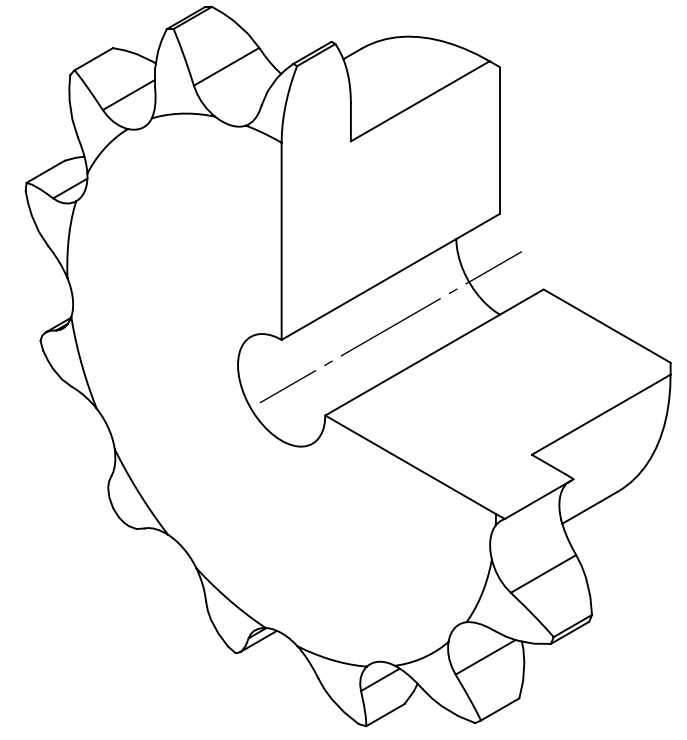
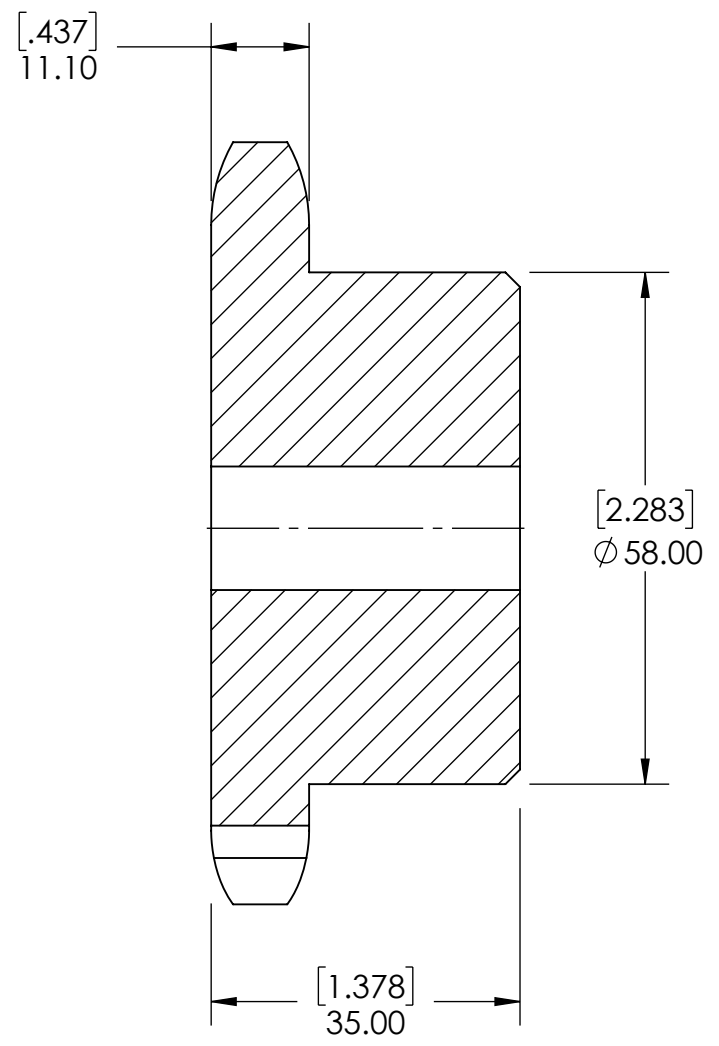
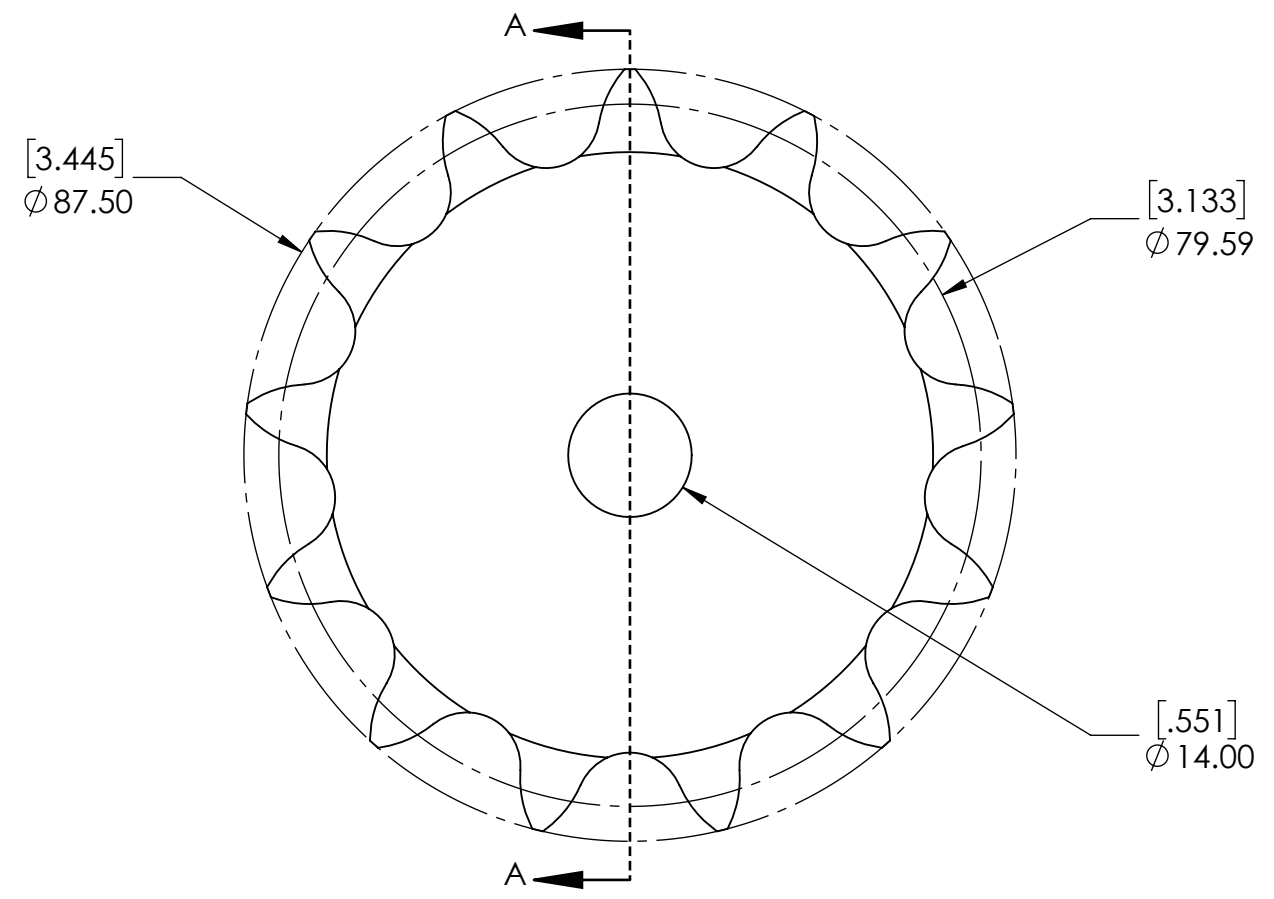


9 8 7 6 5 4 3 2 1

G  
F  
E  
D  
C  
B  
A

G  
F  
E  
D  
C  
B  
A



SECTION A-A

NOTES:  
1. HARDENED TEETH.

SPROCKETS SPECIFICATIONS		WEIGHT		DATE		BY		REVISION DESCRIPTION		REV
UNITS	mm (INCH)	1.83 LBS								
CHAIN SIZE	12B	MATERIAL	STEEL							
PITCH	19.05 mm	COATING	BLACK OXIDE	DRAWN		SEC 08/18/2025				
INNER WIDTH	11.68 mm	CHECKED	DH	08/18/2025						
ROLLER DIA.	12.07 mm	APPROVED								
TOOTH WIDTH	11.10 mm									
NUMBER OF TEETH	13									
HUB STYLE	B	DWG. NO.								
BORE TYPE	PLAIN BORE	PTI		<small>THE INFORMATION CONTAINED IN THIS DRAWING IS THE SOLE PROPERTY OF SOLVE IMG. ANY REPRODUCTION IN PART OR AS A WHOLE WITHOUT THE WRITTEN PERMISSION OF SOLVE IMG IS PROHIBITED.</small>		ITEM DESCRIPTION:		12B-13BH		SCALE
BUSHING NUMBER	N/A									1:1
										REV
										-

9 8 7 6 5 4 3 2 1