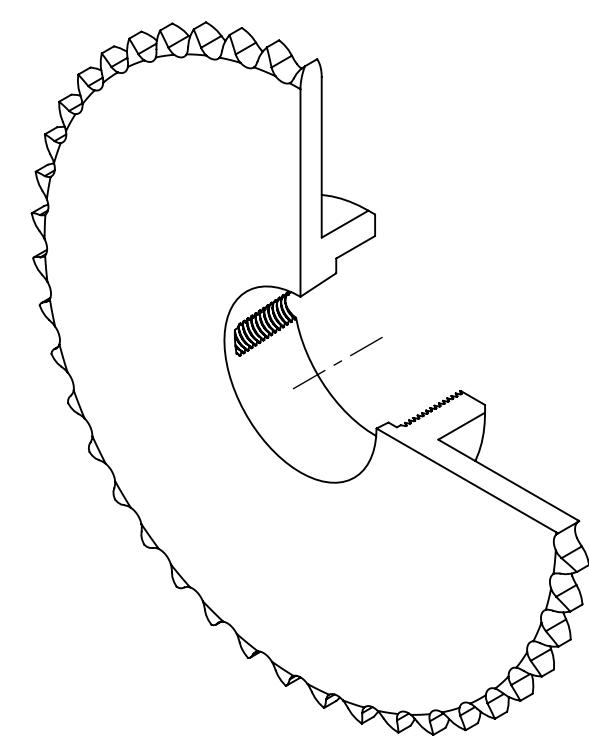
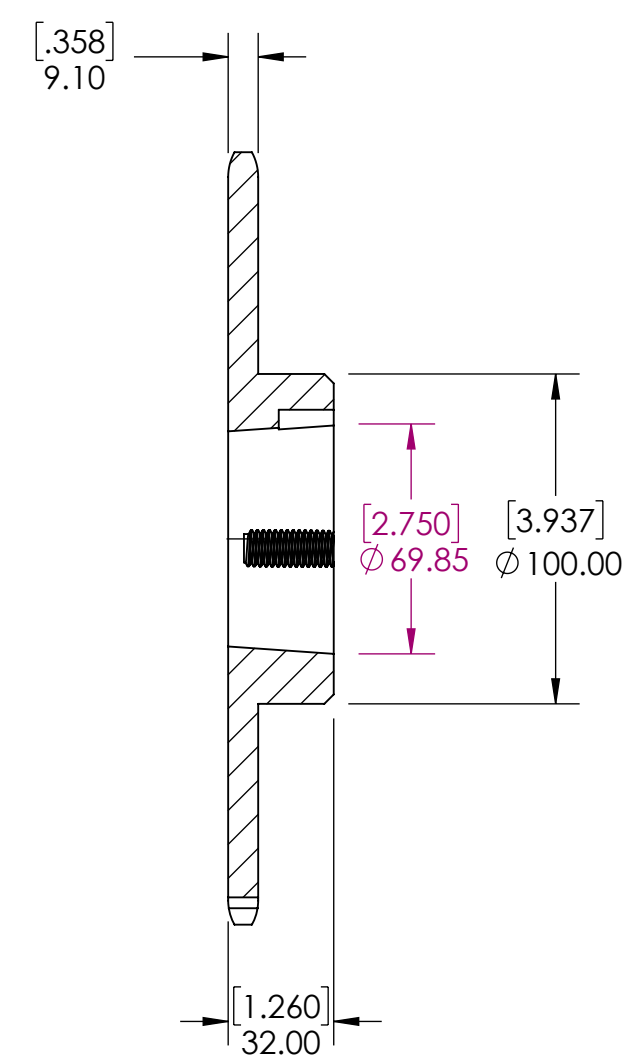
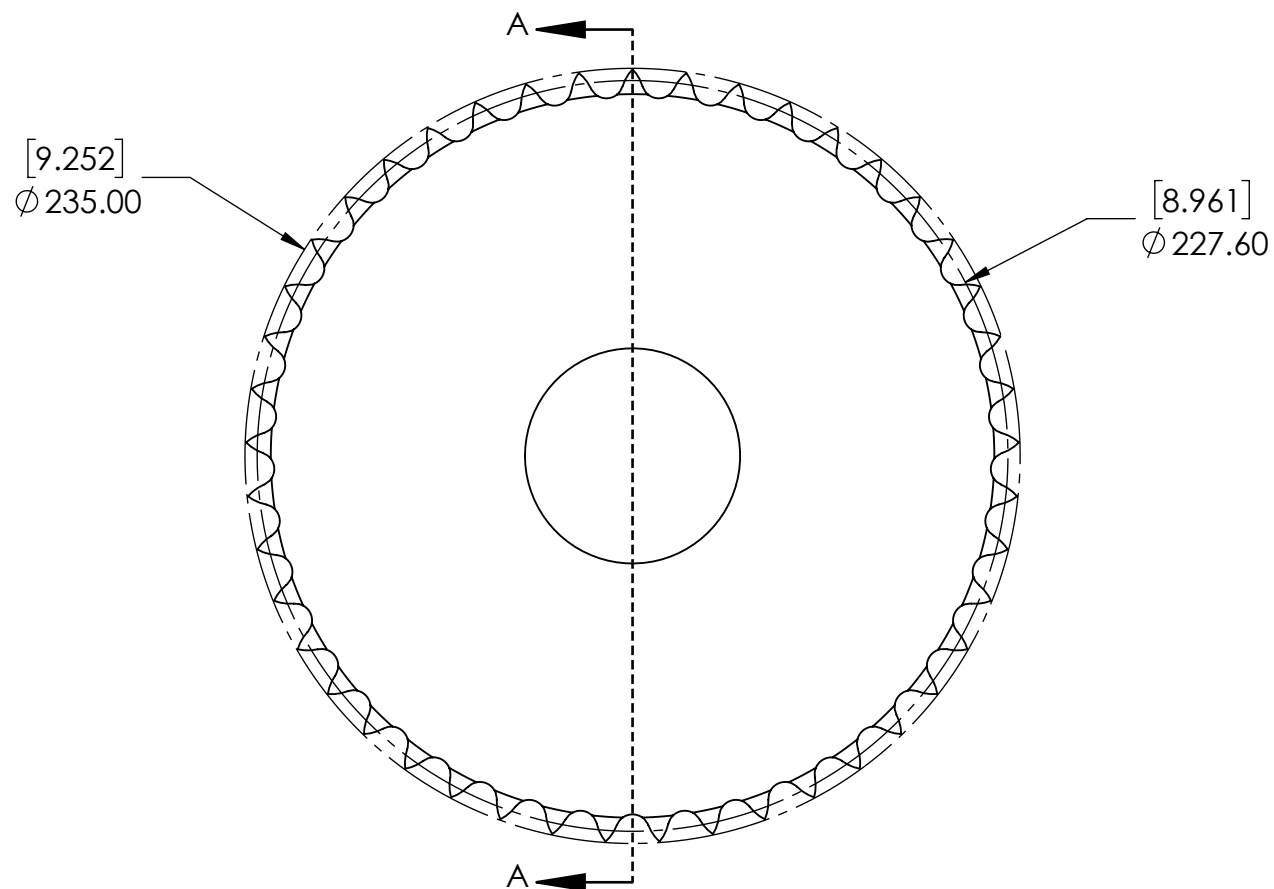


9 8 7 6 5 4 3 2 1

G F E D C B A



SECTION A-A

SPROCKETS SPECIFICATIONS		WEIGHT		DATE		BY		REVISION DESCRIPTION		REV
UNITS	mm (INCH)	7.22 LBS								SCALE
CHAIN SIZE	10B	STEEL								1:1
PITCH	15.88 mm	BLACK OXIDE		07/21/2025						REV
INNER WIDTH	9.65 mm	DRAWN		EG						-
ROLLER DIA.	10.16 mm	CHECKED		EG						
TOOTH WIDTH	9.10 mm	APPROVED								
NUMBER OF TEETH	45	THIRD ANGLE PROJECTION								
HUB STYLE	B	DWG. NO.								
BORE TYPE	FOR TAPER BUSHING	10B-45TL-2012								
BUSHING NUMBER	2012	PROPRIETARY AND CONFIDENTIAL								
		THE INFORMATION CONTAINED IN THIS DRAWING IS THE SOLE PROPERTY OF SOLVE IMG. ANY REPRODUCTION IN PART OR AS A WHOLE WITHOUT THE WRITTEN PERMISSION OF SOLVE IMG IS PROHIBITED.								

9 8 7 6 5 4 3 2 1

A B C D E F G