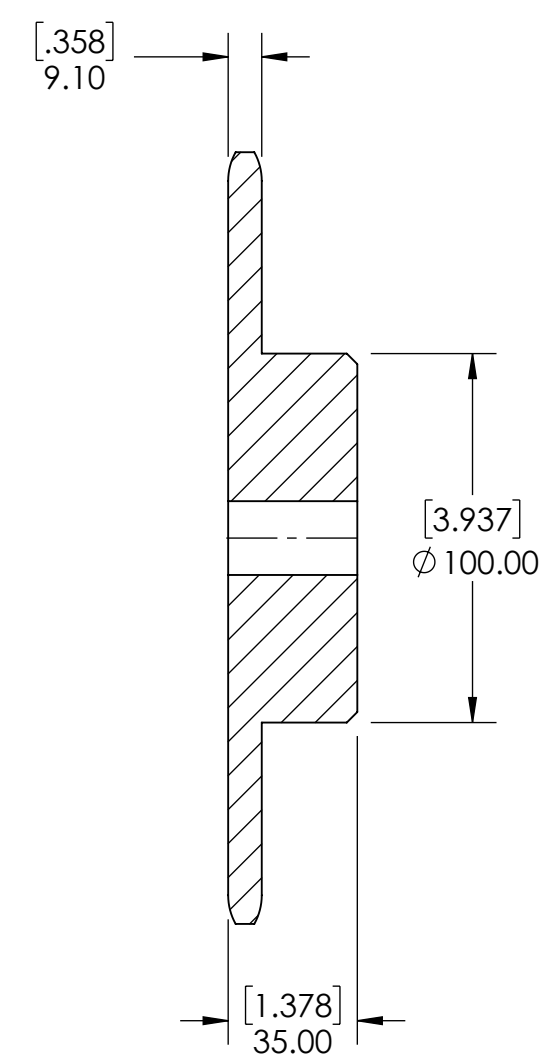
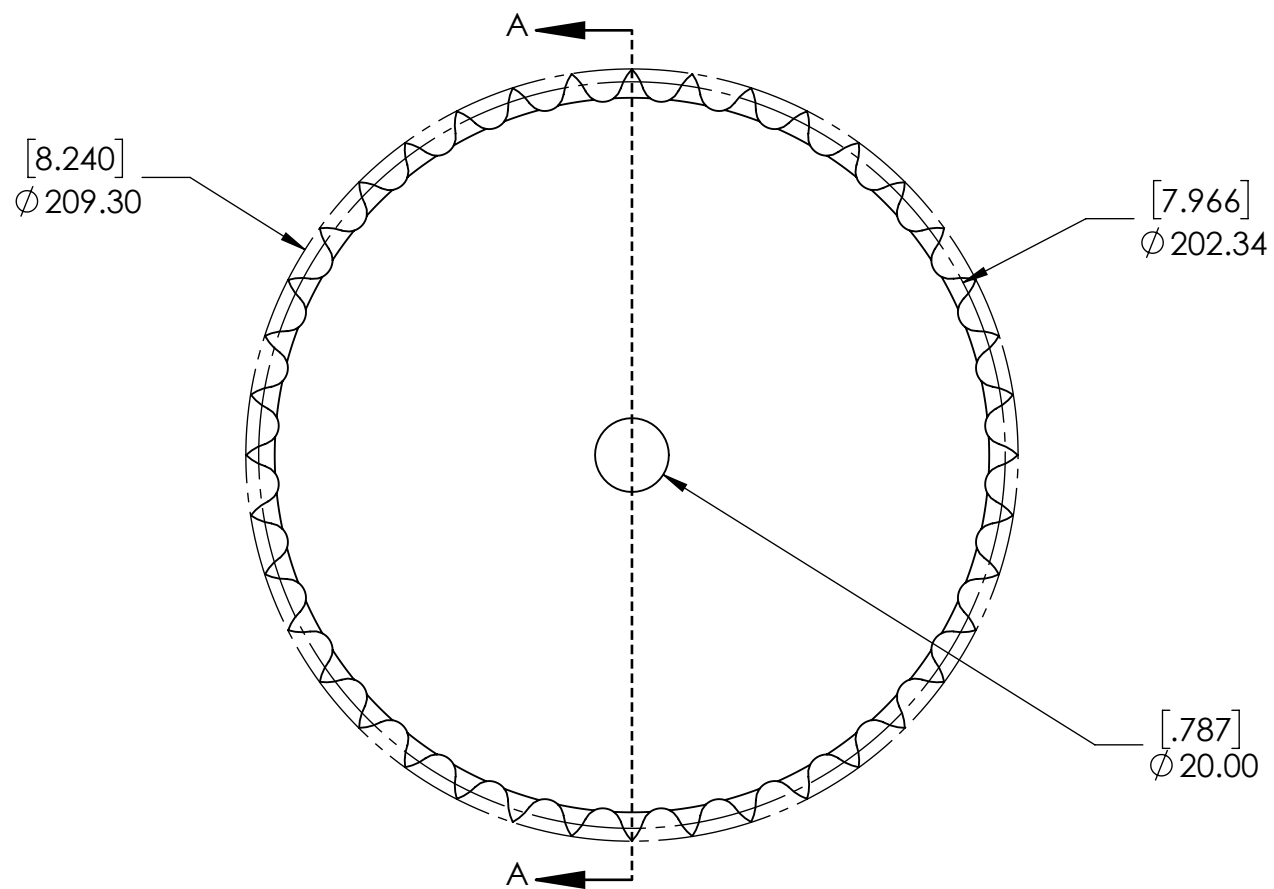


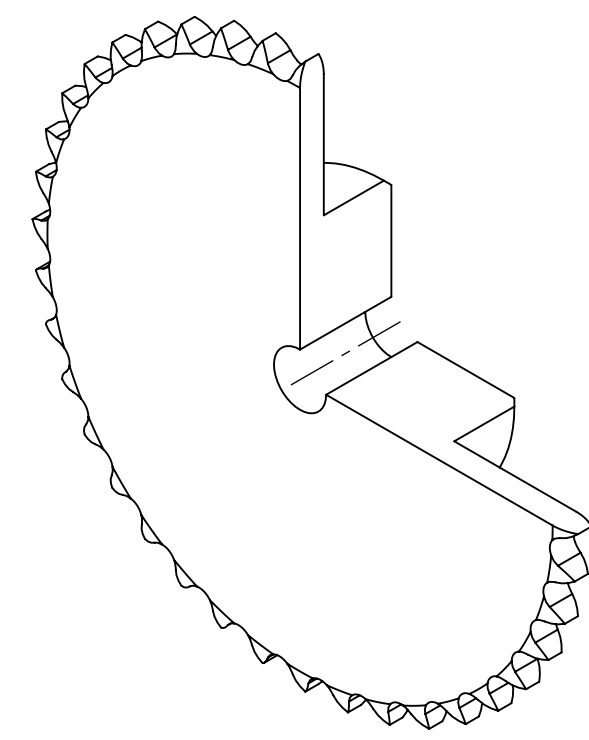
9 8 7 6 5 4 3 2 1

G
F
E
D
C
B
A

G
F
E
D
C
B
A



SECTION A-A



SPROCKETS SPECIFICATIONS		WEIGHT		8.15 LBS				
UNITS	mm (INCH)	MATERIAL	STEEL					
CHAIN SIZE	10B	COATING	BLACK OXIDE					
PITCH	15.88 mm	DRAWN	SEC	07/21/2025				
INNER WIDTH	9.65 mm	CHECKED	EG	07/24/2025				
ROLLER DIA.	10.16 mm	APPROVED			DATE	BY	REVISION DESCRIPTION	REV
TOOTH WIDTH	9.10 mm		ITEM DESCRIPTION:					SCALE
NUMBER OF TEETH	40		10B-40B					1:1
HUB STYLE	B	DWG. NO.		PROPRIETARY AND CONFIDENTIAL				REV
BORE TYPE	PLAIN BORE	THE INFORMATION CONTAINED IN THIS DRAWING IS THE SOLE PROPERTY OF SOLVE IMG. ANY REPRODUCTION IN PART OR AS A WHOLE WITHOUT THE WRITTEN PERMISSION OF SOLVE IMG IS PROHIBITED.						-
BUSHING NUMBER	N/A							

9 8 7 6 5 4 3 2 1