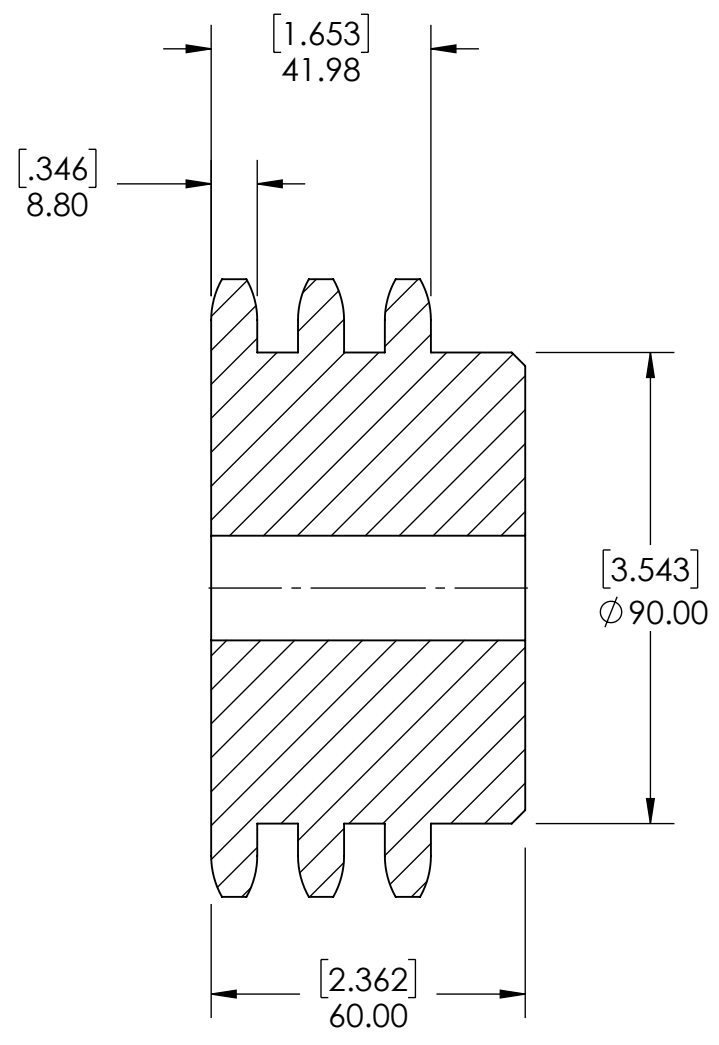
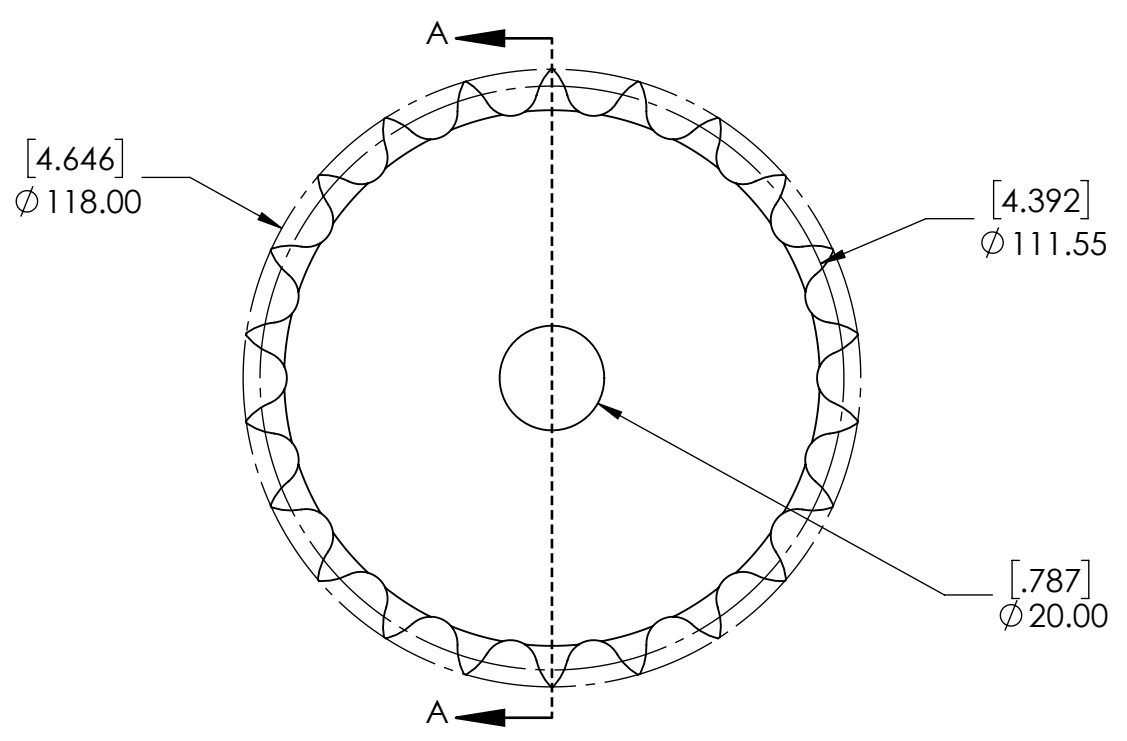


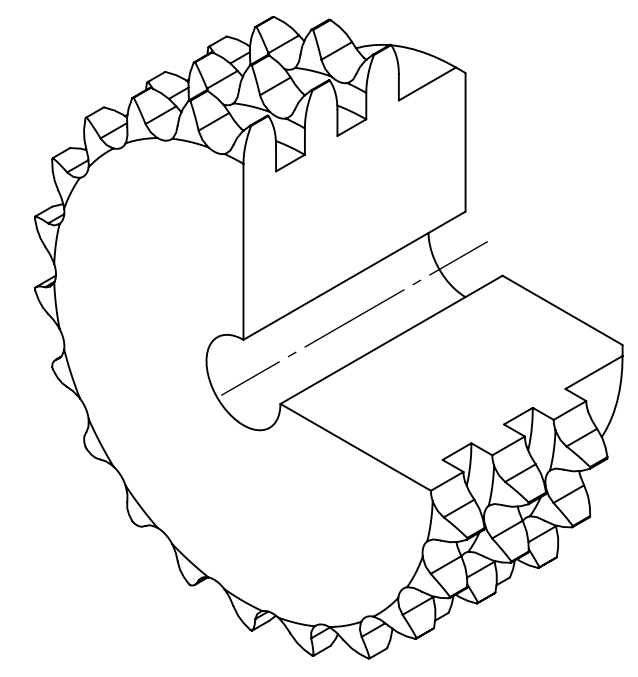
9 8 7 6 5 4 3 2 1

G
F
E
D
C
B
A

G
F
E
D
C
B
A



SECTION A-A



| SPROCKETS SPECIFICATIONS | | WEIGHT | | DATE | | BY | | REVISION DESCRIPTION | | REV |
|--------------------------|------------|----------|-------------|--|--|-------------------|--|----------------------|--|-------|
| UNITS | mm (INCH) | 7.47 LBS | | | | | | | | |
| CHAIN SIZE | 10B | MATERIAL | STEEL | | | | | | | |
| PITCH | 15.88 mm | COATING | BLACK OXIDE | | | | | | | |
| INNER WIDTH | 9.65 mm | DRAWN | SEC | 07/30/2025 | | | | | | |
| ROLLER DIA. | 10.16 mm | CHECKED | EG | 07/30/2025 | | | | | | |
| TOOTH WIDTH | 8.80 mm | APPROVED | | | | | | | | |
| NUMBER OF TEETH | 22 | | | | | | | | | |
| HUB STYLE | B | | | | | | | | | |
| BORE TYPE | PLAIN BORE | | | | | | | | | |
| BUSHING NUMBER | N/A | | | | | | | | | |
| | | | | | | | | | | |
| | | | | | | | | | | |
| | | DWG. NO. | | | | | | | | |
| | | | | | | | | | | |
| | | | | <p>PROPRIETARY AND CONFIDENTIAL THE INFORMATION CONTAINED IN THIS DRAWING IS THE SOLE PROPERTY OF SOLVE IMG. ANY REPRODUCTION IN PART OR AS A WHOLE WITHOUT THE WRITTEN PERMISSION OF SOLVE IMG IS PROHIBITED.</p> | | | | | | |
| | | | | | | ITEM DESCRIPTION: | | 10B-3-22B | | SCALE |
| | | | | | | | | | | 1:1 |
| | | | | | | | | | | REV |
| | | | | | | | | | | - |

9 8 7 6 5 4 3 2 1