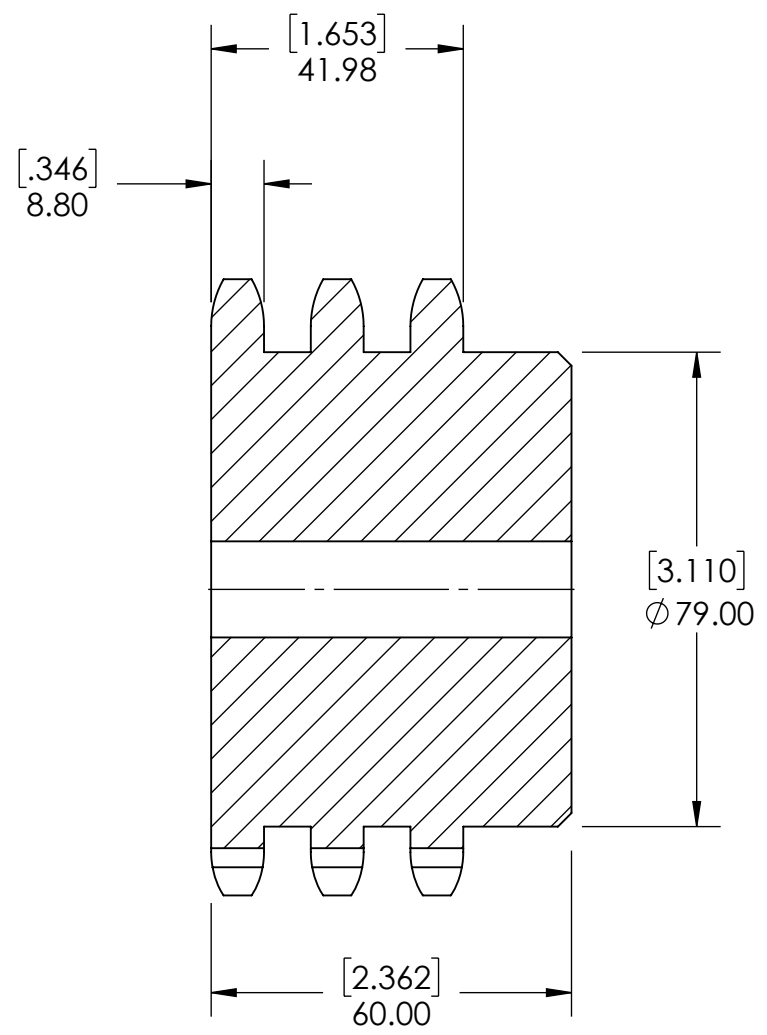
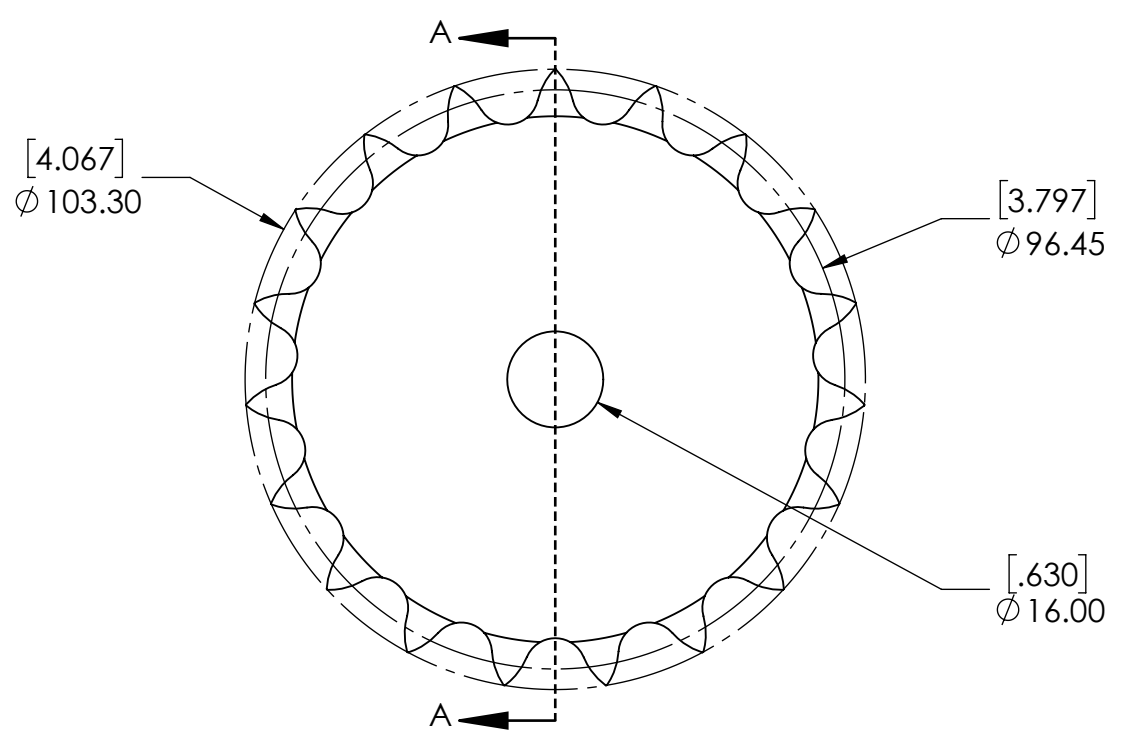


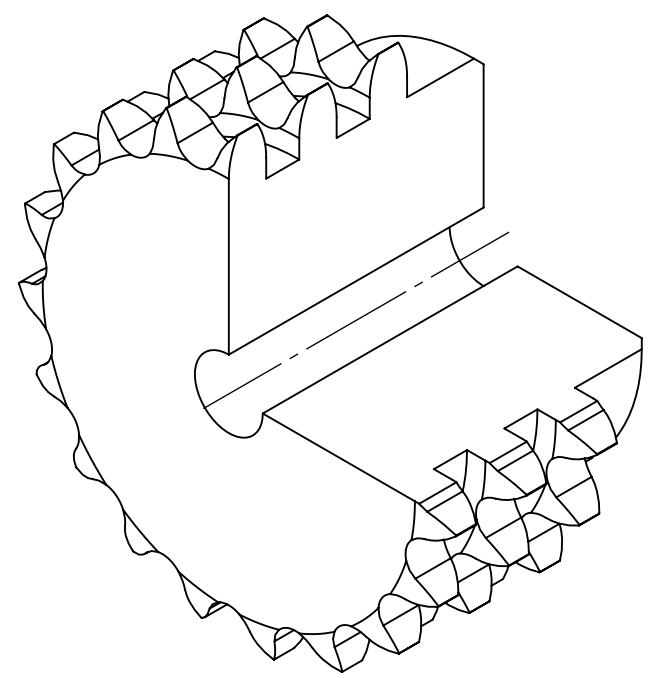
9 8 7 6 5 4 3 2 1

G  
F  
E  
D  
C  
B  
A

G  
F  
E  
D  
C  
B  
A



SECTION A-A



SPROCKETS SPECIFICATIONS		WEIGHT		DATE		BY		REVISION DESCRIPTION		REV
UNITS	mm (INCH)	5.67 LBS								
CHAIN SIZE	10B	STEEL								
PITCH	15.88 mm	BLACK OXIDE		07/30/2025						
INNER WIDTH	9.65 mm	DRAWN		EG						
ROLLER DIA.	10.16 mm	CHECKED		EG						
TOOTH WIDTH	8.80 mm	APPROVED								
NUMBER OF TEETH	19									
HUB STYLE	B									
BORE TYPE	PLAIN BORE	DWG. NO.								
BUSHING NUMBER	N/A									
						PROPRIETARY AND CONFIDENTIAL THE INFORMATION CONTAINED IN THIS DRAWING IS THE SOLE PROPERTY OF SOLVE IMG. ANY REPRODUCTION IN PART OR AS A WHOLE WITHOUT THE WRITTEN PERMISSION OF SOLVE IMG IS PROHIBITED.		ITEM DESCRIPTION:		SCALE
						10B-3-19B				1:1
										-

9 8 7 6 5 4 3 2 1