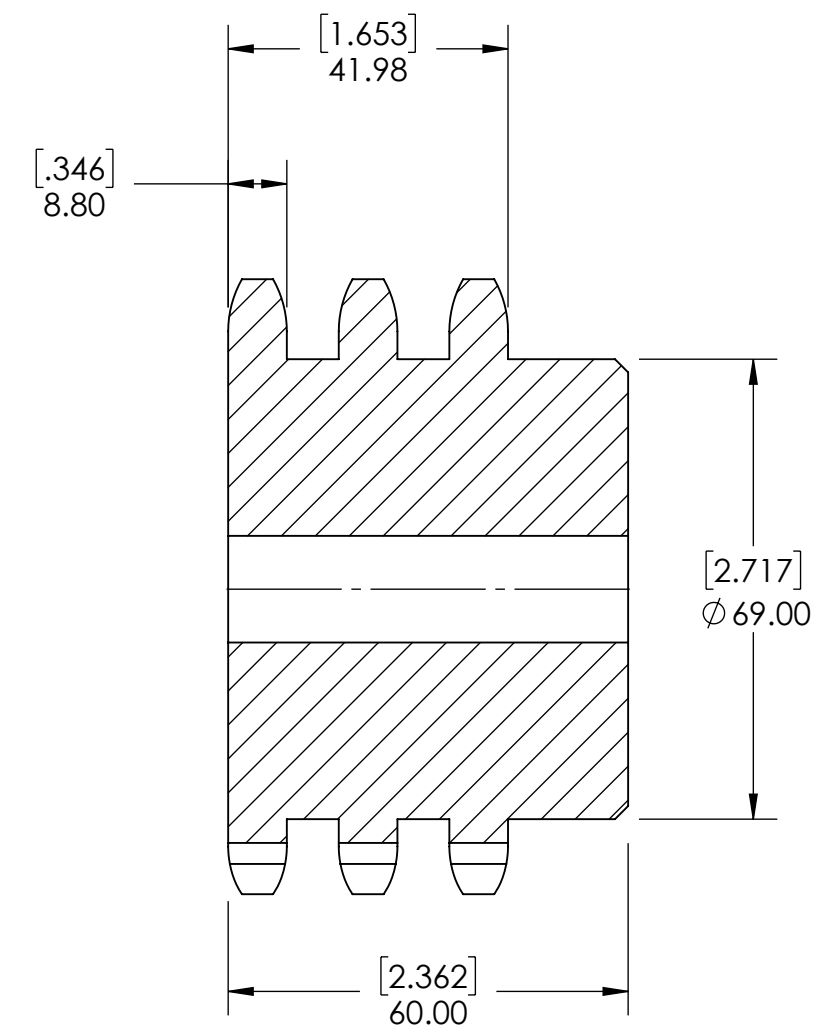
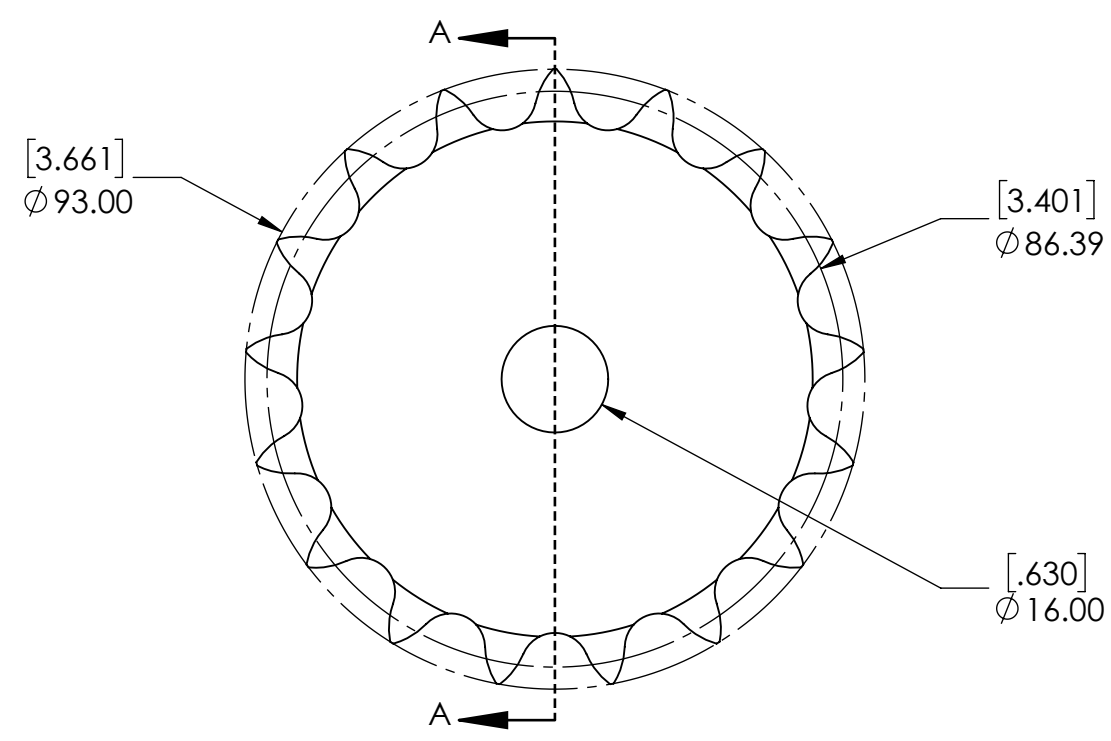


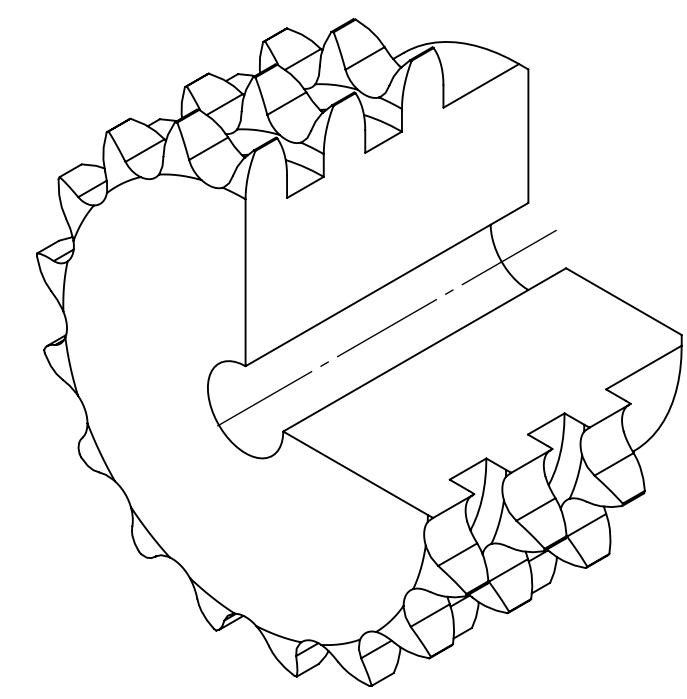
9 8 7 6 5 4 3 2 1

G
F
E
D
C
B
A

G
F
E
D
C
B
A



SECTION A-A



SPROCKETS SPECIFICATIONS		WEIGHT		DATE		BY		REVISION DESCRIPTION		REV
UNITS	mm (INCH)	MATERIAL	4.37 LBS							
CHAIN SIZE	10B	COATING	STEEL							
PITCH	15.88 mm	DRAWN	BLACK OXIDE	SEC	07/30/2025					
INNER WIDTH	9.65 mm	CHECKED		EG	07/30/2025					
ROLLER DIA.	10.16 mm	APPROVED								
TOOTH WIDTH	8.80 mm									
NUMBER OF TEETH	17									
HUB STYLE	B									
BORE TYPE	PLAIN BORE									
BUSHING NUMBER	N/A									
		SIZE		ITEM DESCRIPTION:						SCALE
		B		10B-3-17B						1:1
		DWG. NO.								REV
										-

9 8 7 6 5 4 3 2 1