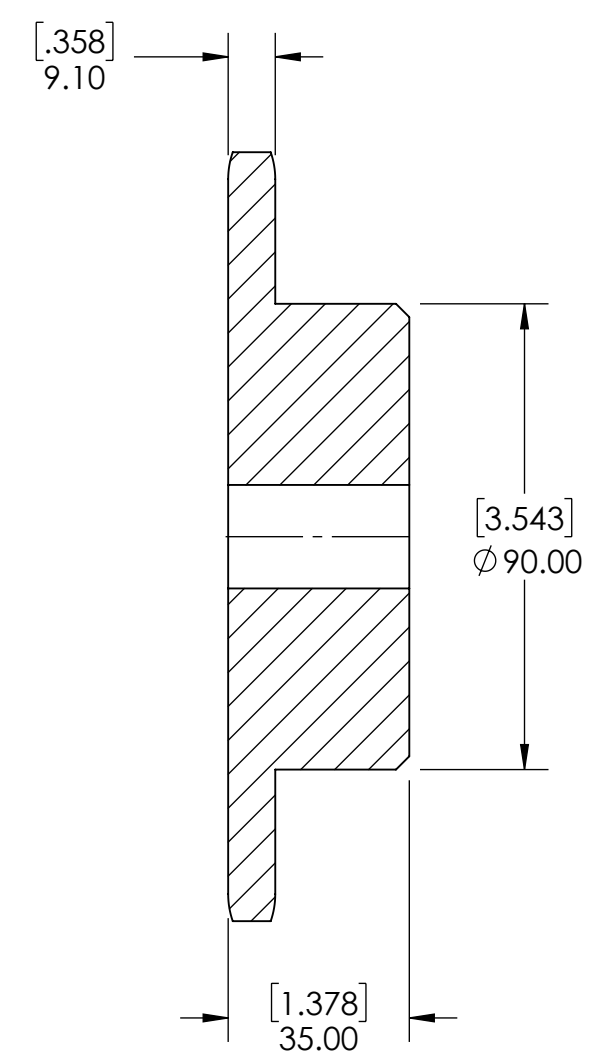
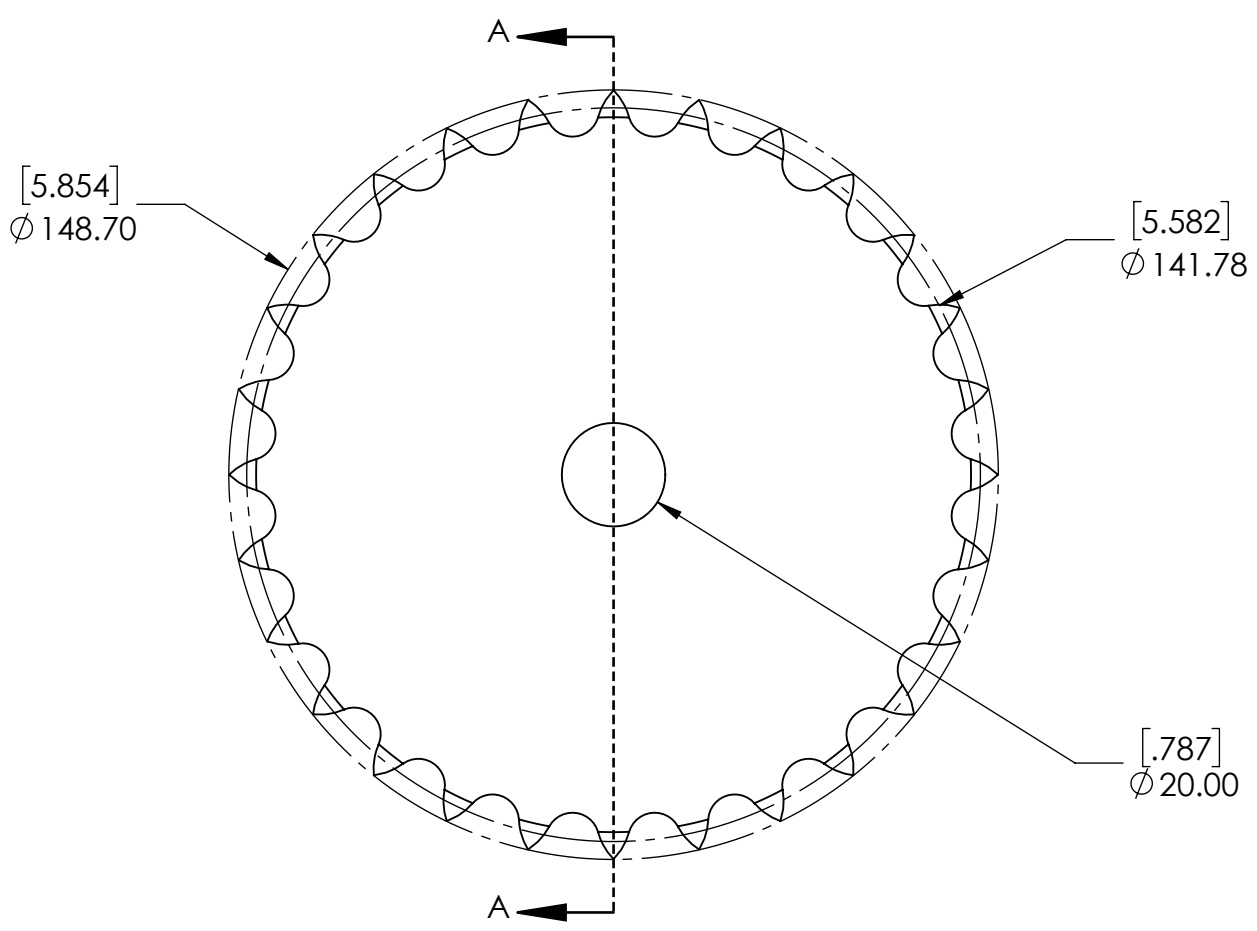
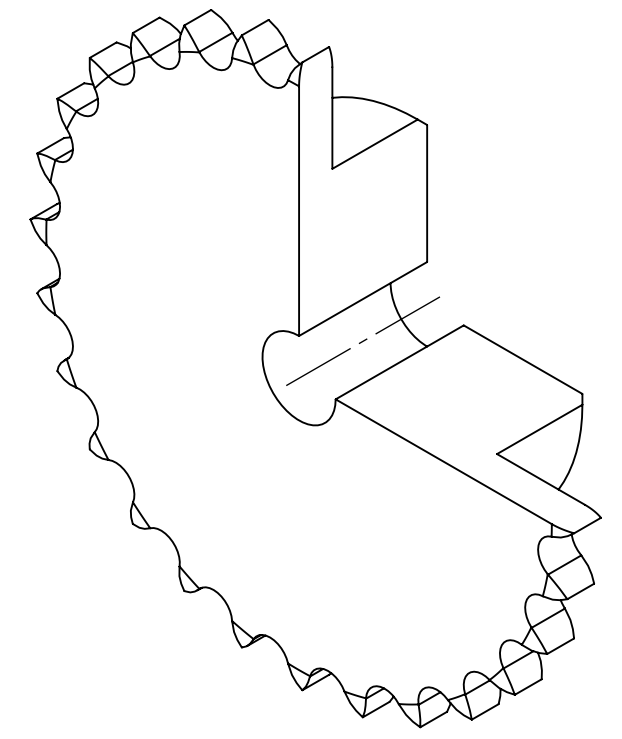


9 8 7 6 5 4 3 2 1

G F E D C B A



SECTION A-A



SPROCKETS SPECIFICATIONS		WEIGHT		DATE		BY		REVISION DESCRIPTION		REV
UNITS	mm (INCH)	4.99 LBS								
CHAIN SIZE	10B	STEEL								
PITCH	15.88 mm	BLACK OXIDE		07/21/2025						
INNER WIDTH	9.65 mm	DRAWN		EG						
ROLLER DIA.	10.16 mm	CHECKED		EG						
TOOTH WIDTH	9.10 mm	APPROVED								
NUMBER OF TEETH	28	THIRD ANGLE PROJECTION								
HUB STYLE	B	DWG. NO.								
BORE TYPE	PLAIN BORE	PTI		PROPRIETARY AND CONFIDENTIAL						
BUSHING NUMBER	N/A	SIZE		THE INFORMATION CONTAINED IN THIS DRAWING IS THE SOLE PROPERTY OF SOLVE IMG. ANY REPRODUCTION IN PART OR AS A WHOLE WITHOUT THE WRITTEN PERMISSION OF SOLVE IMG IS PROHIBITED.						
				ITEM DESCRIPTION:		10B-28B		SCALE		1:1
								REV		-

9 8 7 6 5 4 3 2 1

A