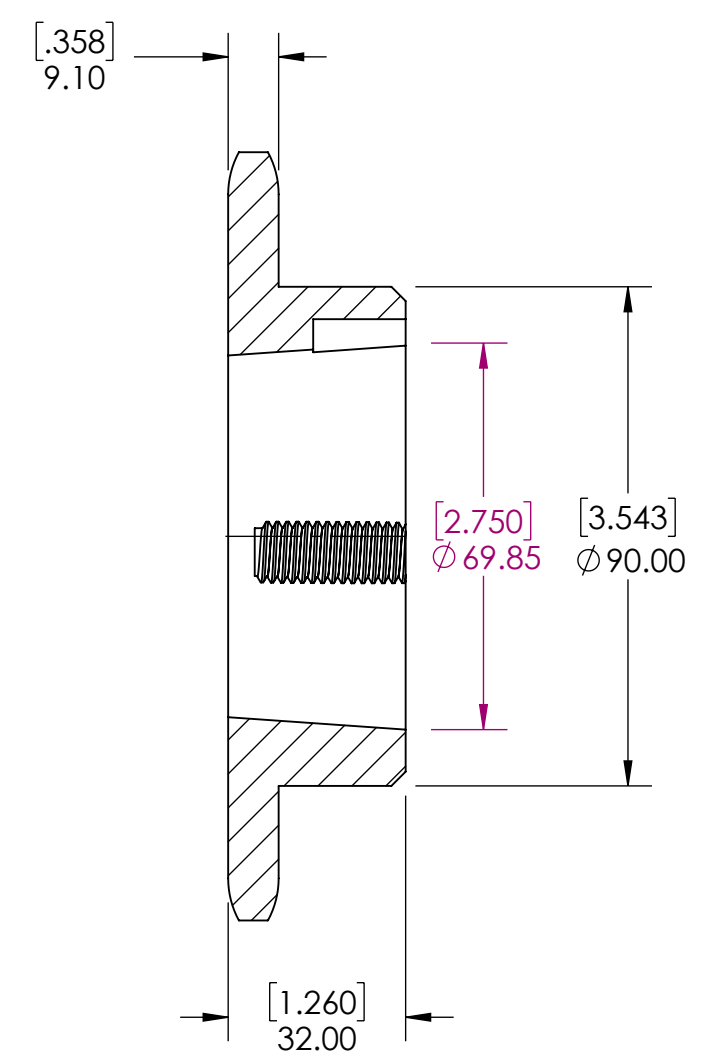
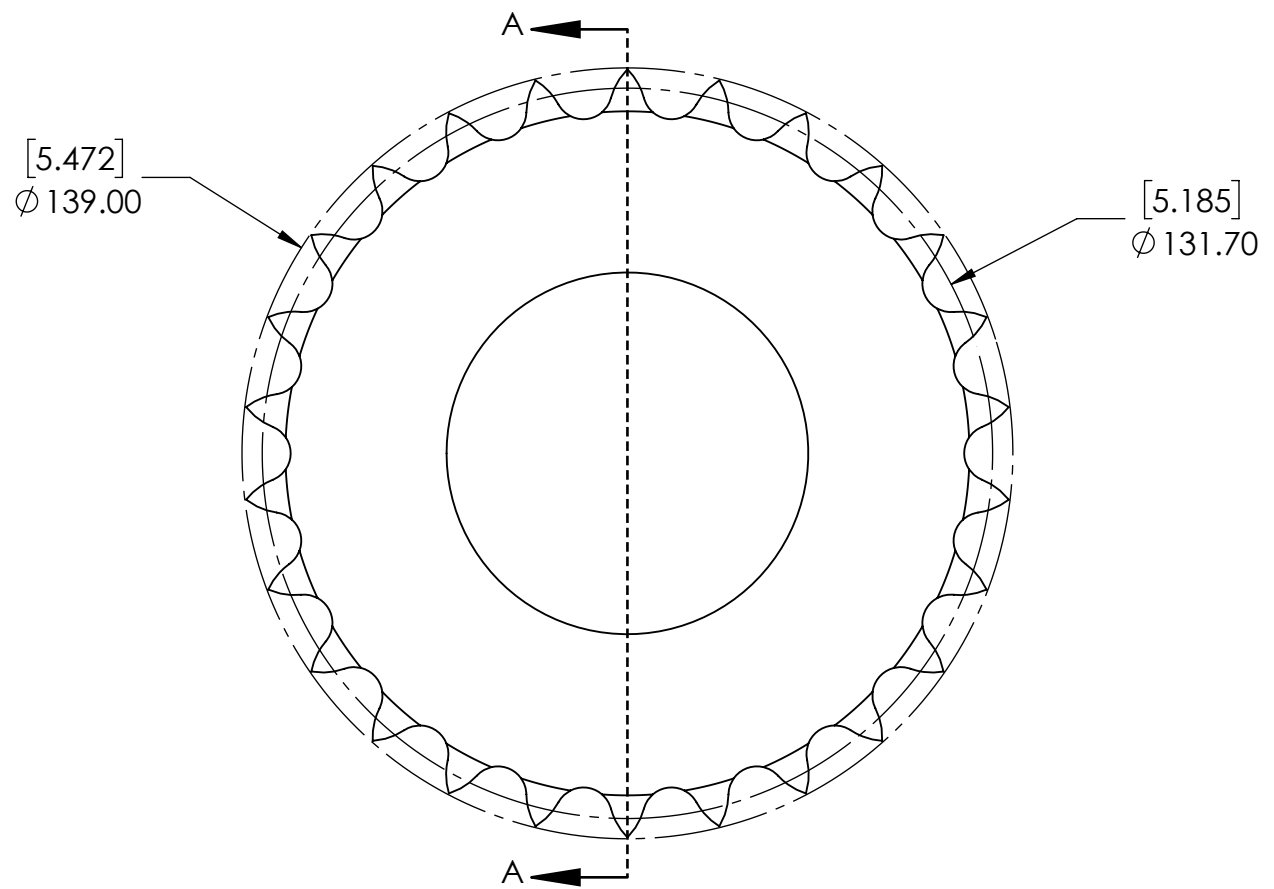


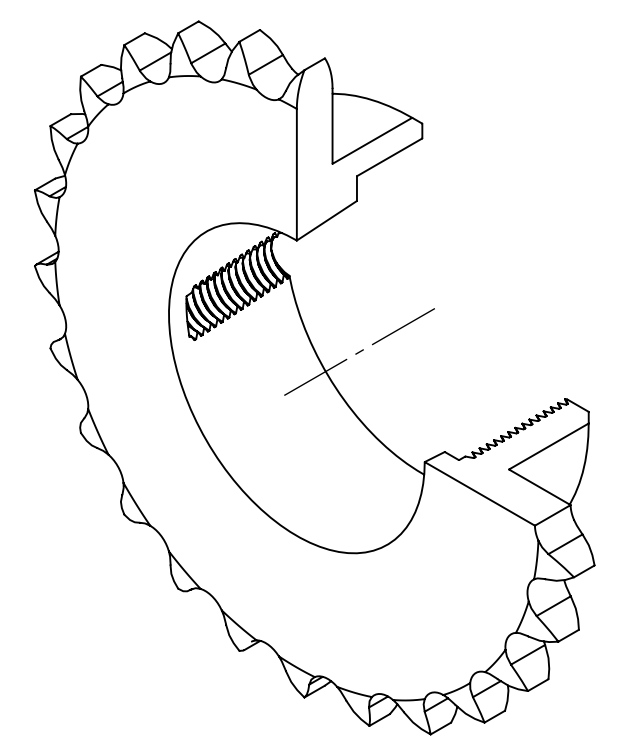
9 8 7 6 5 4 3 2 1

G  
F  
E  
D  
C  
B  
A

G  
F  
E  
D  
C  
B  
A



SECTION A-A



SPROCKETS SPECIFICATIONS		WEIGHT		DATE		REVISION DESCRIPTION		REV
UNITS	mm (INCH)	2.48 LBS						
CHAIN SIZE	10B	MATERIAL	STEEL					
PITCH	15.88 mm	COATING	BLACK OXIDE					
INNER WIDTH	9.65 mm	DRAWN	SEC	07/21/2025				
ROLLER DIA.	10.16 mm	CHECKED	EG	07/23/2025				
TOOTH WIDTH	9.10 mm	APPROVED						
NUMBER OF TEETH	26							
HUB STYLE	B							
BORE TYPE	FOR TAPER BUSHING							
BUSHING NUMBER	2012							

9 8 7 6 5 4 3 2 1