

9 8 7 6 5 4 3 2 1

G G

F F

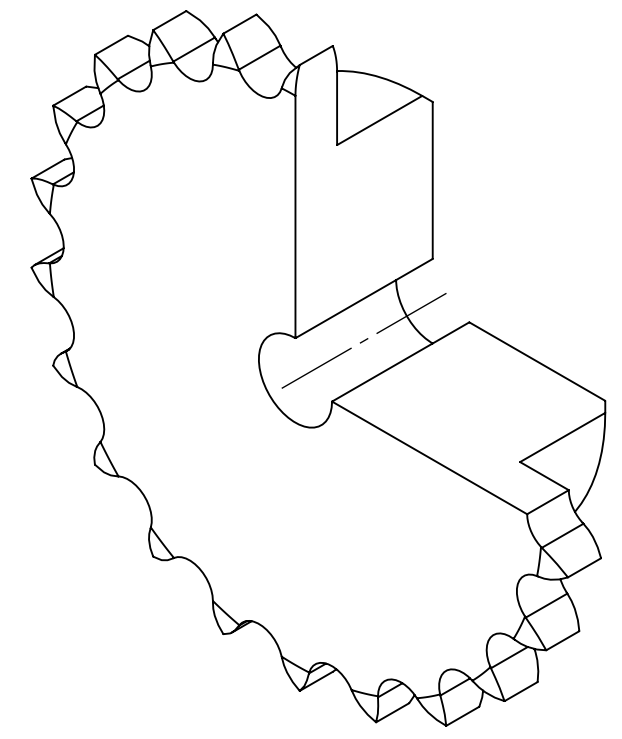
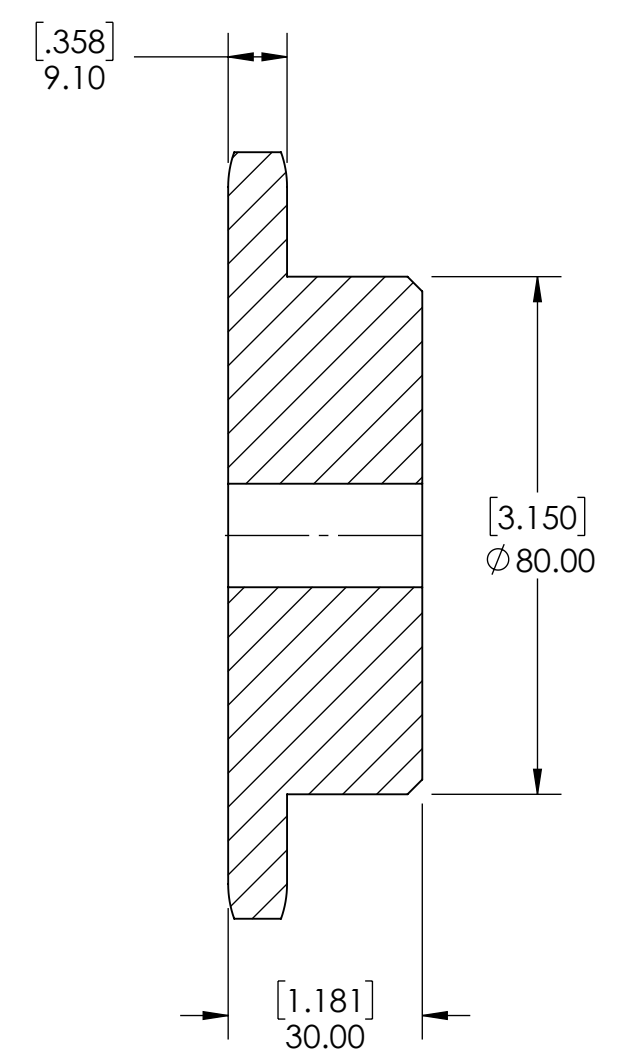
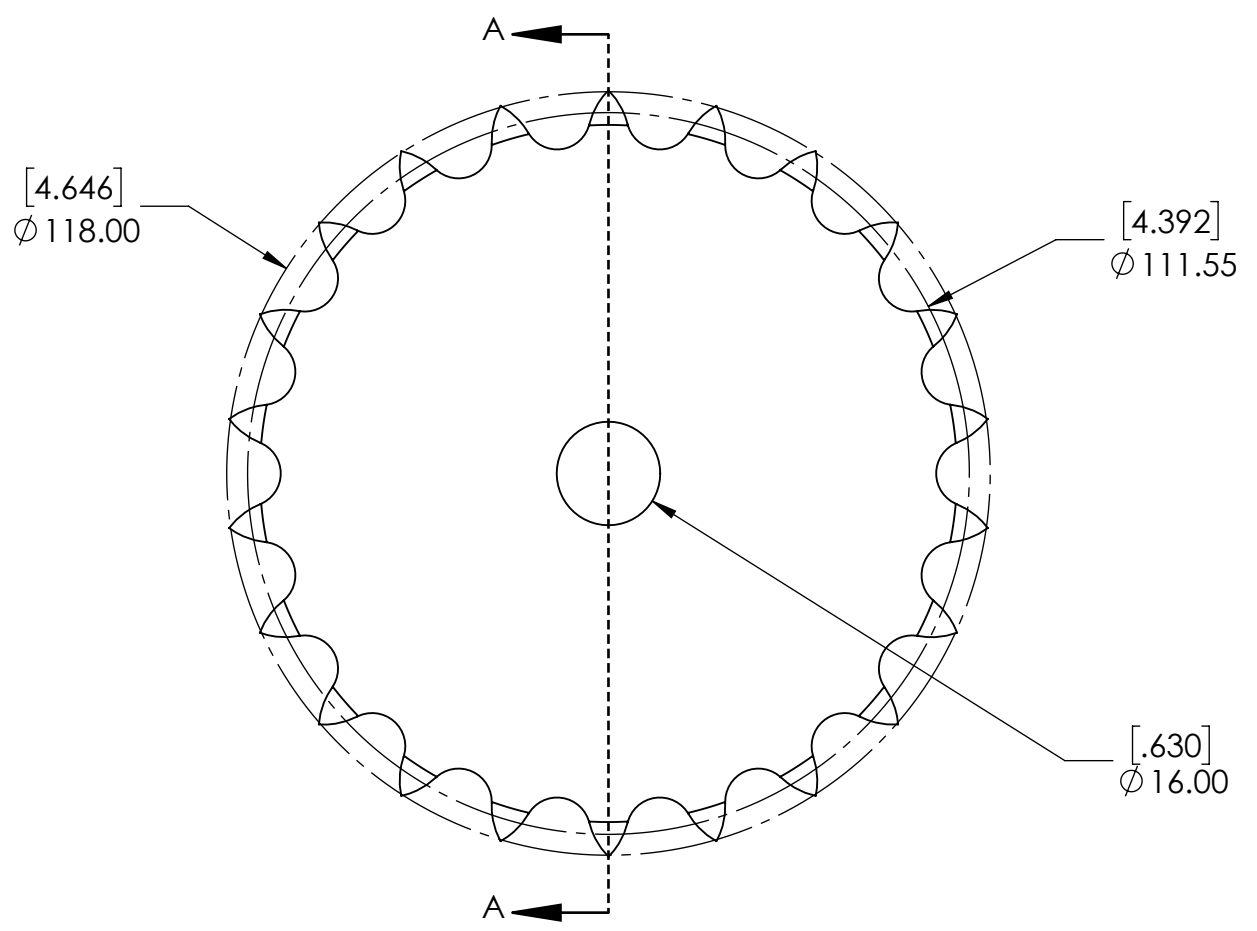
E E

D D

C C

B B

A A



SECTION A-A

| SPROCKETS SPECIFICATIONS |            | WEIGHT          |             | DATE              |  | BY |  | REVISION DESCRIPTION |  | REV   |
|--------------------------|------------|-----------------|-------------|-------------------|--|----|--|----------------------|--|-------|
| UNITS                    | mm (INCH)  | 3.13 LBS        |             |                   |  |    |  |                      |  |       |
| CHAIN SIZE               | 10B        | MATERIAL        | STEEL       |                   |  |    |  |                      |  |       |
| PITCH                    | 15.88 mm   | COATING         | BLACK OXIDE |                   |  |    |  |                      |  |       |
| INNER WIDTH              | 9.65 mm    | DRAWN           | SEC         | 07/21/2025        |  |    |  |                      |  |       |
| ROLLER DIA.              | 10.16 mm   | CHECKED         | EG          | 07/21/2025        |  |    |  |                      |  |       |
| TOOTH WIDTH              | 9.10 mm    | APPROVED        |             |                   |  |    |  |                      |  |       |
| NUMBER OF TEETH          | 22         |                 |             |                   |  |    |  |                      |  |       |
| HUB STYLE                | B          |                 |             |                   |  |    |  |                      |  |       |
| BORE TYPE                | PLAIN BORE |                 |             |                   |  |    |  |                      |  |       |
| BUSHING NUMBER           | N/A        |                 |             |                   |  |    |  |                      |  |       |
|                          |            | SIZE <b>PTI</b> |             | DATE              |  | BY |  | REVISION DESCRIPTION |  | REV   |
|                          |            | DWG. NO.        |             | ITEM DESCRIPTION: |  |    |  |                      |  | SCALE |
|                          |            |                 |             | 10B-22B           |  |    |  |                      |  | 1:1   |
|                          |            |                 |             |                   |  |    |  |                      |  | REV   |
|                          |            |                 |             |                   |  |    |  |                      |  | -     |

9 8 7 6 5 4 3 2 1