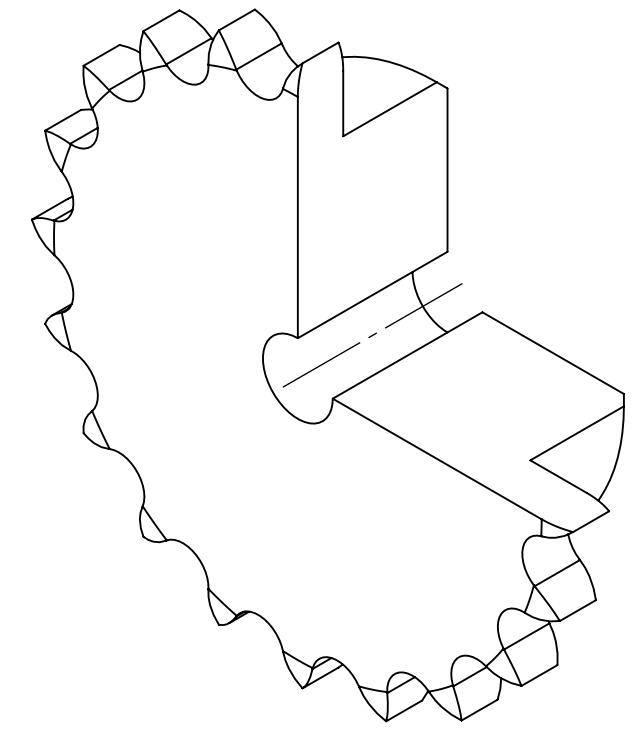
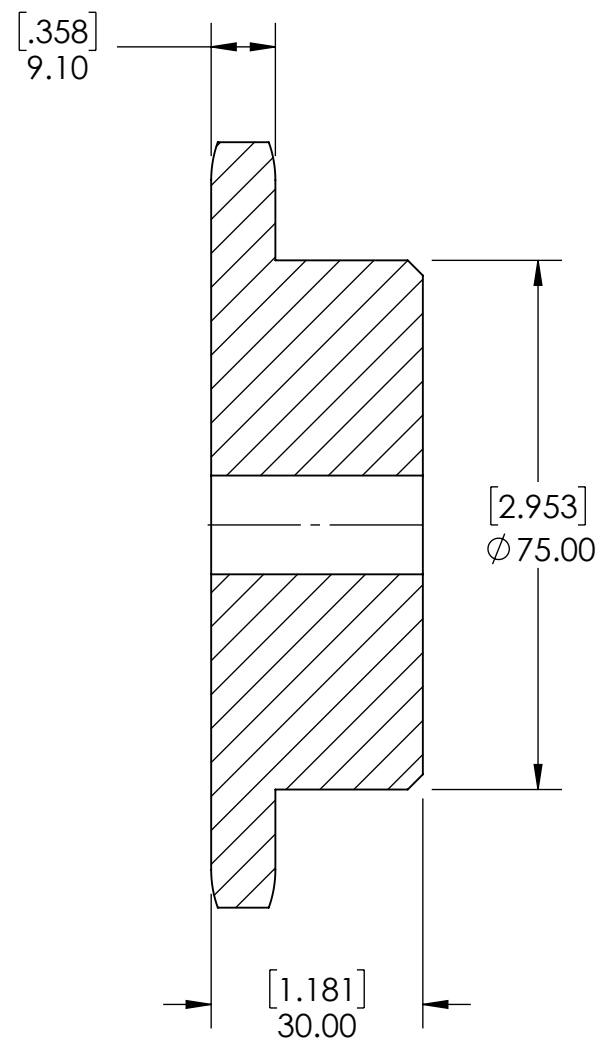
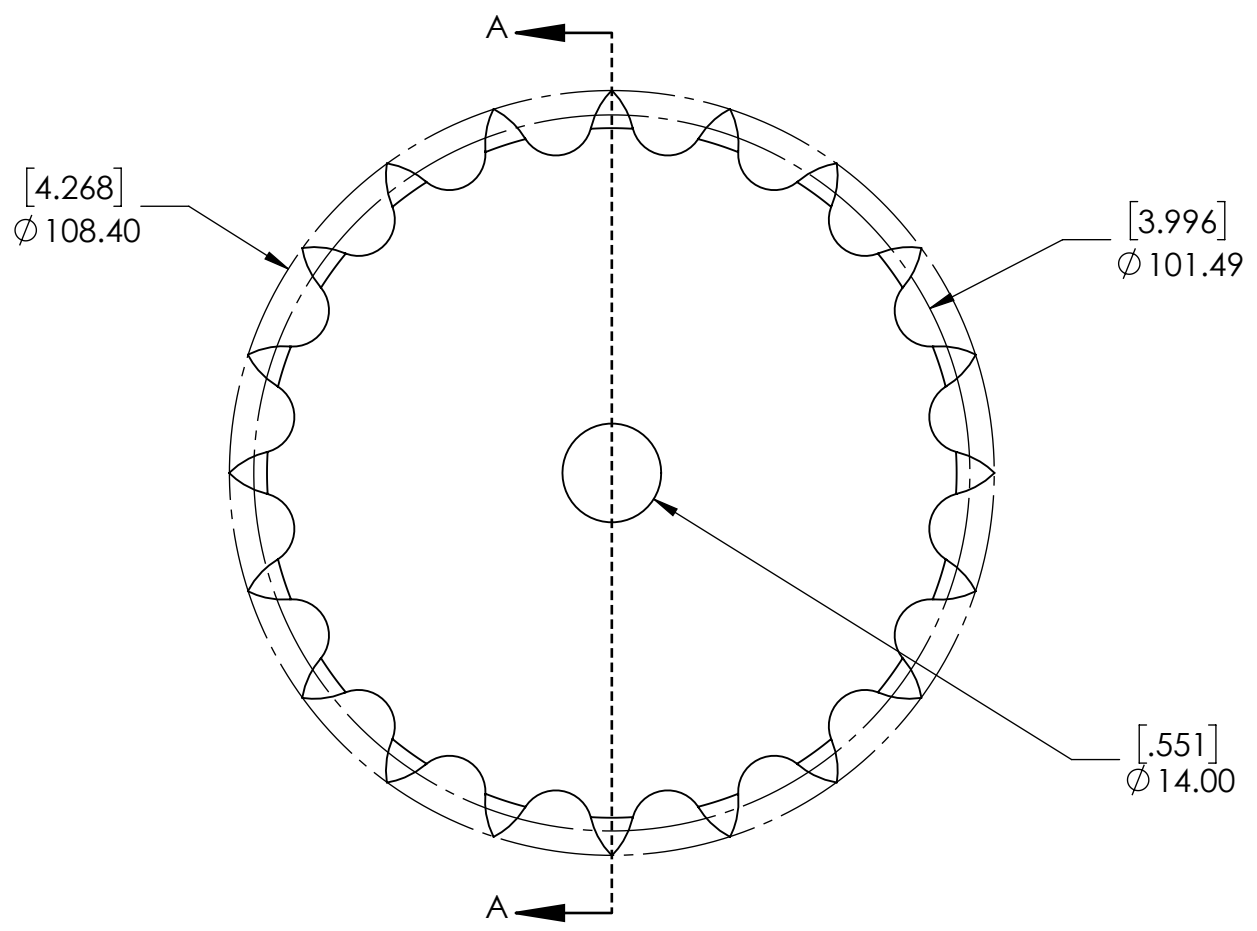


9 8 7 6 5 4 3 2 1

G
F
E
D
C
B
A

G
F
E
D
C
B
A



SECTION A-A

SPROCKETS SPECIFICATIONS		WEIGHT		DATE		BY		REVISION DESCRIPTION		REV
UNITS	mm (INCH)	2.73 LBS								SCALE
CHAIN SIZE	10B	MATERIAL STAINLESS STEEL								1:1
PITCH	15.88 mm	COATING N/A		SEC 07/21/2025						REV
INNER WIDTH	9.65 mm	DRAWN EG		07/21/2025						-
ROLLER DIA.	10.16 mm	CHECKED EG		07/21/2025						
TOOTH WIDTH	9.10 mm	APPROVED								
NUMBER OF TEETH	20	THIRD ANGLE PROJECTION								
HUB STYLE	B	DWG. NO.								
BORE TYPE	PLAIN BORE	PTI		PROPRIETARY AND CONFIDENTIAL						
BUSHING NUMBER	N/A	ITEM DESCRIPTION:		10B-20BSS						

9 8 7 6 5 4 3 2 1