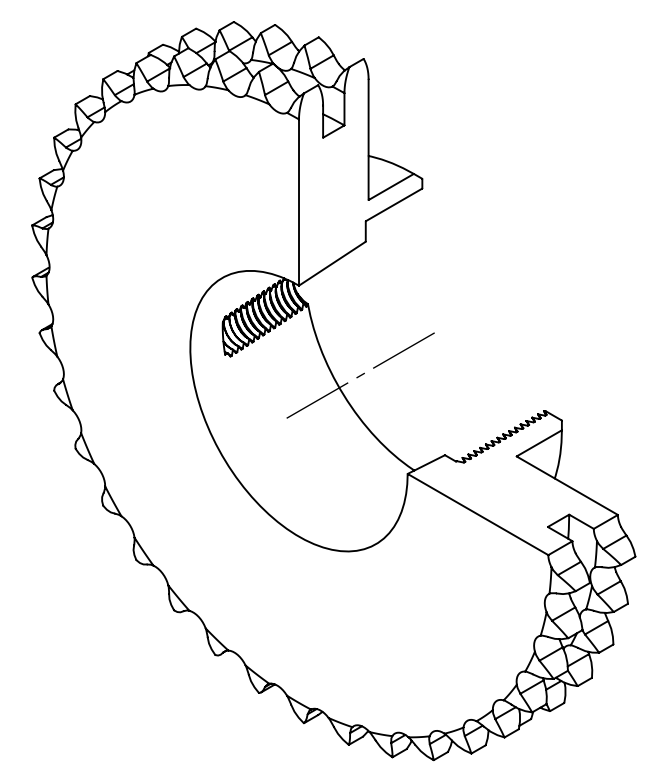
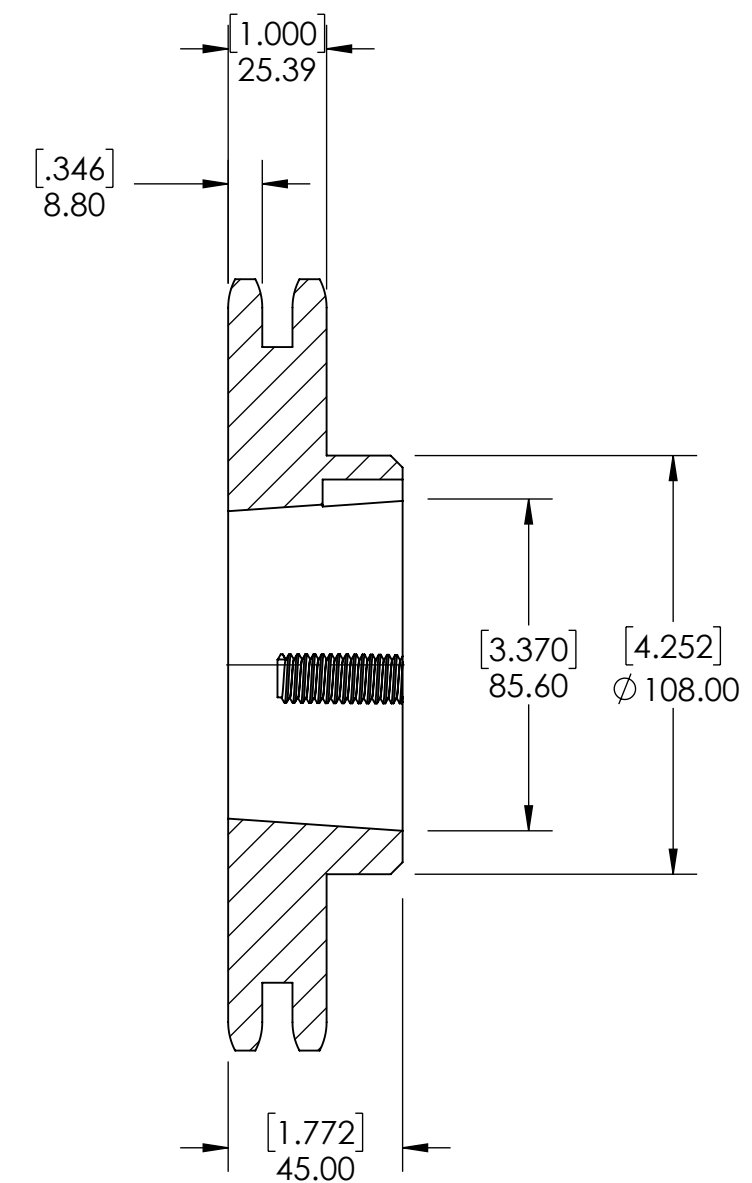
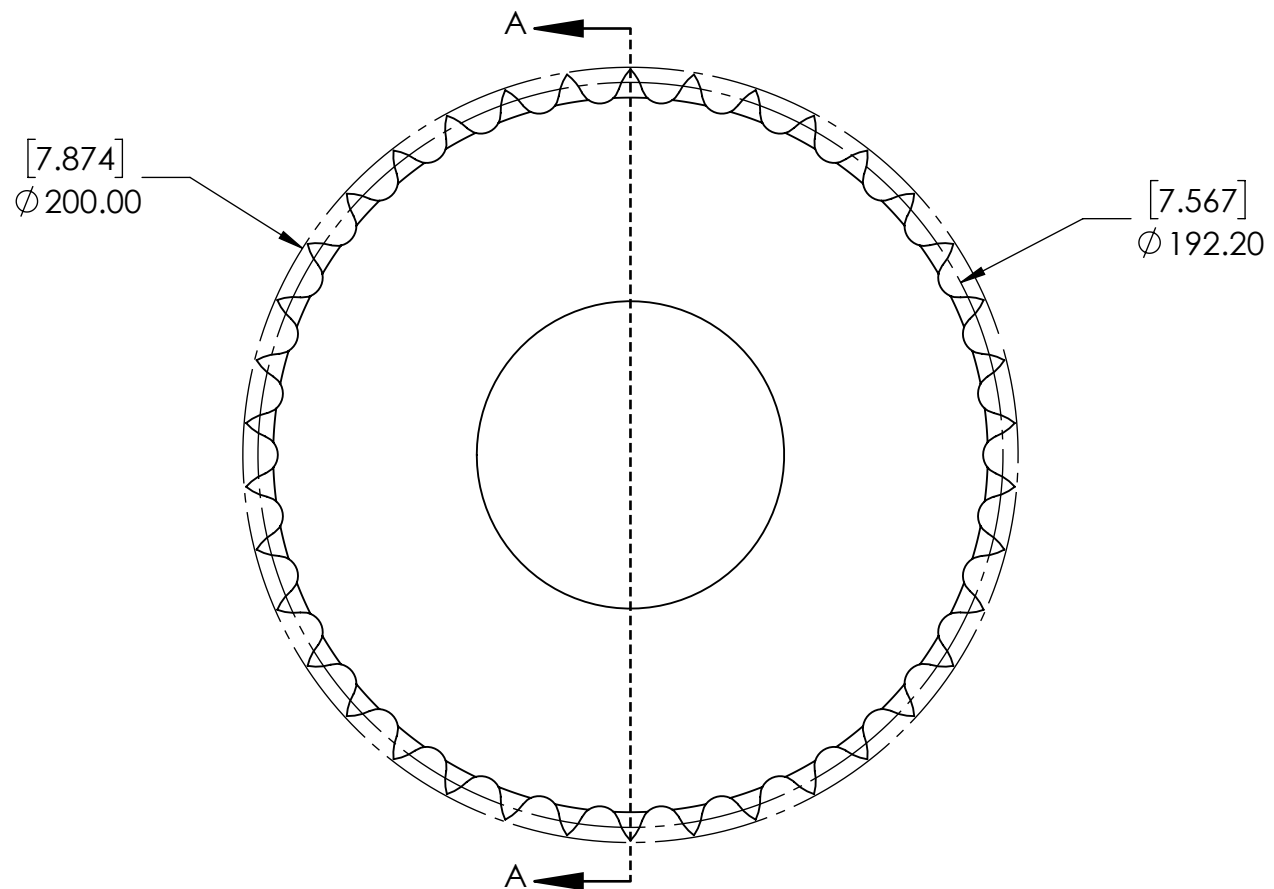
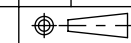



9 8 7 6 5 4 3 2 1

G F E D C B A



SECTION A-A

SPROCKETS SPECIFICATIONS		WEIGHT		10.12 LBS	
UNITS	mm (INCH)	MATERIAL	STEEL		
CHAIN SIZE	10B	COATING	BLACK OXIDE		
PITCH	15.88 mm	DRAWN	SEC	08/05/2025	
INNER WIDTH	9.65 mm	CHECKED	SEC	08/05/2025	
ROLLER DIA.	10.16 mm	APPROVED			
TOOTH WIDTH	8.80 mm	DATE	BY	REVISION DESCRIPTION	
NUMBER OF TEETH	38	ITEM DESCRIPTION:		10B-2-38TL-2517	
HUB STYLE	B	DWG. NO.		SCALE	
BORE TYPE	FOR TAPER BUSHING			1:1	
BUSHING NUMBER	2517	<small>PROPRIETARY AND CONFIDENTIAL THE INFORMATION CONTAINED IN THIS DRAWING IS THE SOLE PROPERTY OF SOLVE IMG. ANY REPRODUCTION IN PART OR AS A WHOLE WITHOUT THE WRITTEN PERMISSION OF SOLVE IMG IS PROHIBITED.</small>		REV	
				-	

9 8 7 6 5 4 3 2 1

A B C D E F G