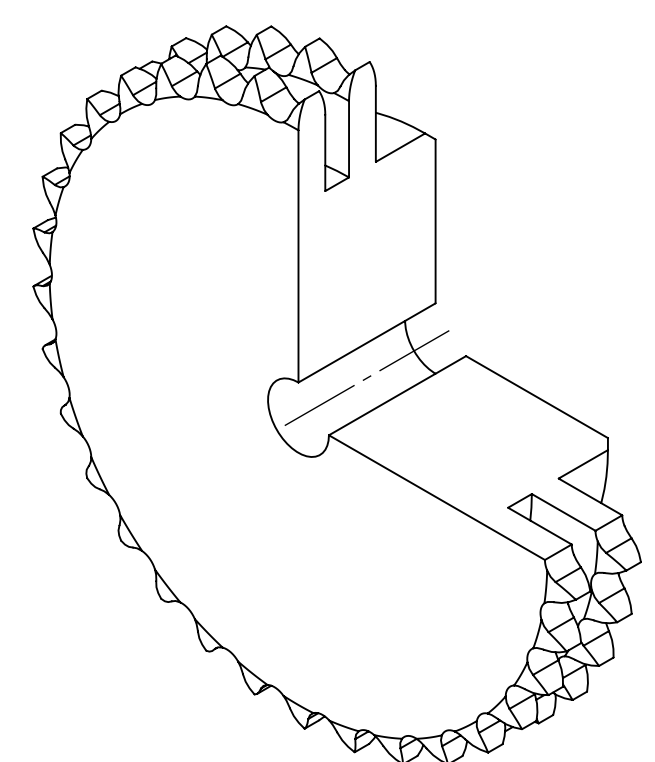
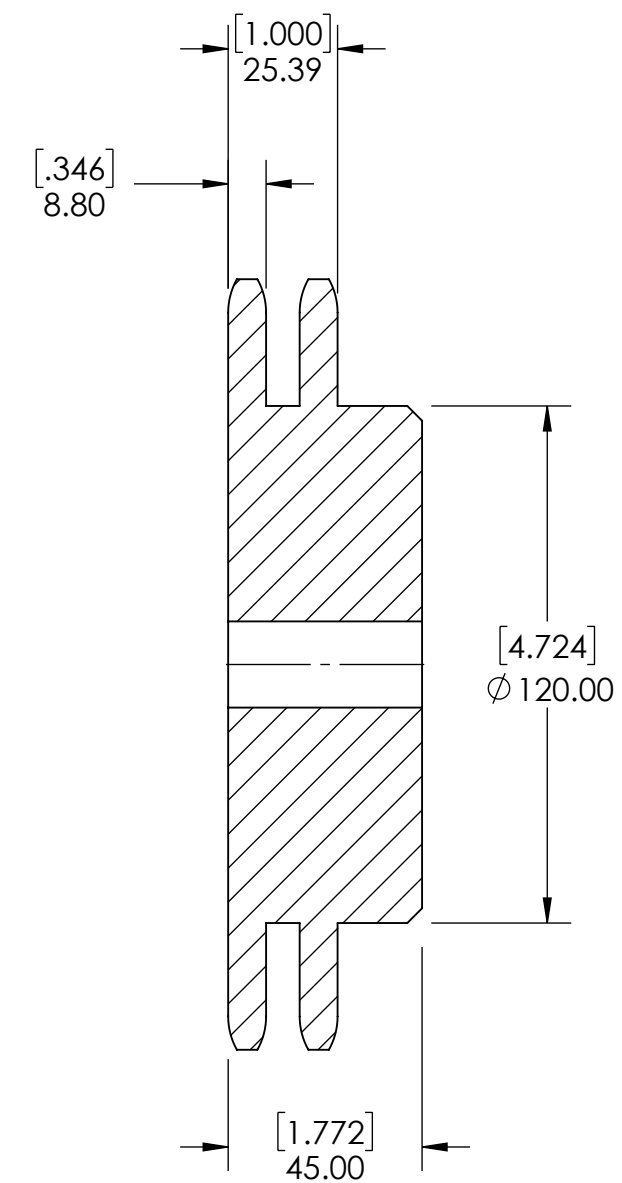
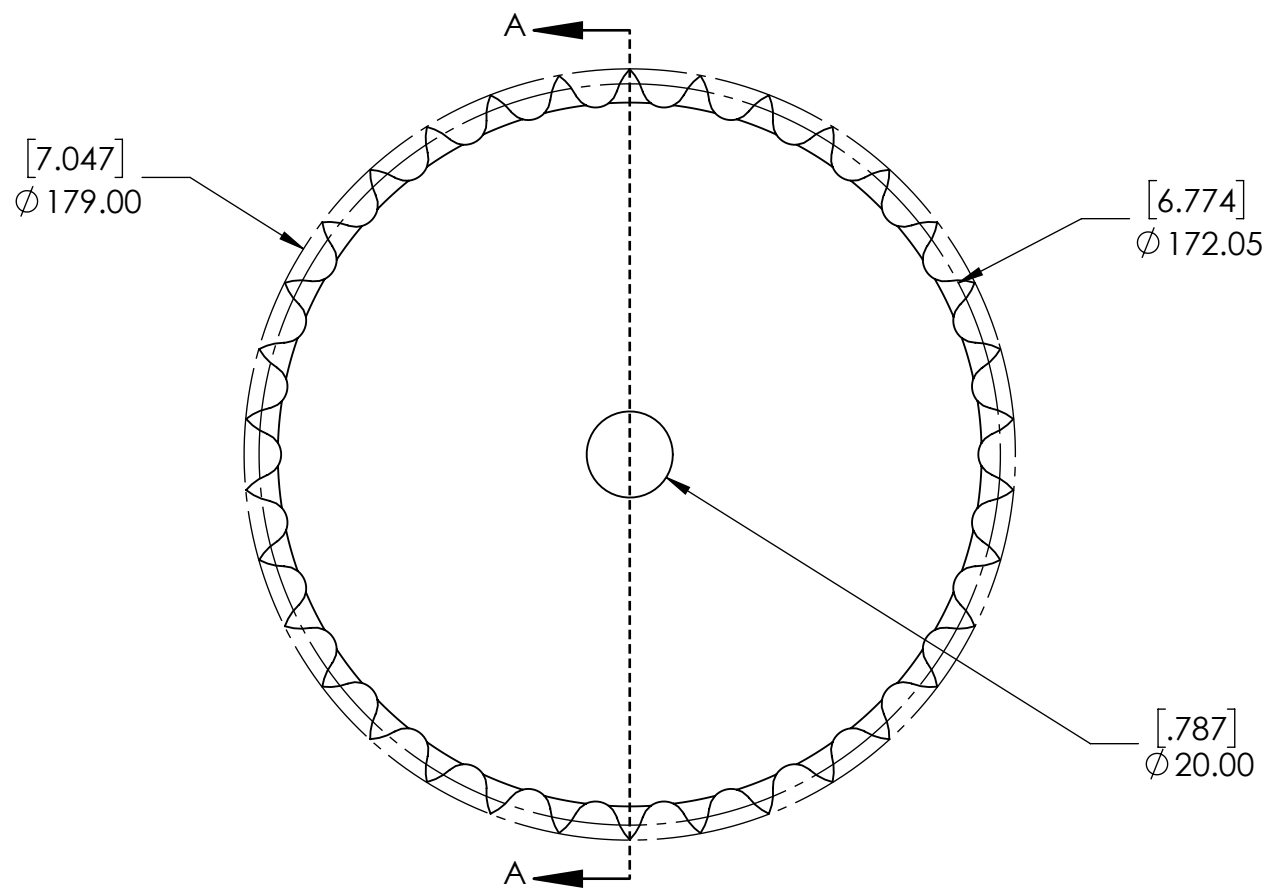


9 8 7 6 5 4 3 2 1

G
F
E
D
C
B
A

G
F
E
D
C
B
A



SECTION A-A

SPROCKETS SPECIFICATIONS		WEIGHT		DATE		BY		REVISION DESCRIPTION		REV
UNITS	mm (INCH)	11.79 LBS								SCALE
CHAIN SIZE	10B	MATERIAL	STEEL							1:1
PITCH	15.88 mm	COATING	BLACK OXIDE							REV
INNER WIDTH	9.65 mm	DRAWN	SEC	07/30/2025						-
ROLLER DIA.	10.16 mm	CHECKED	EG	07/30/2025						
TOOTH WIDTH	8.80 mm	APPROVED								
NUMBER OF TEETH	34									
HUB STYLE	B									
BORE TYPE	PLAIN BORE									
BUSHING NUMBER	N/A									
		DWG. NO.		10B-2-34B						

9 8 7 6 5 4 3 2 1

A

A



PROPRIETARY AND CONFIDENTIAL
THE INFORMATION CONTAINED IN THIS DRAWING IS THE SOLE PROPERTY OF SOLVE IMG. ANY REPRODUCTION IN PART OR AS A WHOLE WITHOUT THE WRITTEN PERMISSION OF SOLVE IMG IS PROHIBITED.