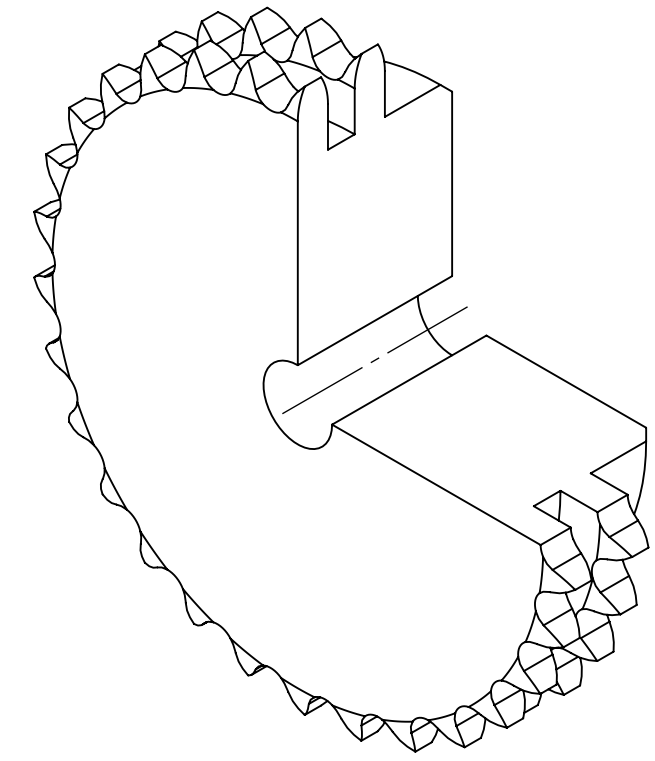
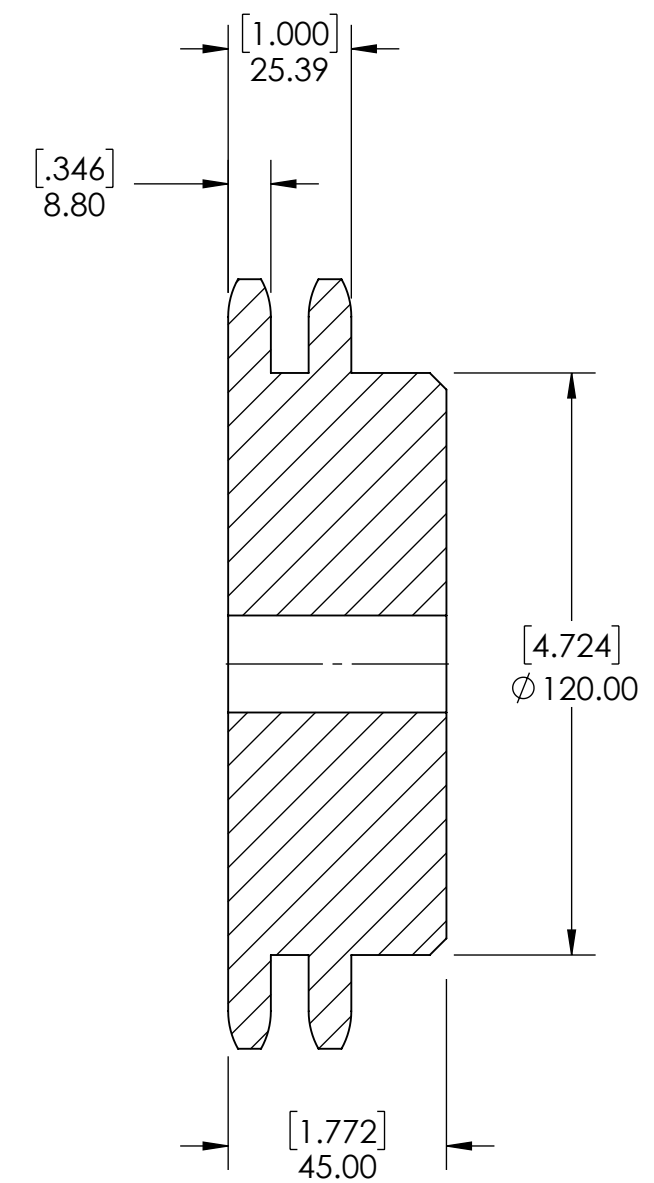
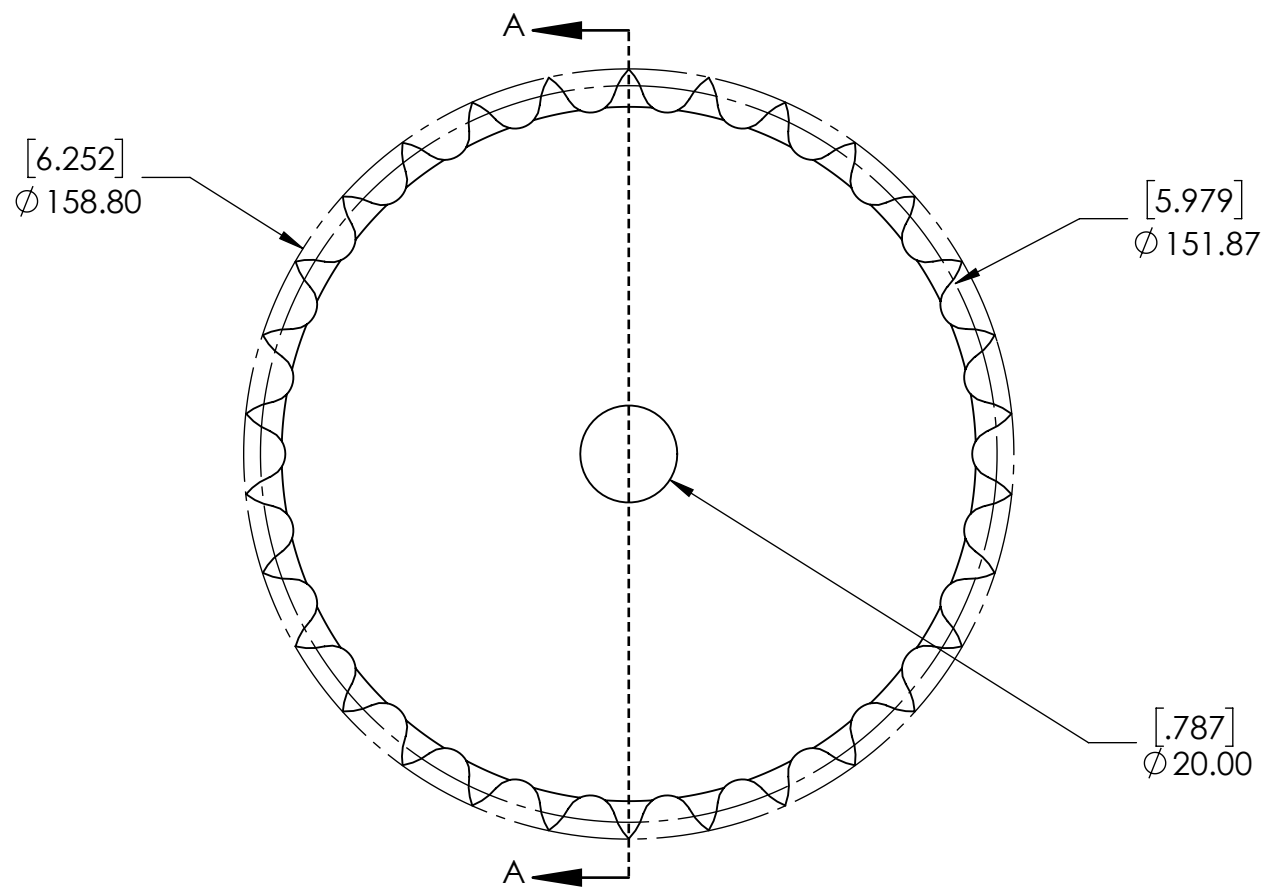


9 8 7 6 5 4 3 2 1

G
F
E
D
C
B
A

G
F
E
D
C
B
A



SECTION A-A

SPROCKETS SPECIFICATIONS		WEIGHT		10.27 LBS		
UNITS	mm (INCH)	MATERIAL	STEEL			
CHAIN SIZE	10B	COATING	BLACK OXIDE			
PITCH	15.88 mm	DRAWN	SEC	07/30/2025		
INNER WIDTH	9.65 mm	CHECKED	EG	07/30/2025		
ROLLER DIA.	10.16 mm	APPROVED				
TOOTH WIDTH	8.80 mm	DATE				BY
NUMBER OF TEETH	30			ITEM DESCRIPTION:		REV
HUB STYLE	B	DWG. NO.		10B-2-30B		SCALE
BORE TYPE	PLAIN BORE	<small>PROPRIETARY AND CONFIDENTIAL</small> <small>THE INFORMATION CONTAINED IN THIS DRAWING IS THE SOLE PROPERTY OF SOLVE IMG. ANY REPRODUCTION IN PART OR AS A WHOLE WITHOUT THE WRITTEN PERMISSION OF SOLVE IMG IS PROHIBITED.</small>				1:1
BUSHING NUMBER	N/A					REV
						-

9 8 7 6 5 4 3 2 1