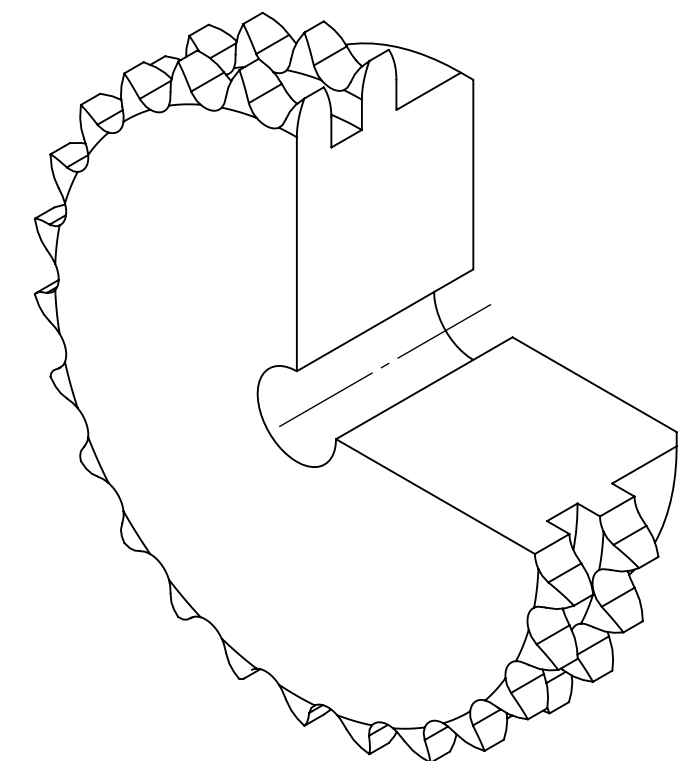
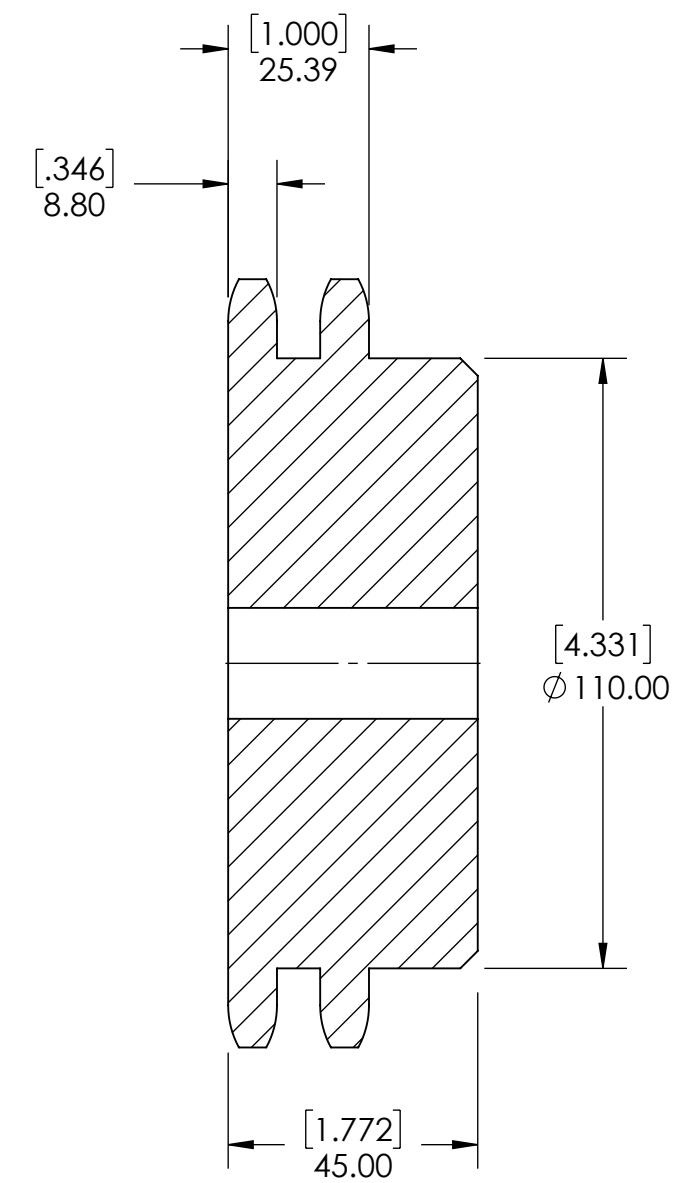
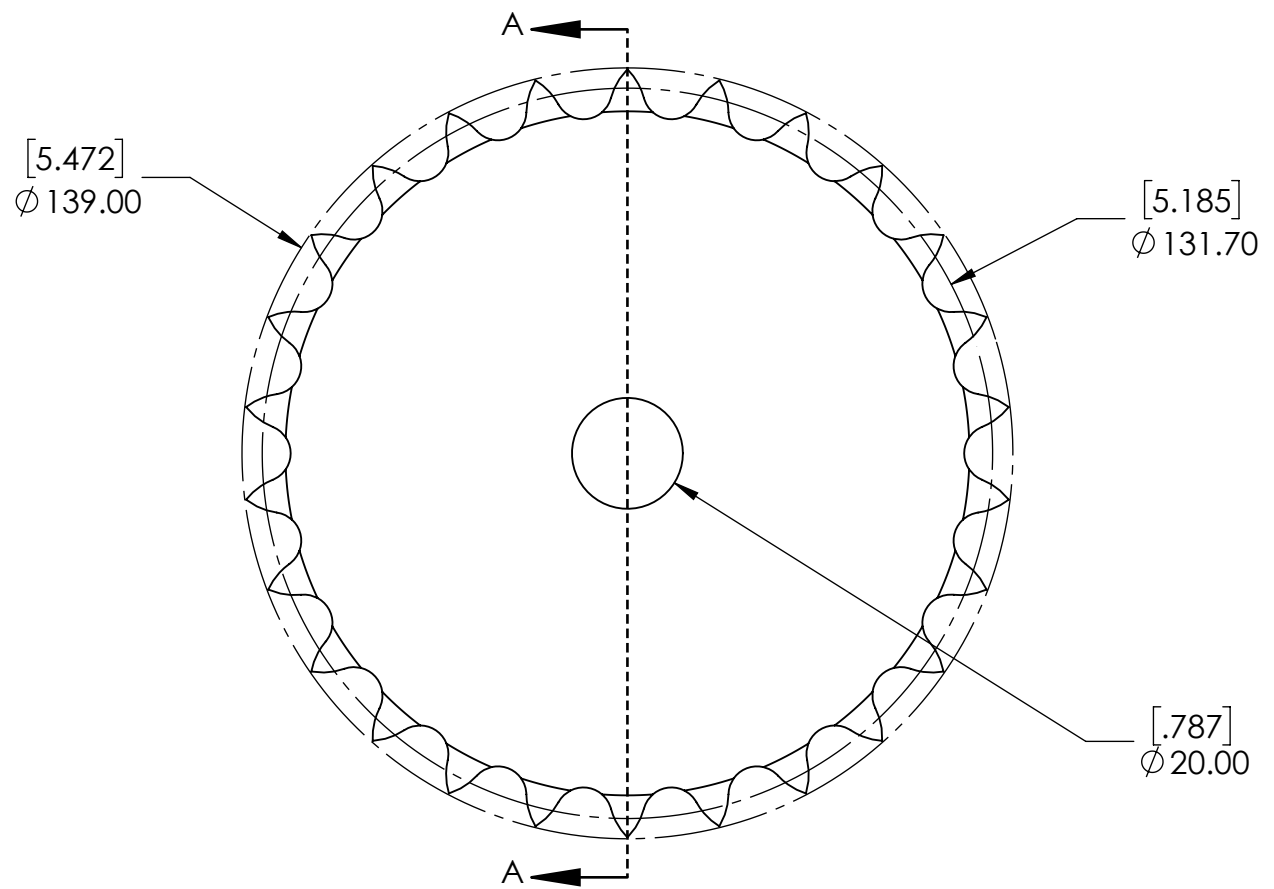


9 8 7 6 5 4 3 2 1

G  
F  
E  
D  
C  
B  
A

G  
F  
E  
D  
C  
B  
A



SECTION A-A

SPROCKETS SPECIFICATIONS		WEIGHT		8.10 LBS	
UNITS	mm (INCH)	MATERIAL	STEEL		
CHAIN SIZE	10B	COATING	BLACK OXIDE		
PITCH	15.88 mm	DRAWN	SEC	07/30/2025	
INNER WIDTH	9.65 mm	CHECKED	EG	07/30/2025	
ROLLER DIA.	10.16 mm	APPROVED			
TOOTH WIDTH	8.80 mm	THIRD ANGLE PROJECTION			
NUMBER OF TEETH	26	DATE	BY	REVISION DESCRIPTION	
HUB STYLE	B				
BORE TYPE	PLAIN BORE				
BUSHING NUMBER	N/A				
		DWG. NO.		10B-2-26B	
		 		ITEM DESCRIPTION:	
		PROPRIETARY AND CONFIDENTIAL THE INFORMATION CONTAINED IN THIS DRAWING IS THE SOLE PROPERTY OF SOLVE IMG. ANY REPRODUCTION IN PART OR AS A WHOLE WITHOUT THE WRITTEN PERMISSION OF SOLVE IMG IS PROHIBITED.		SCALE: 1:1	
				REV: -	

9 8 7 6 5 4 3 2 1