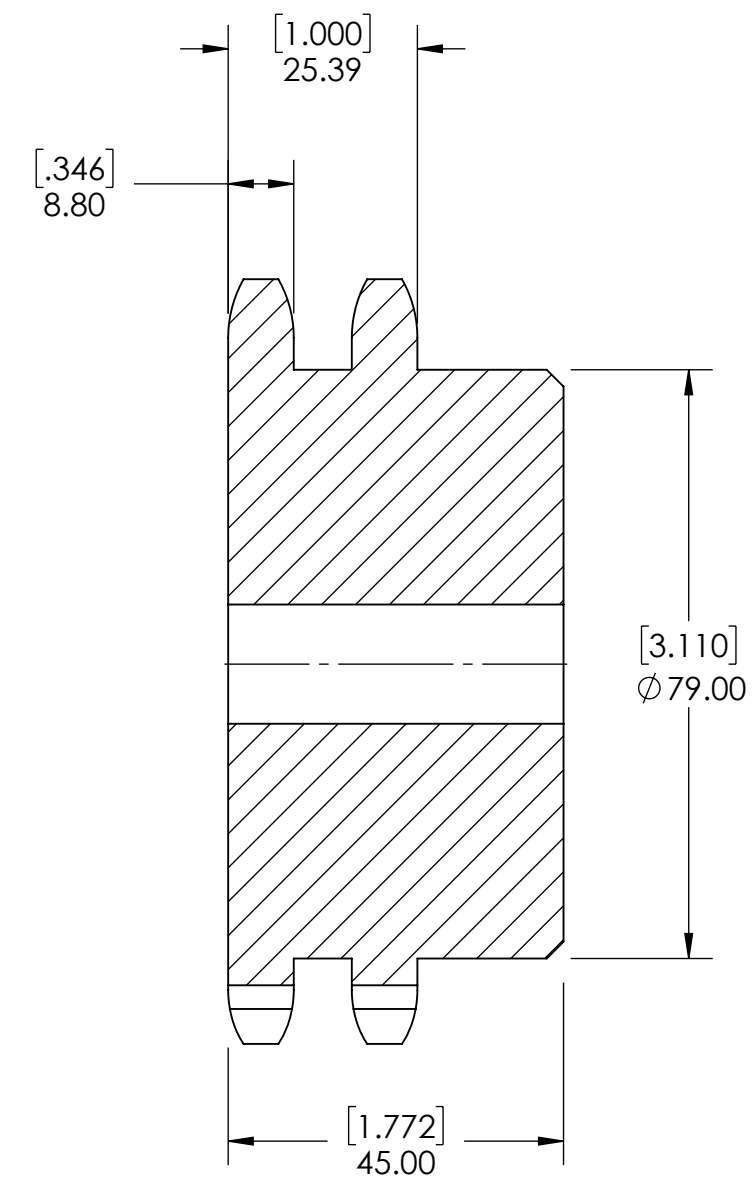
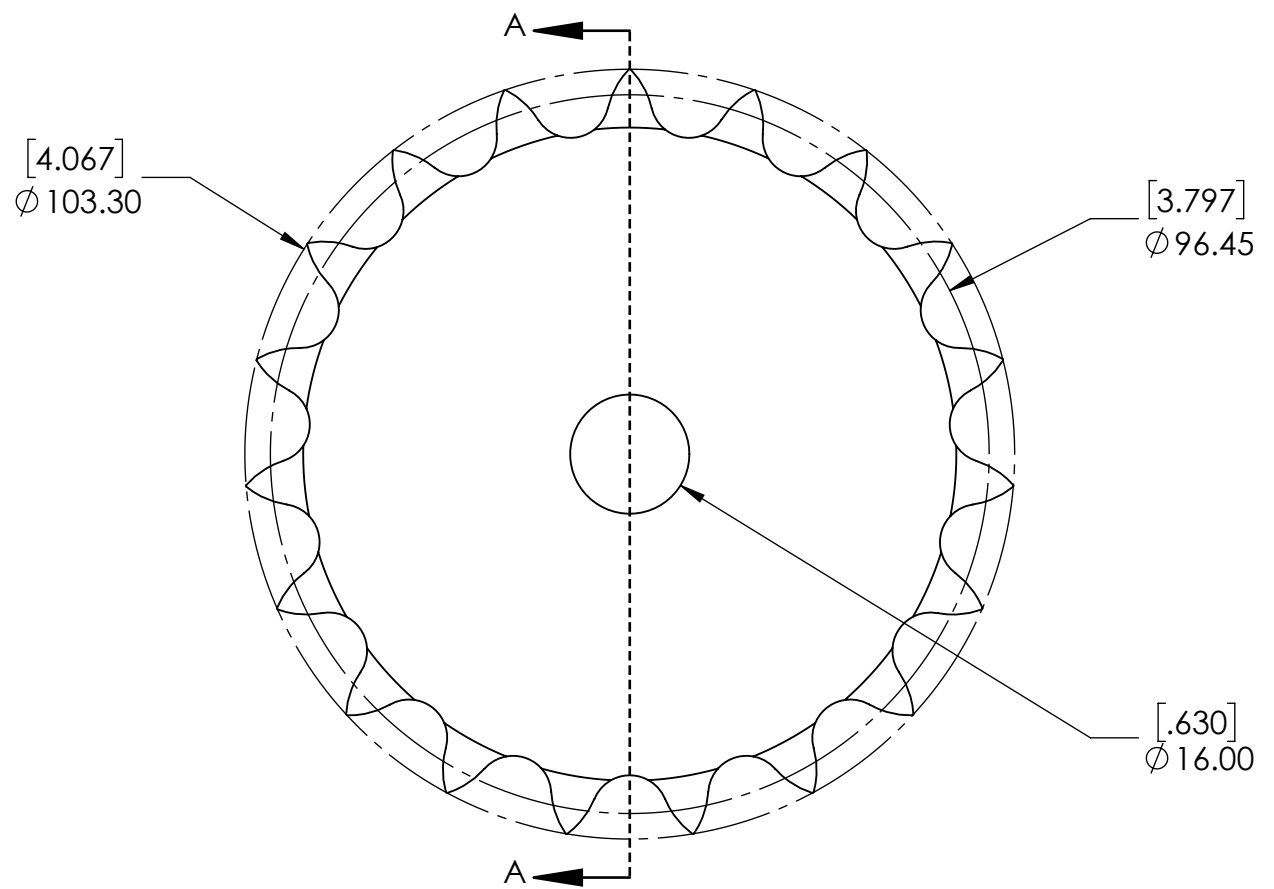


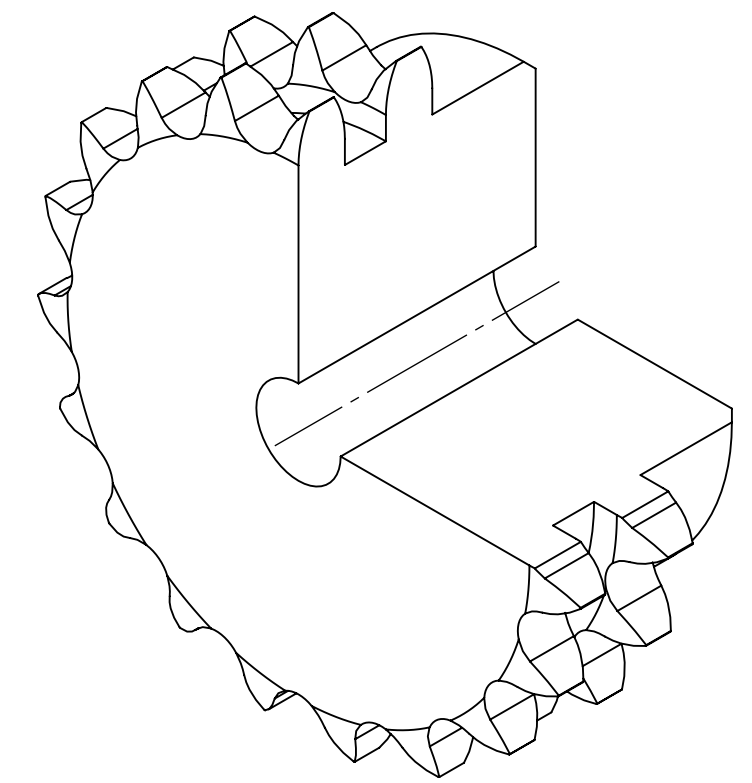
9 8 7 6 5 4 3 2 1

G  
F  
E  
D  
C  
B  
A

G  
F  
E  
D  
C  
B  
A



SECTION A-A



SPROCKETS SPECIFICATIONS		WEIGHT		DATE		BY		REVISION DESCRIPTION		REV
UNITS	mm (INCH)	4.18 LBS								
CHAIN SIZE	10B	STEEL								
PITCH	15.88 mm	BLACK OXIDE		DRAWN		SEC		07/30/2025		
INNER WIDTH	9.65 mm			CHECKED		EG		07/30/2025		
ROLLER DIA.	10.16 mm			APPROVED						
TOOTH WIDTH	8.80 mm							ITEM DESCRIPTION:		SCALE
NUMBER OF TEETH	19									
HUB STYLE	B			DWG. NO.				10B-2-19B		REV
BORE TYPE	PLAIN BORE			PROPRIETARY AND CONFIDENTIAL <small>THE INFORMATION CONTAINED IN THIS DRAWING IS THE SOLE PROPERTY OF SOLVE IMG. ANY REPRODUCTION IN PART OR AS A WHOLE WITHOUT THE WRITTEN PERMISSION OF SOLVE IMG IS PROHIBITED.</small>						-
BUSHING NUMBER	N/A									

9 8 7 6 5 4 3 2 1