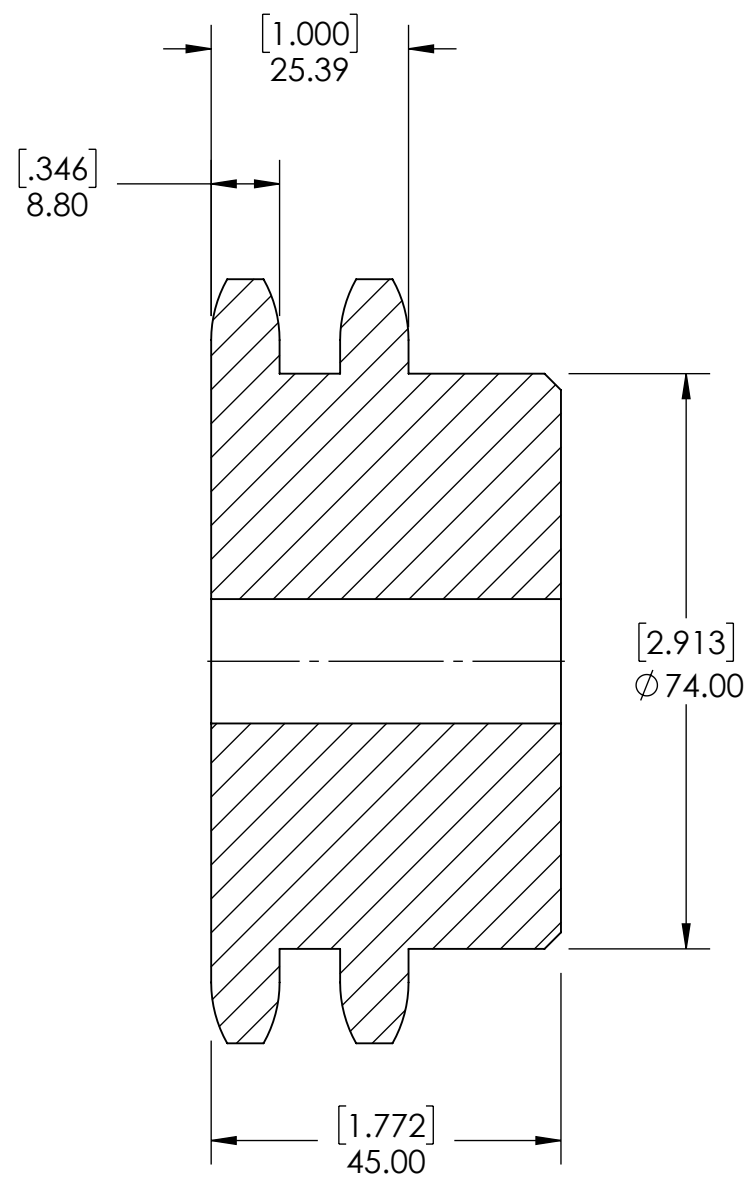
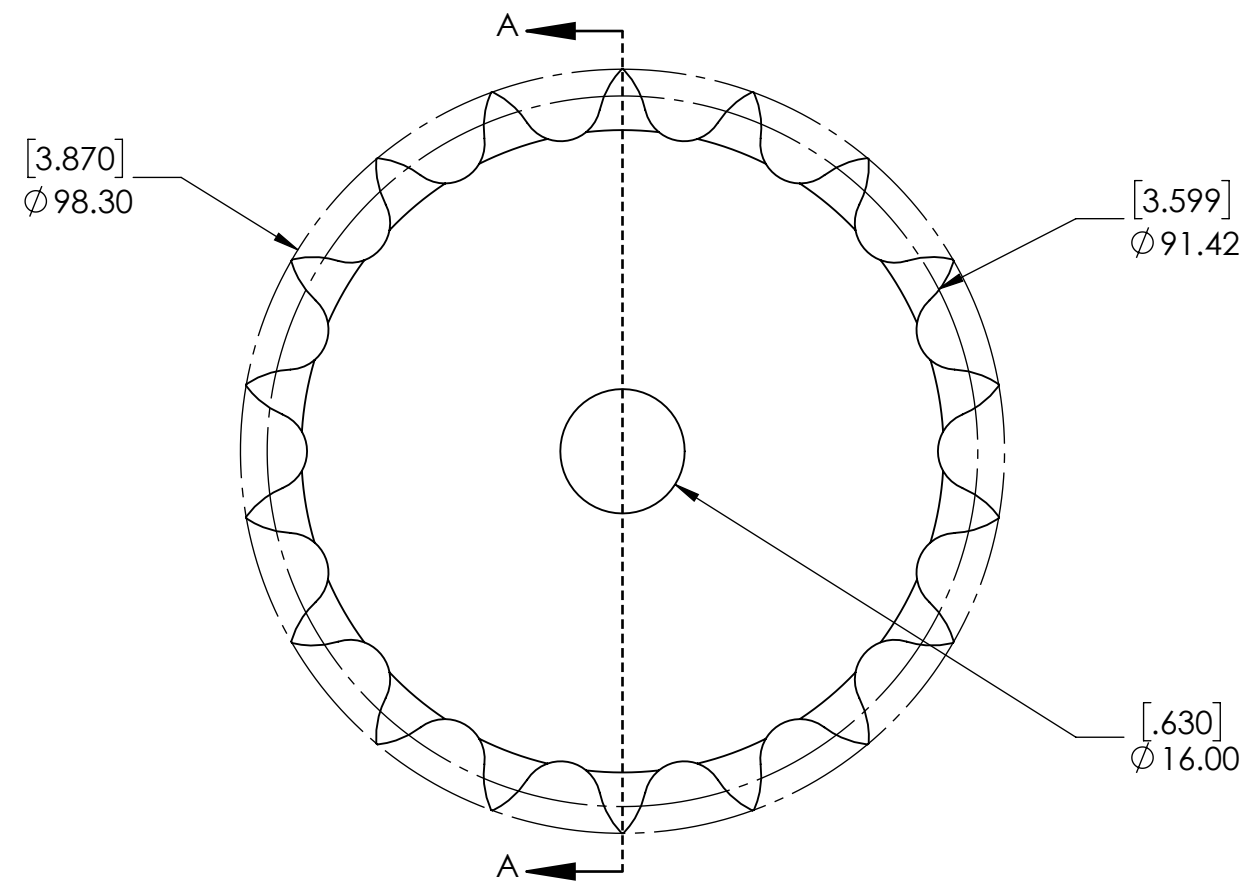
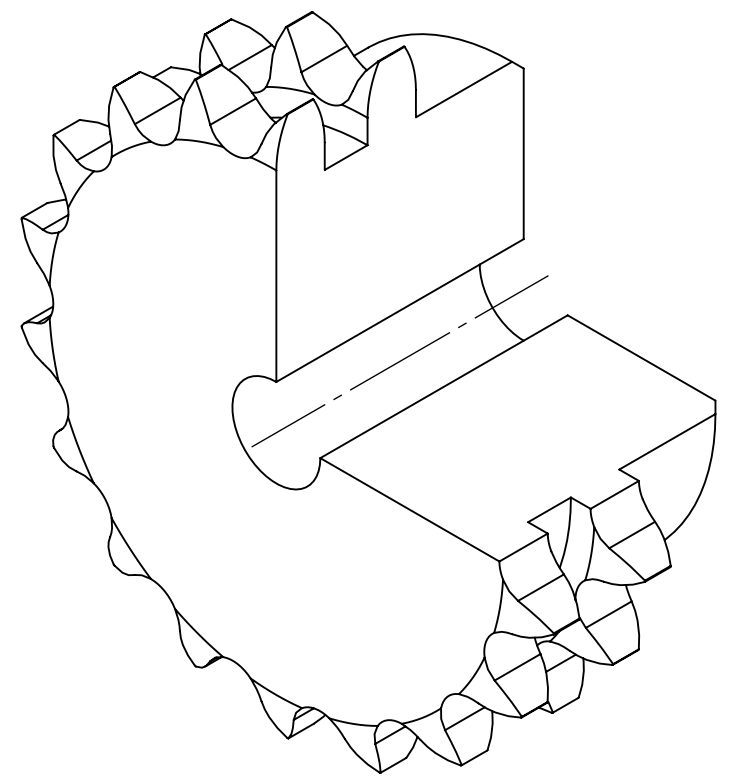


9 8 7 6 5 4 3 2 1

G F E D C B A



SECTION A-A



SPROCKETS SPECIFICATIONS		WEIGHT		DATE		BY		REVISION DESCRIPTION		REV
UNITS	mm (INCH)	3.68 LBS								
CHAIN SIZE	10B	MATERIAL	STEEL							
PITCH	15.88 mm	COATING	BLACK OXIDE							
INNER WIDTH	9.65 mm	DRAWN	SEC	07/30/2025						
ROLLER DIA.	10.16 mm	CHECKED	EG	07/30/2025						
TOOTH WIDTH	8.80 mm	APPROVED								
NUMBER OF TEETH	18									
HUB STYLE	B									
BORE TYPE	PLAIN BORE									
BUSHING NUMBER	N/A									
		DWG. NO.		DATE		BY		REVISION DESCRIPTION		SCALE
		B PTI		07/30/2025				10B-2-18B		1:1
		DWG. NO.		DATE		BY		REVISION DESCRIPTION		REV
		DWG. NO.		DATE		BY		REVISION DESCRIPTION		-

9 8 7 6 5 4 3 2 1

A B C D E F G