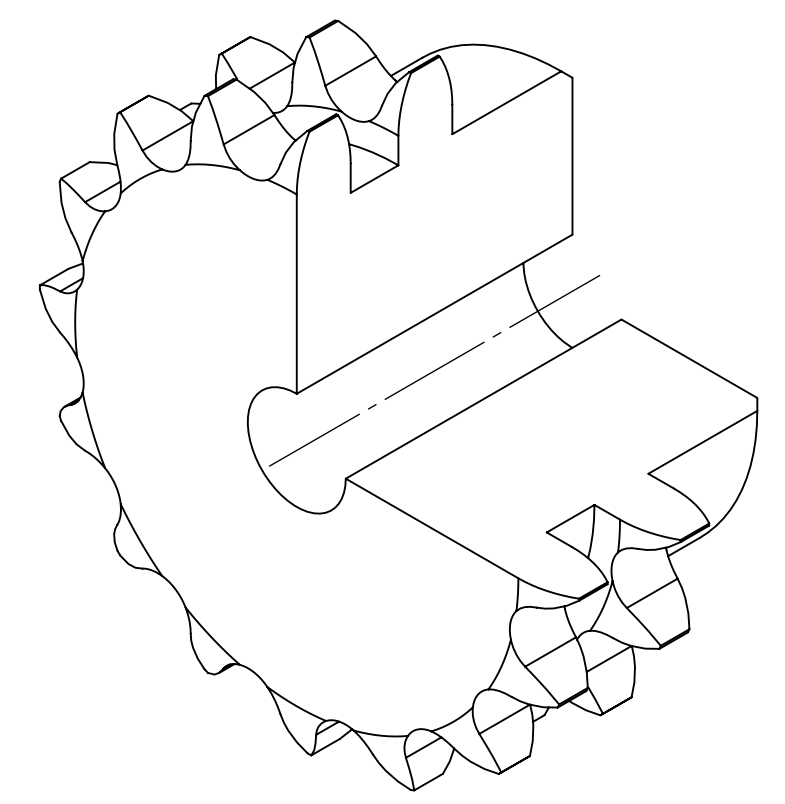
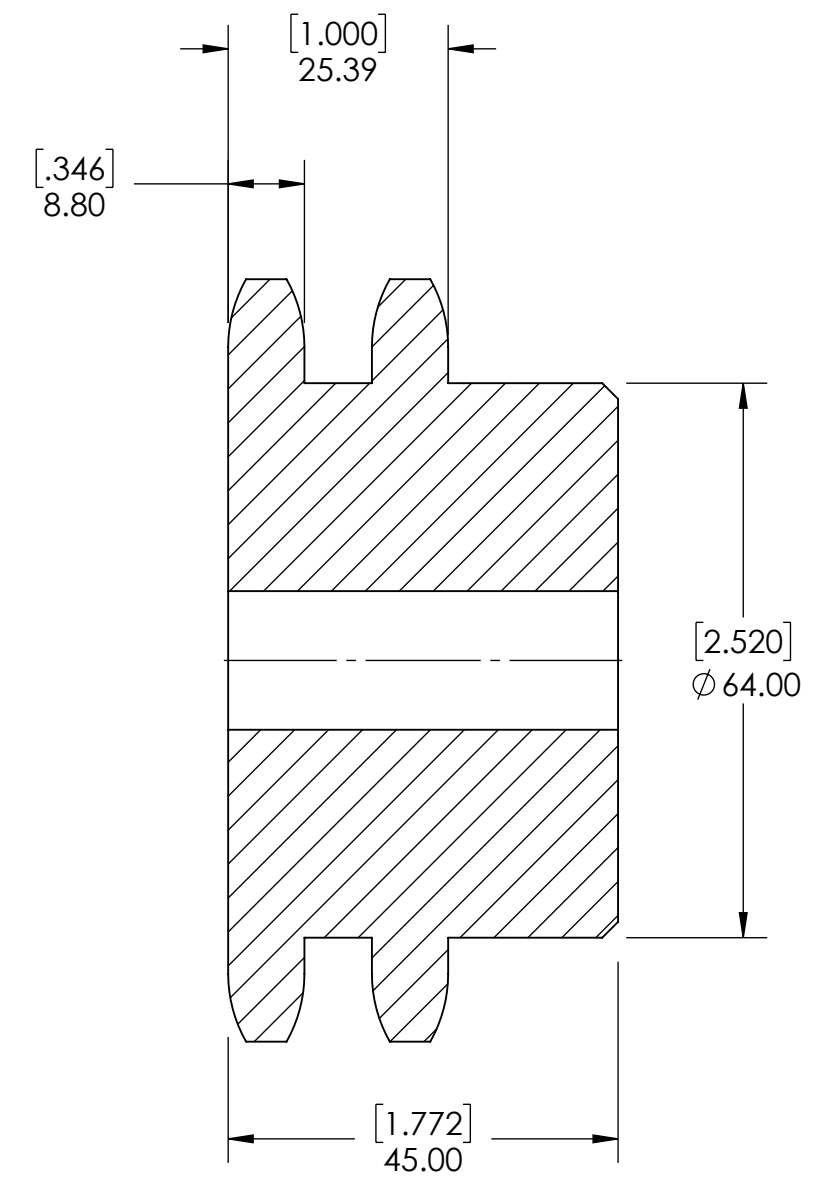
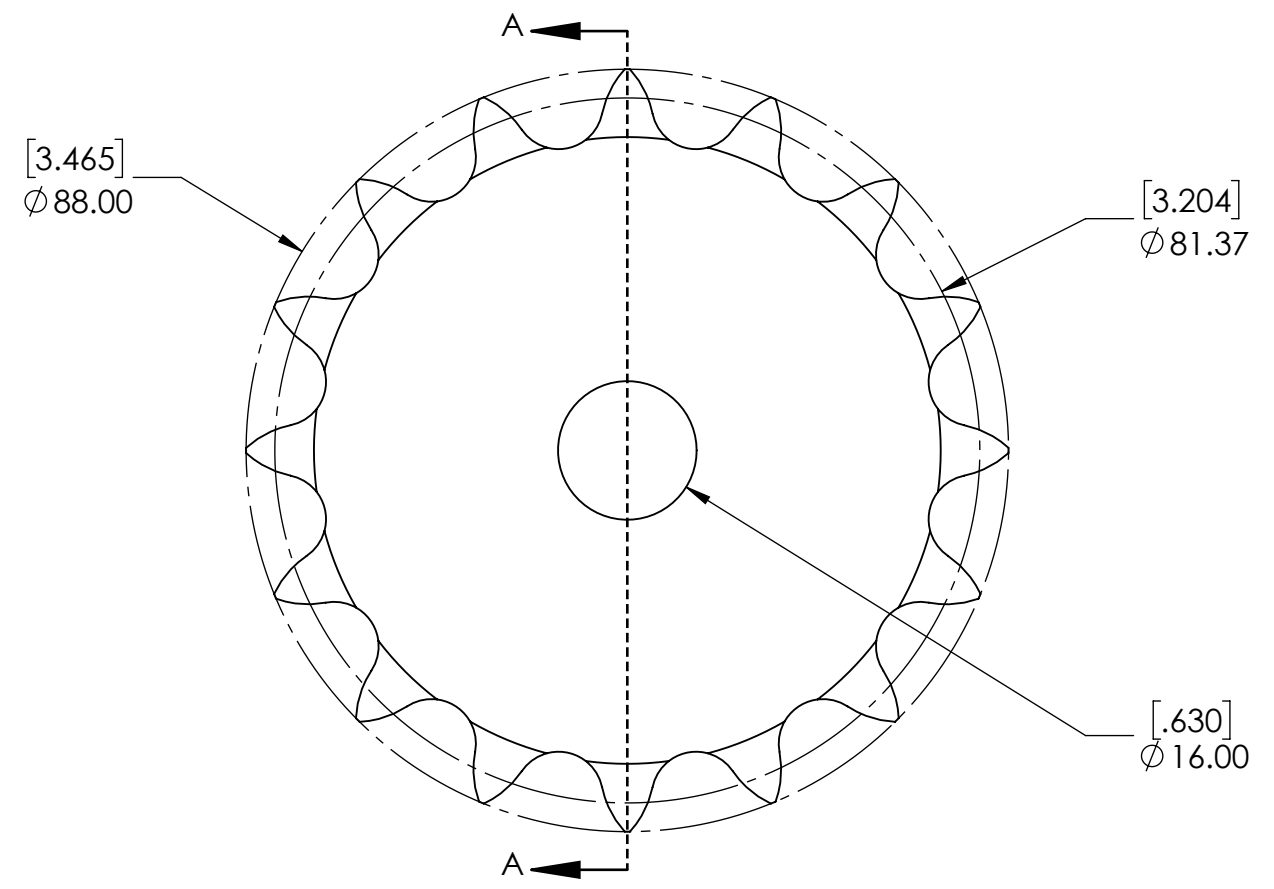


9 8 7 6 5 4 3 2 1

G F E D C B A



SECTION A-A

SPROCKETS SPECIFICATIONS		WEIGHT		2.78 LBS		
UNITS	mm (INCH)	MATERIAL	STEEL			
CHAIN SIZE	10B	COATING	BLACK OXIDE			
PITCH	15.88 mm	DRAWN	SEC	07/30/2025		
INNER WIDTH	9.65 mm	CHECKED	EG	07/30/2025		
ROLLER DIA.	10.16 mm	APPROVED				
TOOTH WIDTH	8.80 mm	DATE				BY
NUMBER OF TEETH	16	DATE		BY	REVISION DESCRIPTION	
HUB STYLE	B	DATE		BY	REVISION DESCRIPTION	
BORE TYPE	PLAIN BORE	DATE		BY	REVISION DESCRIPTION	
BUSHING NUMBER	N/A	DATE		BY	REVISION DESCRIPTION	
DWG. NO. PTI		PROPRIETARY AND CONFIDENTIAL THE INFORMATION CONTAINED IN THIS DRAWING IS THE SOLE PROPERTY OF SOLVE IMG. ANY REPRODUCTION IN PART OR AS A WHOLE WITHOUT THE WRITTEN PERMISSION OF SOLVE IMG IS PROHIBITED.		ITEM DESCRIPTION:		REV
		10B-2-16B		SCALE 1:1		REV -

9 8 7 6 5 4 3 2 1

A