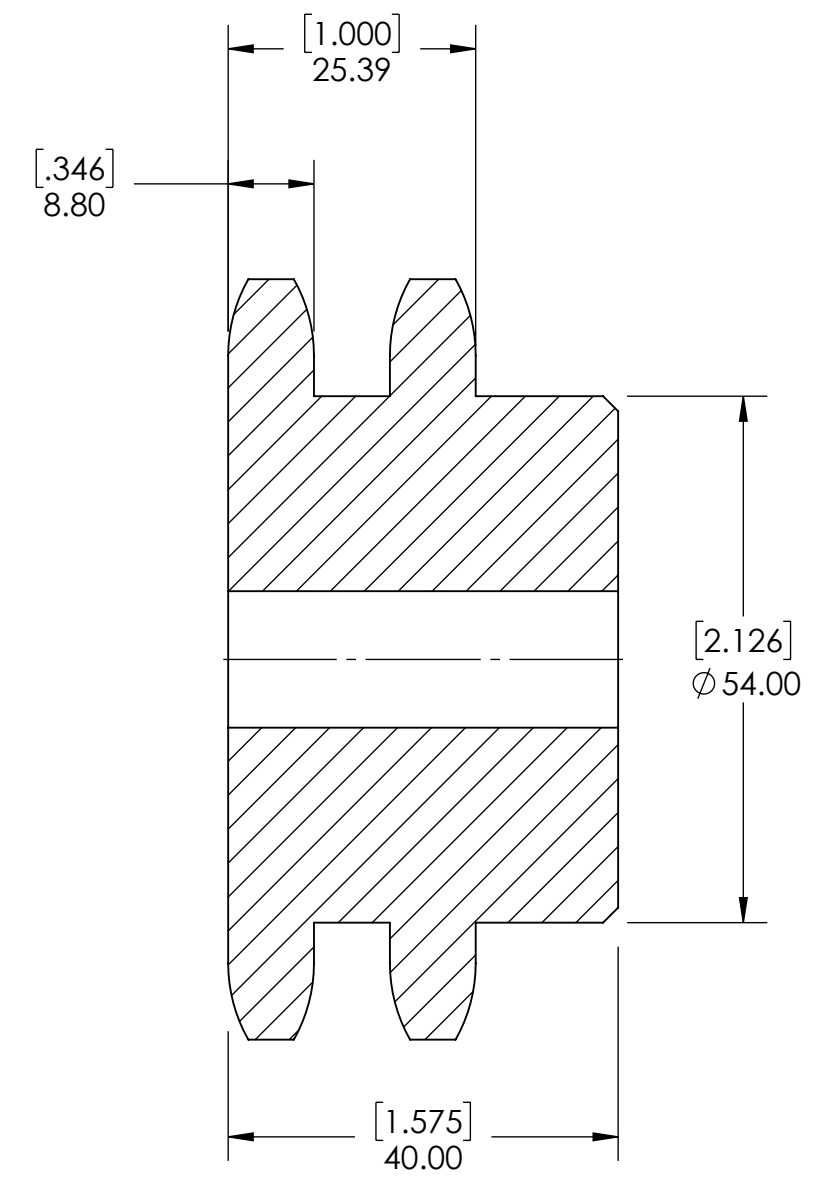
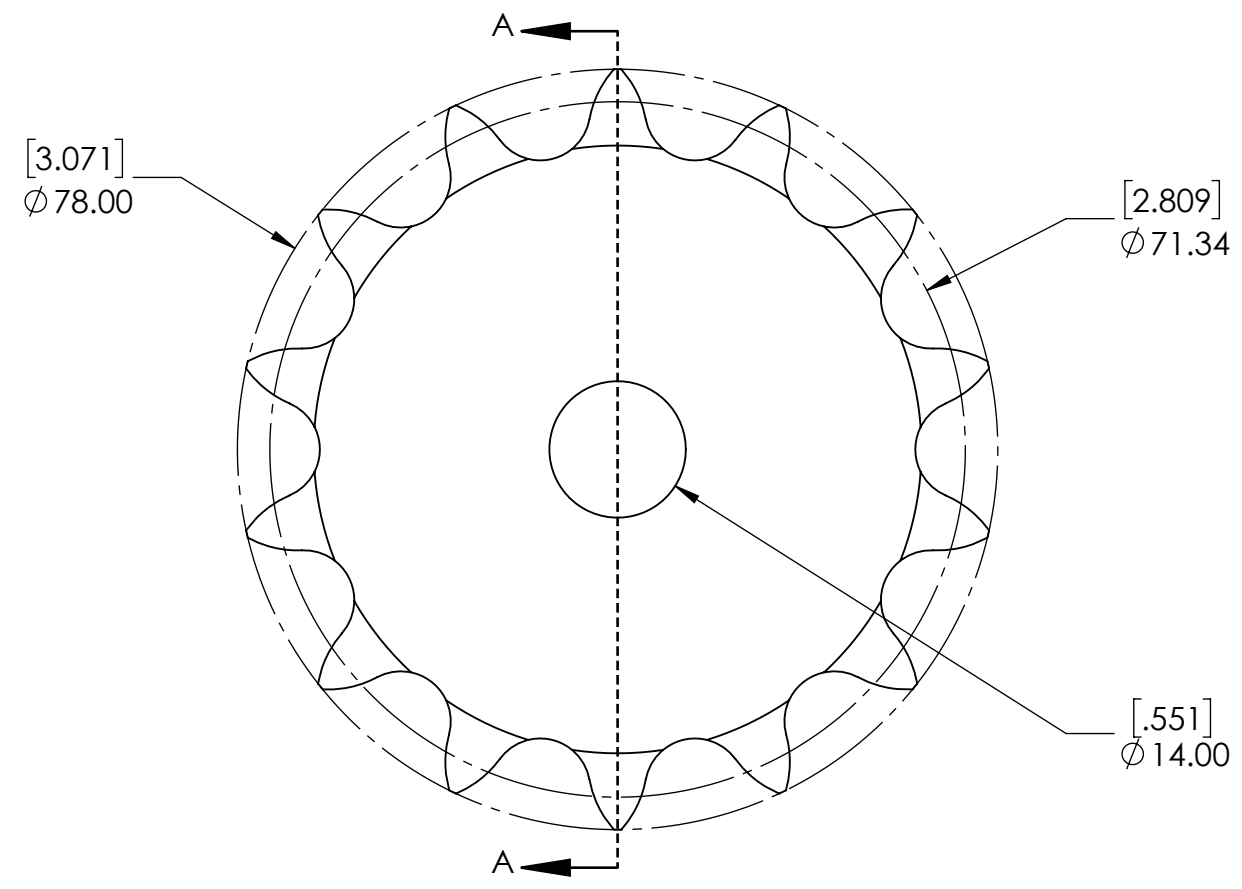


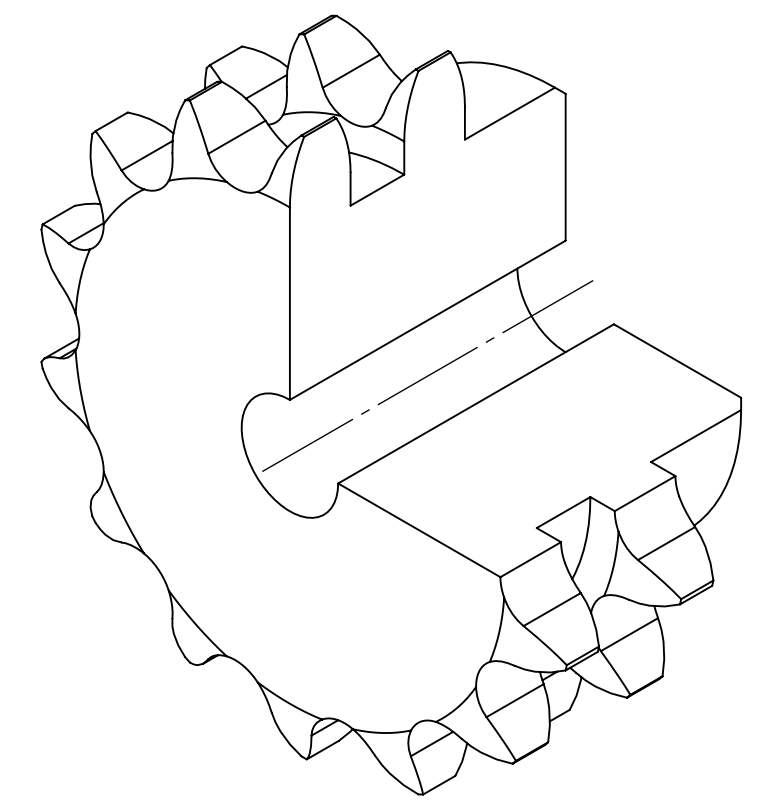
9 8 7 6 5 4 3 2 1

G
F
E
D
C
B
A

G
F
E
D
C
B
A



SECTION A-A



SPROCKETS SPECIFICATIONS		WEIGHT		1.85 LBS						
UNITS	mm (INCH)	MATERIAL	STEEL							
CHAIN SIZE	10B	COATING	BLACK OXIDE							
PITCH	15.88 mm	DRAWN	SEC	07/30/2025						
INNER WIDTH	9.65 mm	CHECKED	EG	07/30/2025						
ROLLER DIA.	10.16 mm	APPROVED								
TOOTH WIDTH	8.80 mm	DATE								
NUMBER OF TEETH	14	BY			REVISION DESCRIPTION	REV				
HUB STYLE	B	DWG. NO. PTI			ITEM DESCRIPTION:		SCALE			
BORE TYPE	PLAIN BORE				PROPRIETARY AND CONFIDENTIAL <small>THE INFORMATION CONTAINED IN THIS DRAWING IS THE SOLE PROPERTY OF SOLVE IMG. ANY REPRODUCTION IN PART OR AS A WHOLE WITHOUT THE WRITTEN PERMISSION OF SOLVE IMG IS PROHIBITED.</small>			10B-2-14B		1:1
BUSHING NUMBER	N/A							REV		-

9 8 7 6 5 4 3 2 1