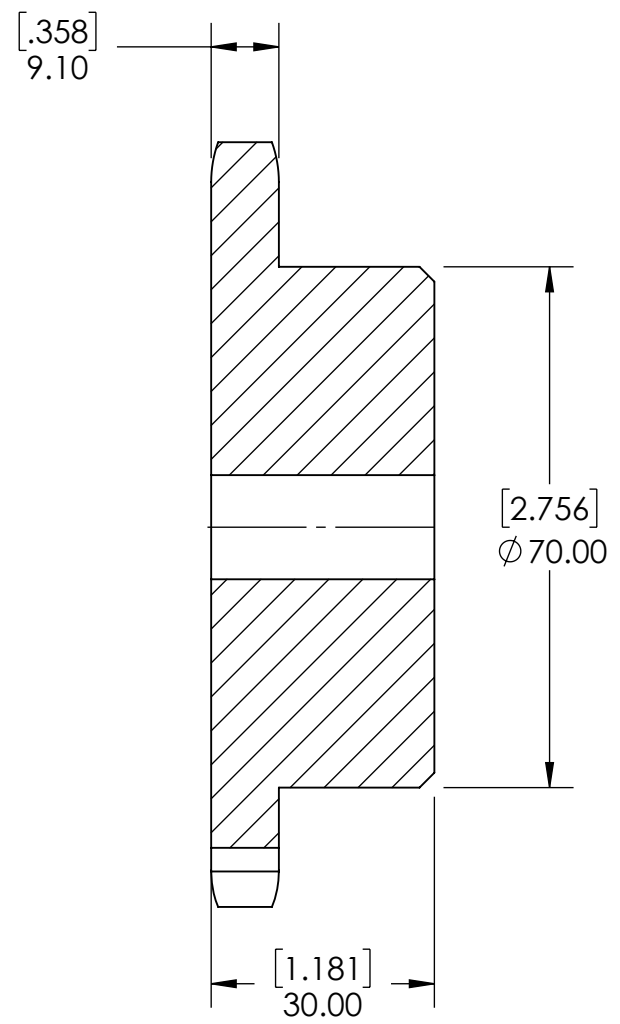
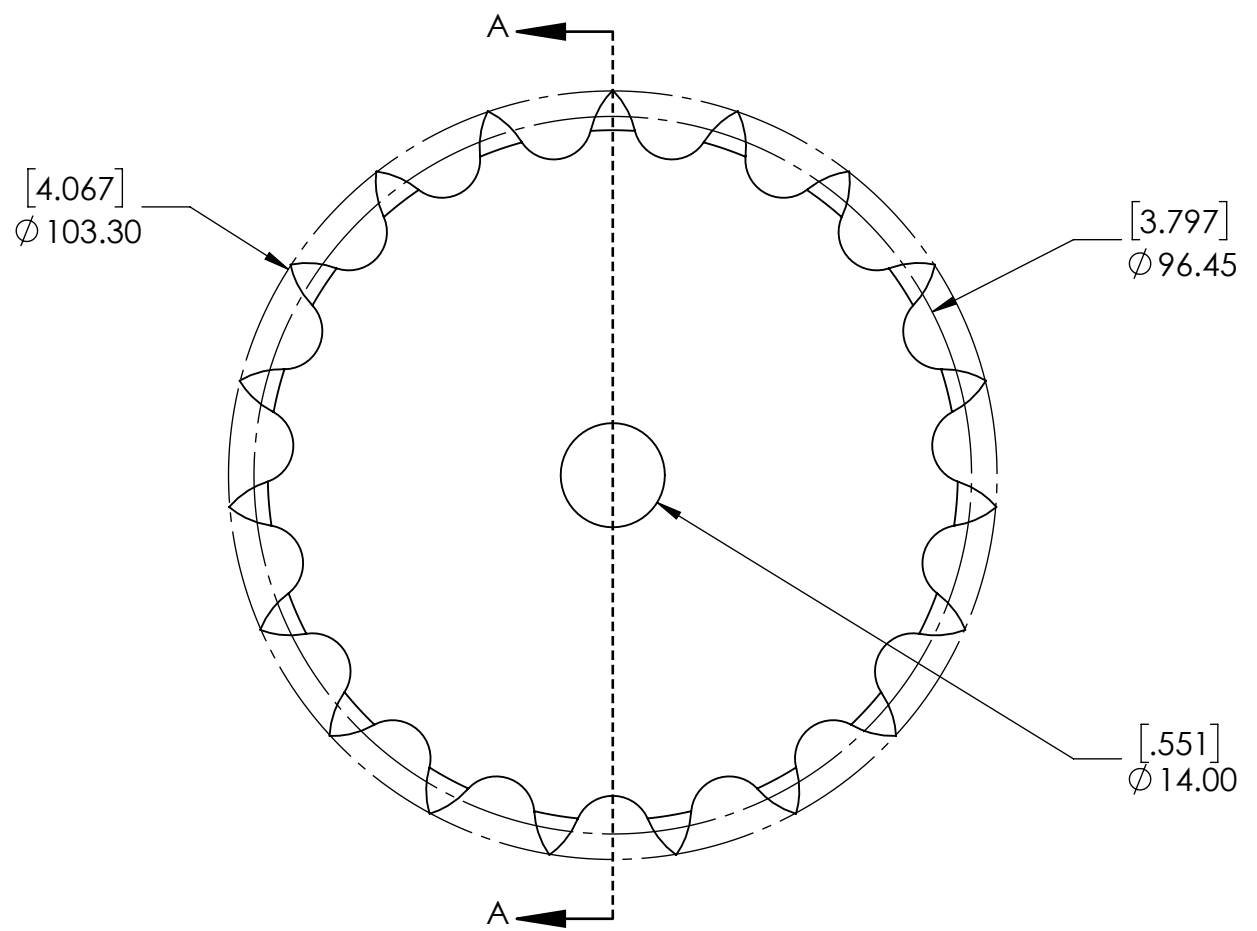


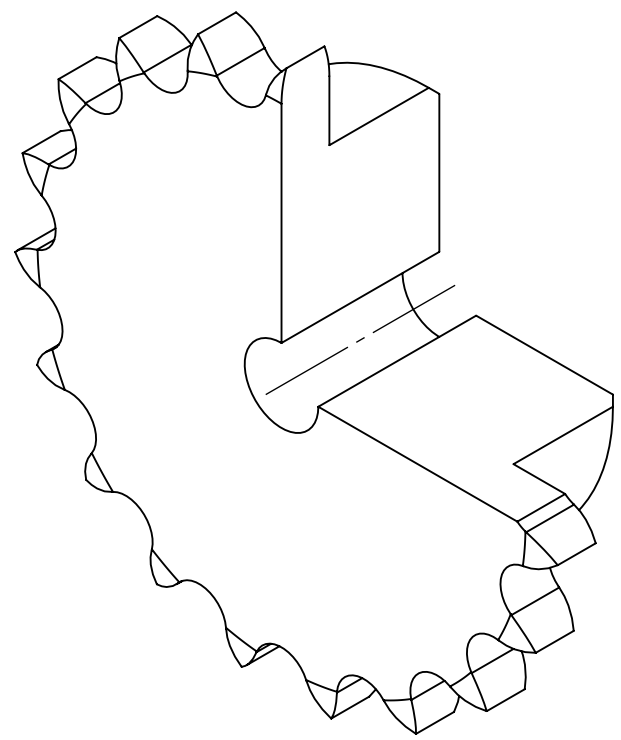
9 8 7 6 5 4 3 2 1

G
F
E
D
C
B
A

G
F
E
D
C
B
A



SECTION A-A



SPROCKETS SPECIFICATIONS		WEIGHT		DATE		BY		REVISION DESCRIPTION		REV
UNITS	mm (INCH)	2.40 LBS								
CHAIN SIZE	10B	MATERIAL	STAINLESS STEEL							
PITCH	15.88 mm	COATING	N/A	DRAWN	SEC	07/21/2025				
INNER WIDTH	9.65 mm	CHECKED	EG	07/21/2025						
ROLLER DIA.	10.16 mm	APPROVED								
TOOTH WIDTH	9.10 mm									
NUMBER OF TEETH	19									
HUB STYLE	B									
BORE TYPE	PLAIN BORE									
BUSHING NUMBER	N/A									
		DWG. NO.		DATE		BY		REVISION DESCRIPTION		SCALE
		B PTI		07/21/2025				ITEM DESCRIPTION:		1:1
								10B-19BSS		REV
										-

9 8 7 6 5 4 3 2 1