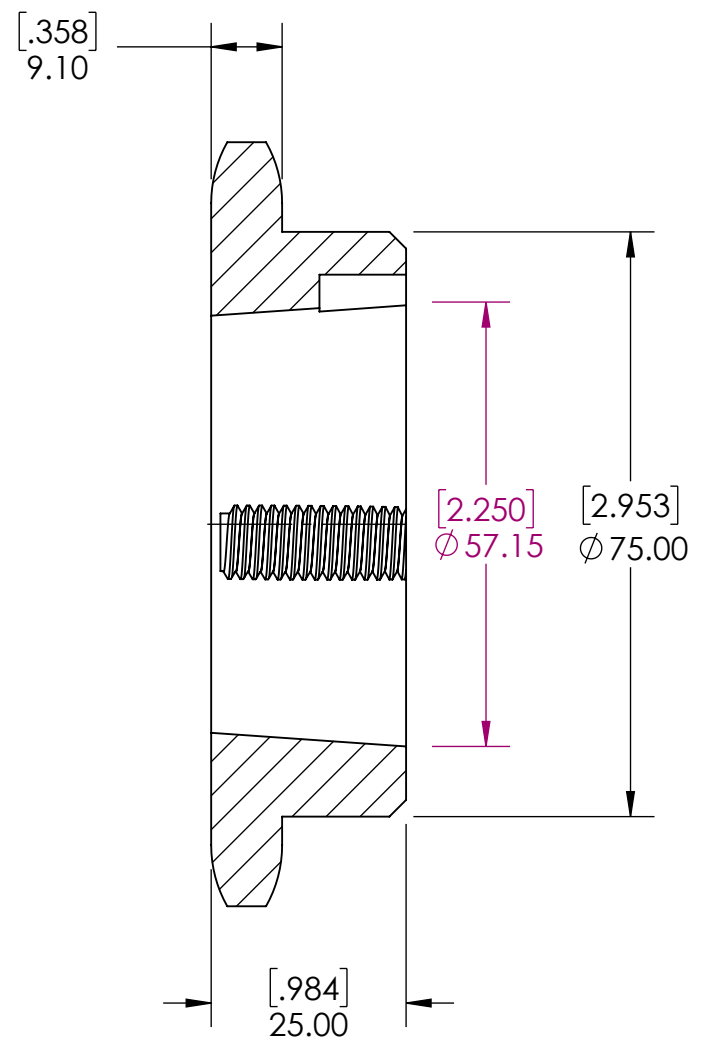
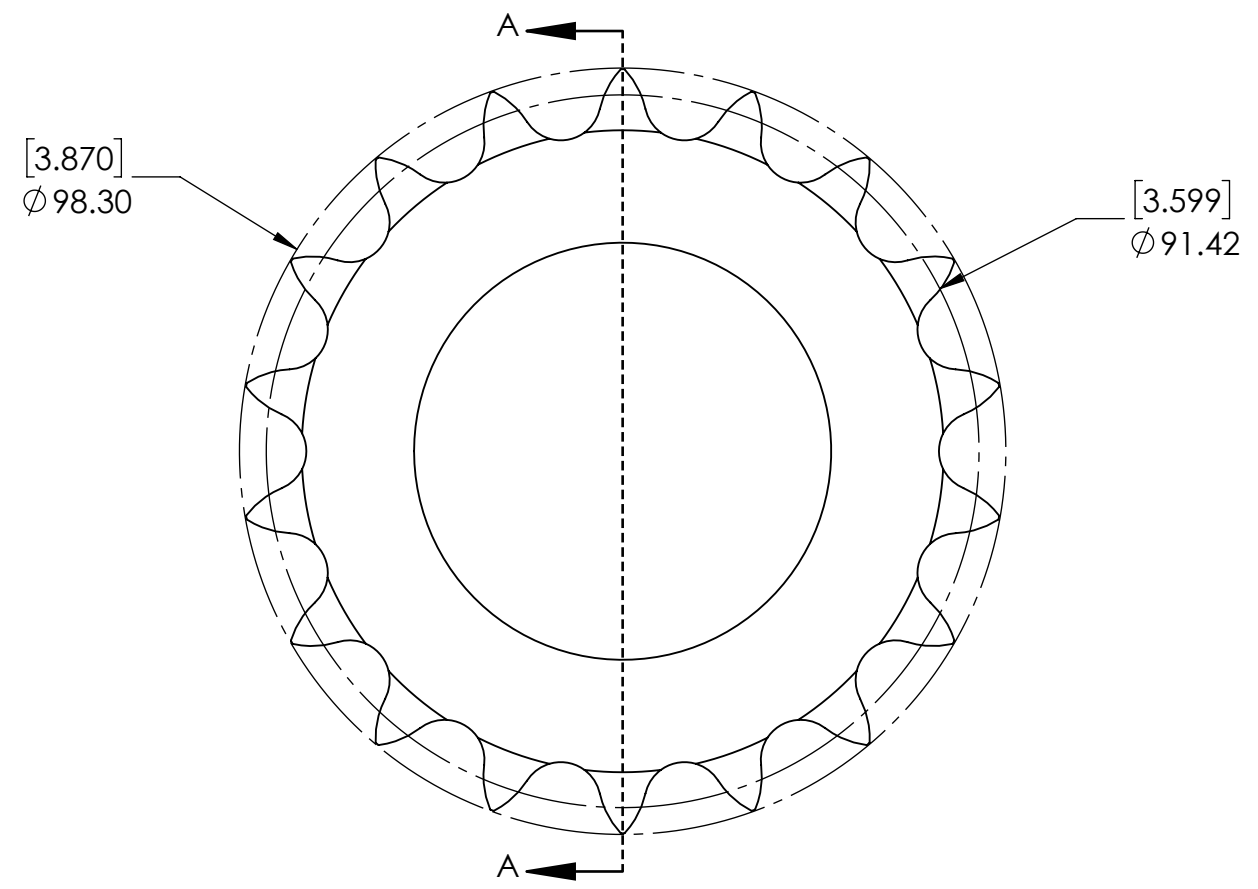


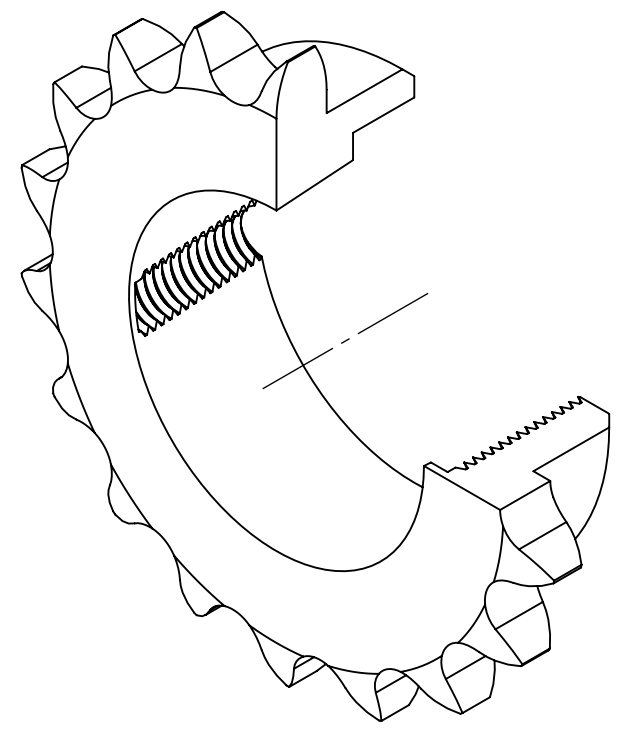
9 8 7 6 5 4 3 2 1

G
F
E
D
C
B
A

G
F
E
D
C
B
A



SECTION A-A



SPROCKETS SPECIFICATIONS		WEIGHT		1.08 LBS		
UNITS	mm (INCH)	MATERIAL	STEEL			
CHAIN SIZE	10B	COATING	BLACK OXIDE			
PITCH	15.88 mm	DRAWN	SEC	07/21/2025		
INNER WIDTH	9.65 mm	CHECKED	EG	07/21/2025		
ROLLER DIA.	10.16 mm	APPROVED				
TOOTH WIDTH	9.10 mm	DATE	BY	REVISION DESCRIPTION		
NUMBER OF TEETH	18	ITEM DESCRIPTION:			REV	
HUB STYLE	B	10B-18TL-1610			SCALE	
BORE TYPE	FOR TAPER BUSHING				REV	
BUSHING NUMBER	1610				-	



PROPRIETARY AND CONFIDENTIAL
THE INFORMATION CONTAINED IN THIS DRAWING IS THE SOLE PROPERTY OF SOLVE IMG. ANY REPRODUCTION IN PART OR AS A WHOLE WITHOUT THE WRITTEN PERMISSION OF SOLVE IMG IS PROHIBITED.

9 8 7 6 5 4 3 2 1