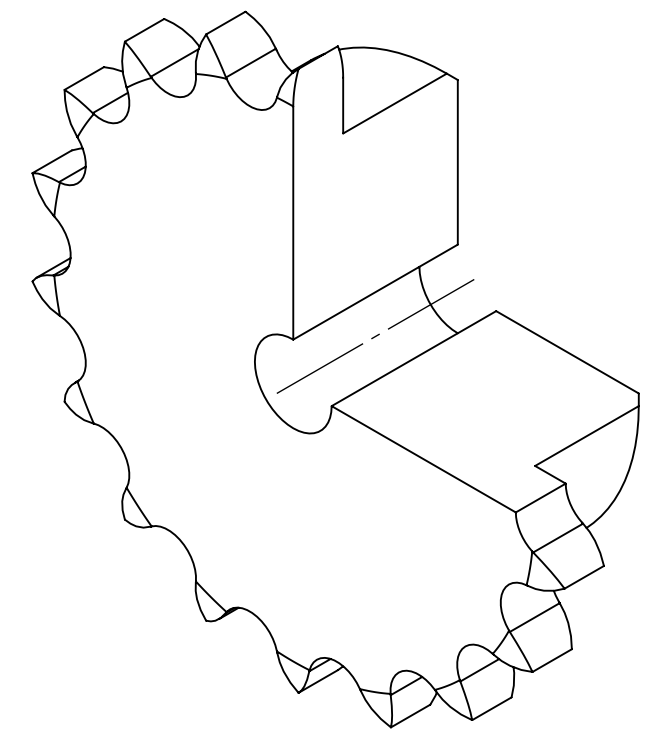
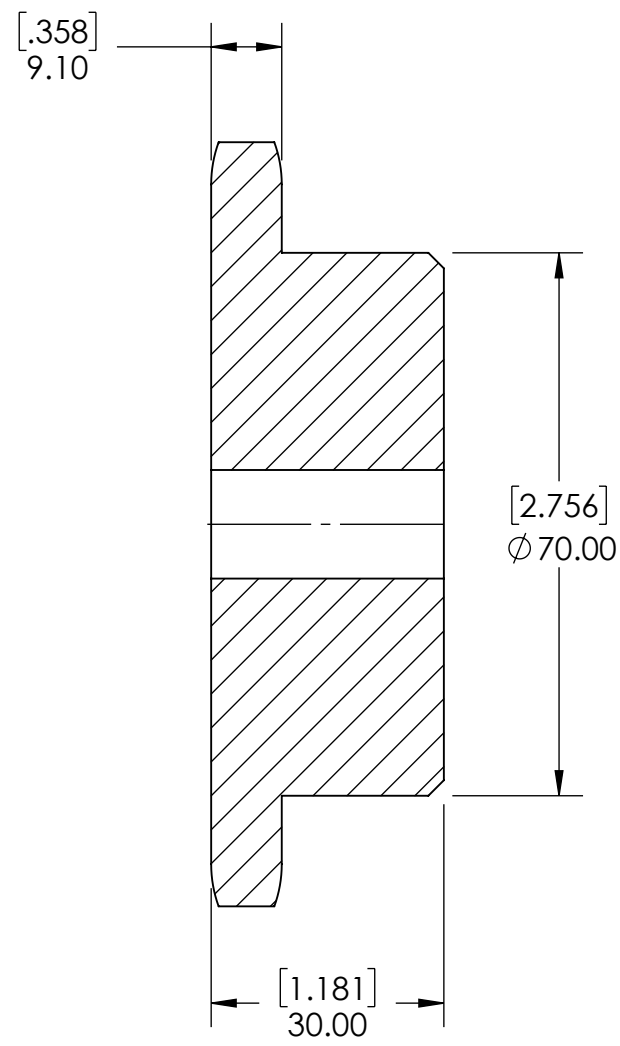
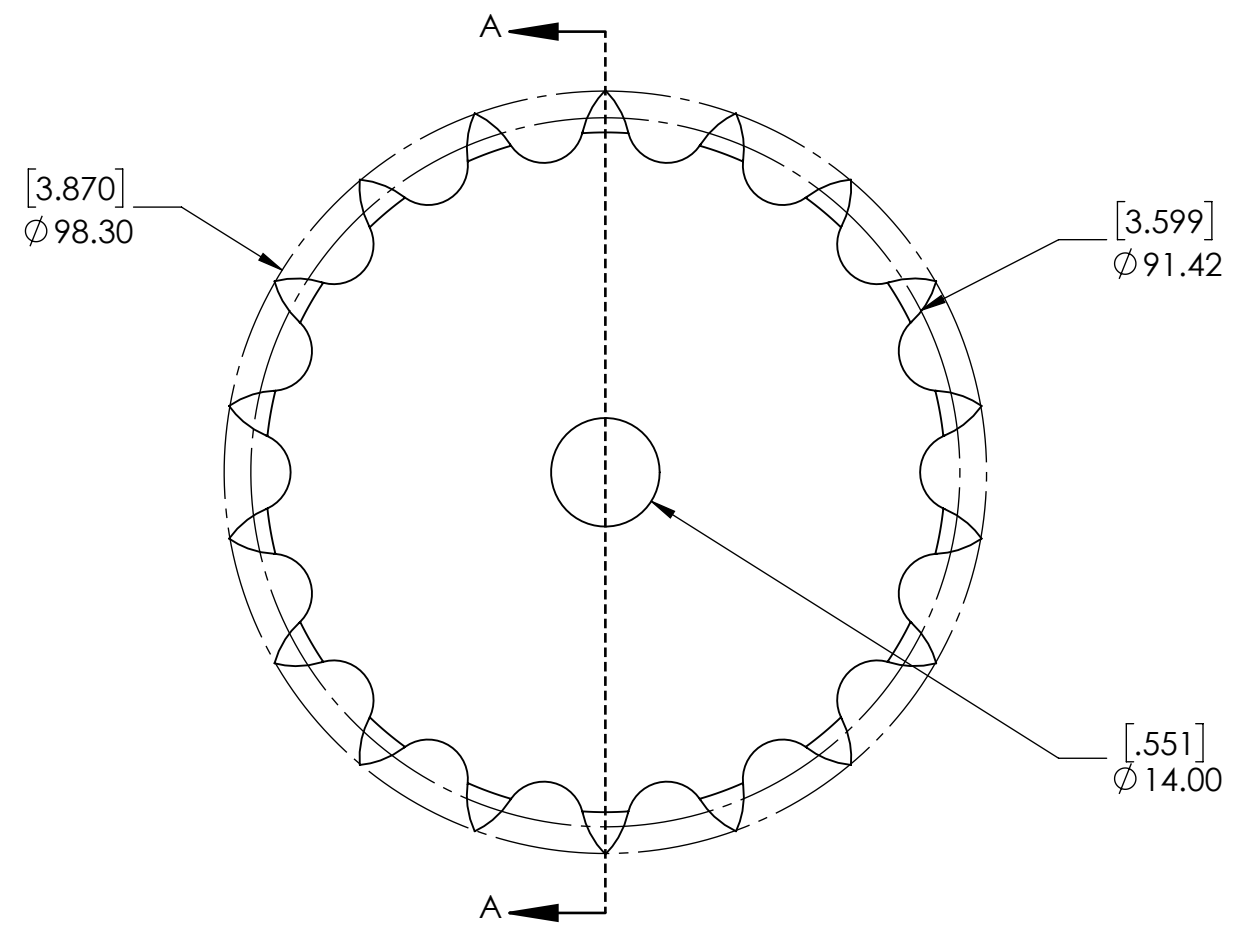


9 8 7 6 5 4 3 2 1

G  
F  
E  
D  
C  
B  
A

G  
F  
E  
D  
C  
B  
A



SECTION A-A

SPROCKETS SPECIFICATIONS		WEIGHT		DATE		BY		REVISION DESCRIPTION		REV
UNITS	mm (INCH)	2.25 LBS								
CHAIN SIZE	10B	MATERIAL	STEEL							
PITCH	15.88 mm	COATING	BLACK OXIDE	DRAWN	SEC	07/21/2025				
INNER WIDTH	9.65 mm	CHECKED	EG	07/21/2025						
ROLLER DIA.	10.16 mm	APPROVED								
TOOTH WIDTH	9.10 mm									
NUMBER OF TEETH	18									
HUB STYLE	B	DWG. NO.				ITEM DESCRIPTION:		10B-18B		SCALE
BORE TYPE	PLAIN BORE			<small>PROPRIETARY AND CONFIDENTIAL</small> <small>THE INFORMATION CONTAINED IN THIS DRAWING IS THE SOLE PROPERTY OF SOLVE IMG. ANY REPRODUCTION IN PART OR AS A WHOLE WITHOUT THE WRITTEN PERMISSION OF SOLVE IMG IS PROHIBITED.</small>						1:1
BUSHING NUMBER	N/A									REV
										-

9 8 7 6 5 4 3 2 1