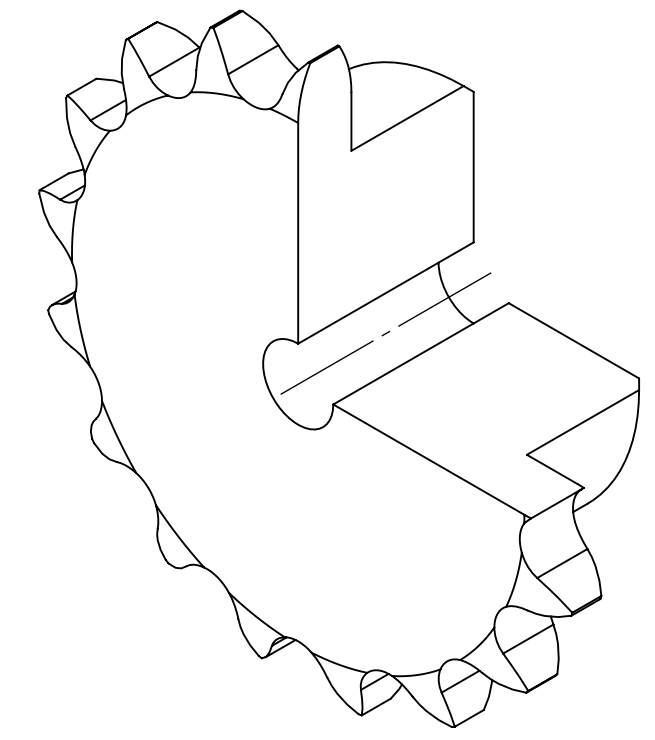
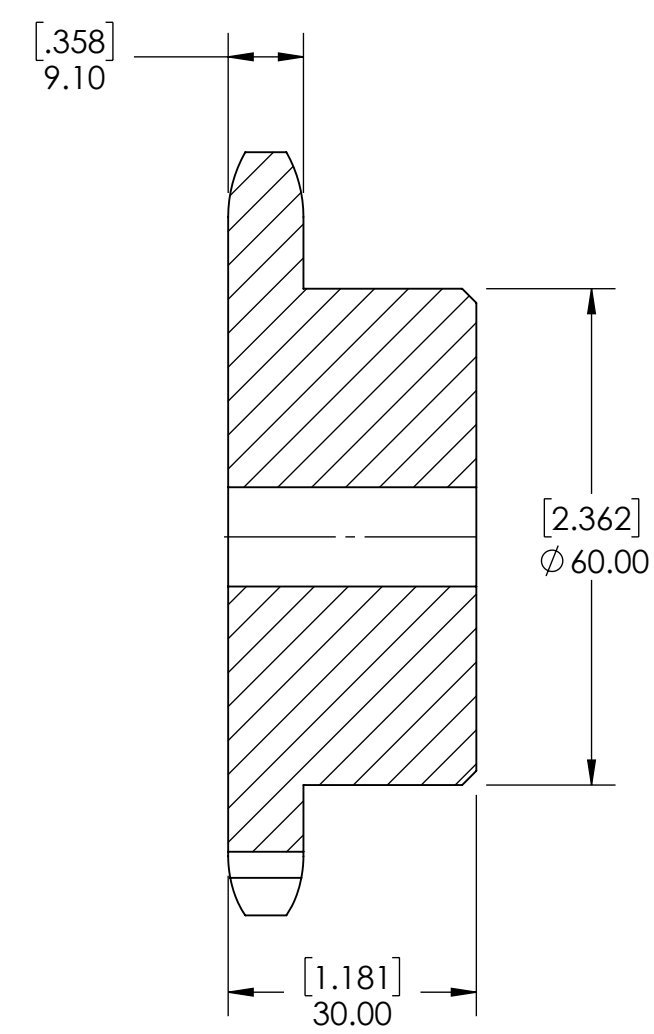
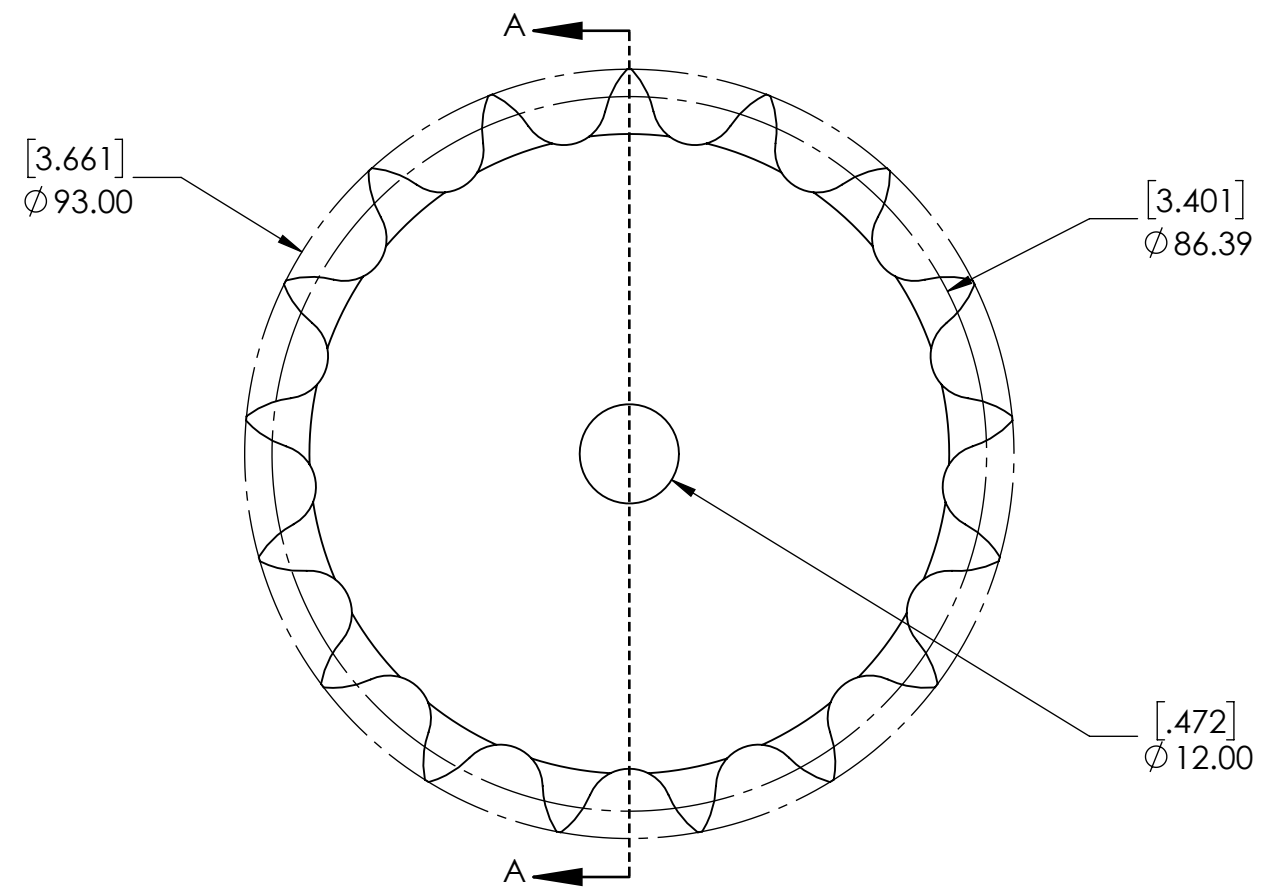


9 8 7 6 5 4 3 2 1

G
F
E
D
C
B
A

G
F
E
D
C
B
A



SECTION A-A

NOTES:
1. HARDENED TEETH.

SPROCKETS SPECIFICATIONS		WEIGHT		DATE		BY		REVISION DESCRIPTION		REV
UNITS	mm (INCH)	1.79 LBS								SCALE
CHAIN SIZE	10B	MATERIAL	STEEL							1:1
PITCH	15.88 mm	COATING	BLACK OXIDE							REV
INNER WIDTH	9.65 mm	DRAWN	SEC	07/21/2025					-	
ROLLER DIA.	10.16 mm	CHECKED	EG	07/21/2025						
TOOTH WIDTH	9.10 mm	APPROVED								
NUMBER OF TEETH	17									
HUB STYLE	B									
BORE TYPE	PLAIN BORE									
BUSHING NUMBER	N/A									
		DWG. NO.		ITEM DESCRIPTION:		10B-17BH				

9 8 7 6 5 4 3 2 1

A