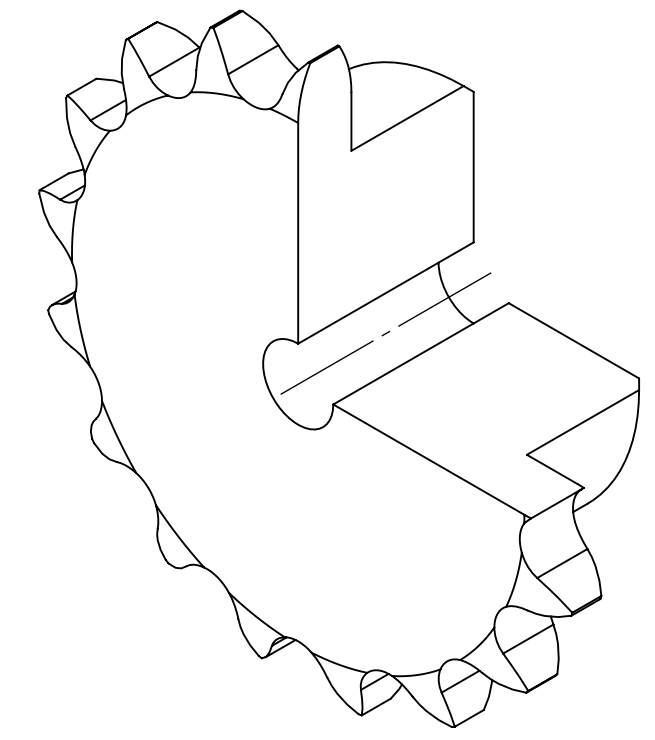
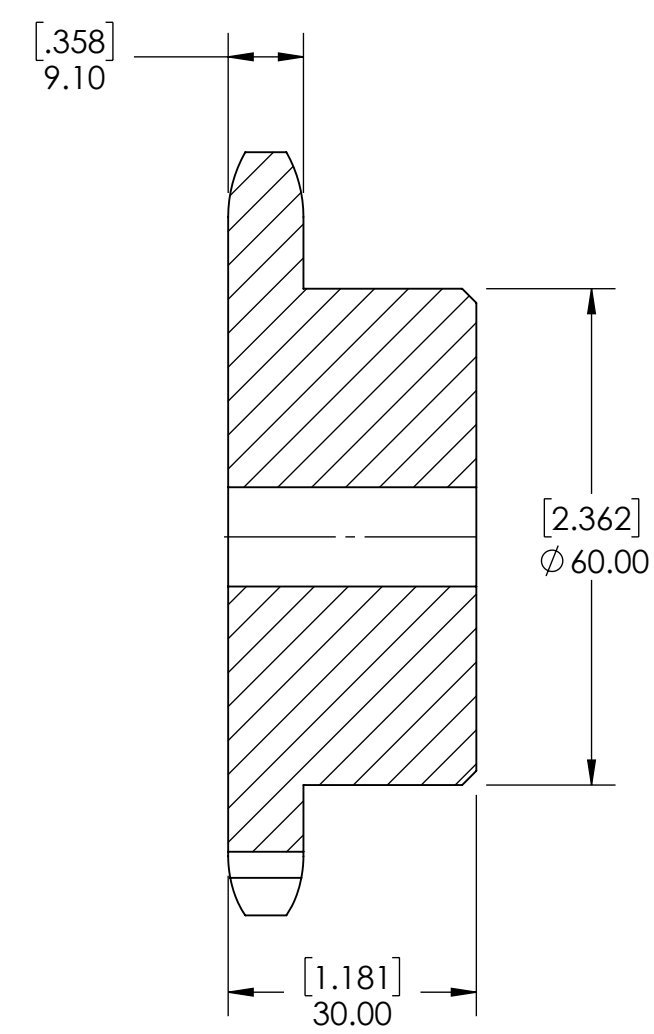
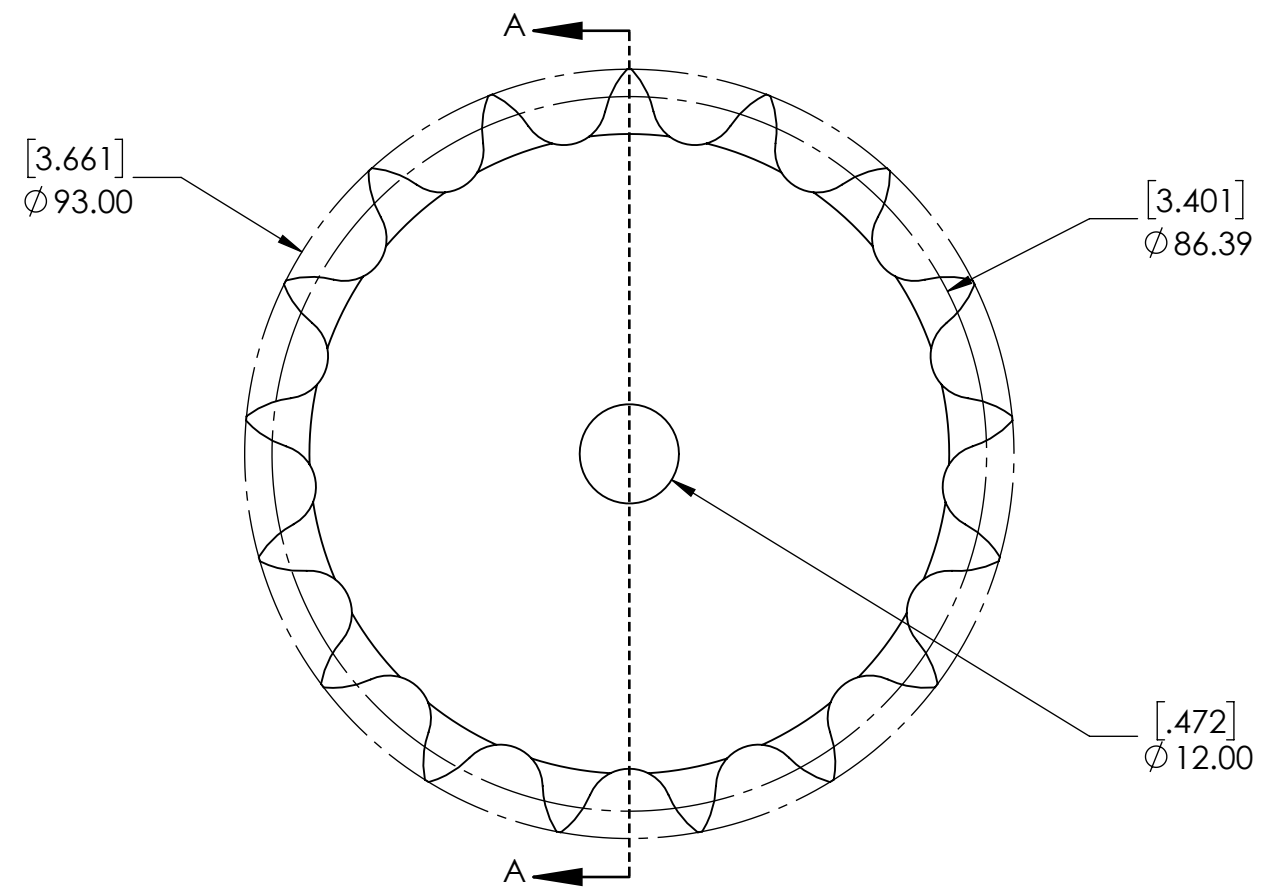


9 8 7 6 5 4 3 2 1

G  
F  
E  
D  
C  
B  
A

G  
F  
E  
D  
C  
B  
A



SECTION A-A

| SPROCKETS SPECIFICATIONS |            | WEIGHT   |             | 1.79 LBS             |  |
|--------------------------|------------|--|-------------|----------------------|--|
| UNITS                    | mm (INCH)  | MATERIAL   | STEEL       |                      |  |
| CHAIN SIZE               | 10B        | COATING  | BLACK OXIDE |                      |  |
| PITCH                    | 15.88 mm   | DRAWN  | SEC         | 07/21/2025           |  |
| INNER WIDTH              | 9.65 mm    | CHECKED  | EG          | 07/21/2025           |  |
| ROLLER DIA.              | 10.16 mm   | APPROVED   |             |                      |  |
| TOOTH WIDTH              | 9.10 mm    | DATE   | BY          | REVISION DESCRIPTION |  |
| NUMBER OF TEETH          | 17         | ITEM DESCRIPTION:  |             | 10B-17B              |  |
| HUB STYLE                | B          | DWG. NO.   |             | SCALE                |  |
| BORE TYPE                | PLAIN BORE |  |             | 1:1                  |  |
| BUSHING NUMBER           | N/A        | <b>PROPRIETARY AND CONFIDENTIAL</b><br><small>THE INFORMATION CONTAINED IN THIS DRAWING IS THE SOLE PROPERTY OF SOLVE IMG. ANY REPRODUCTION IN PART OR AS A WHOLE WITHOUT THE WRITTEN PERMISSION OF SOLVE IMG IS PROHIBITED.</small> |             | REV                  |  |
|                          |            |  |             | -                    |  |

9 8 7 6 5 4 3 2 1