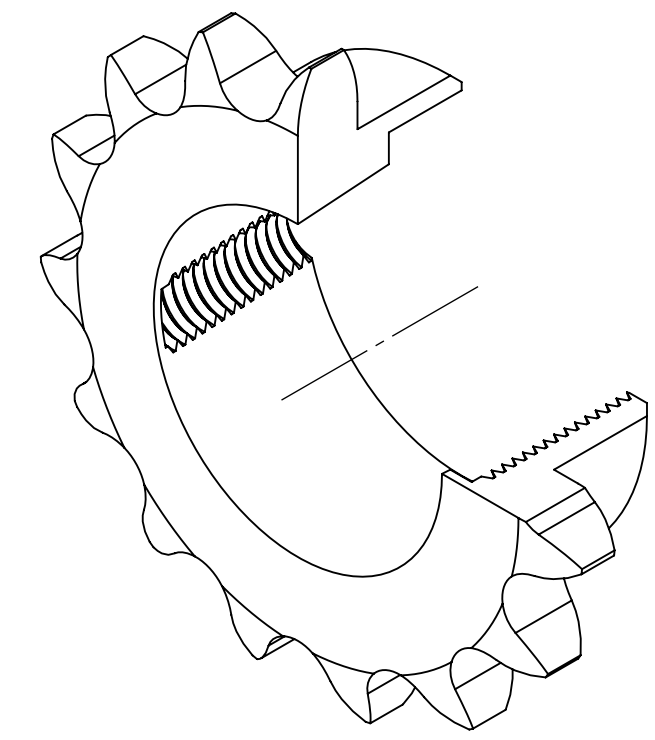
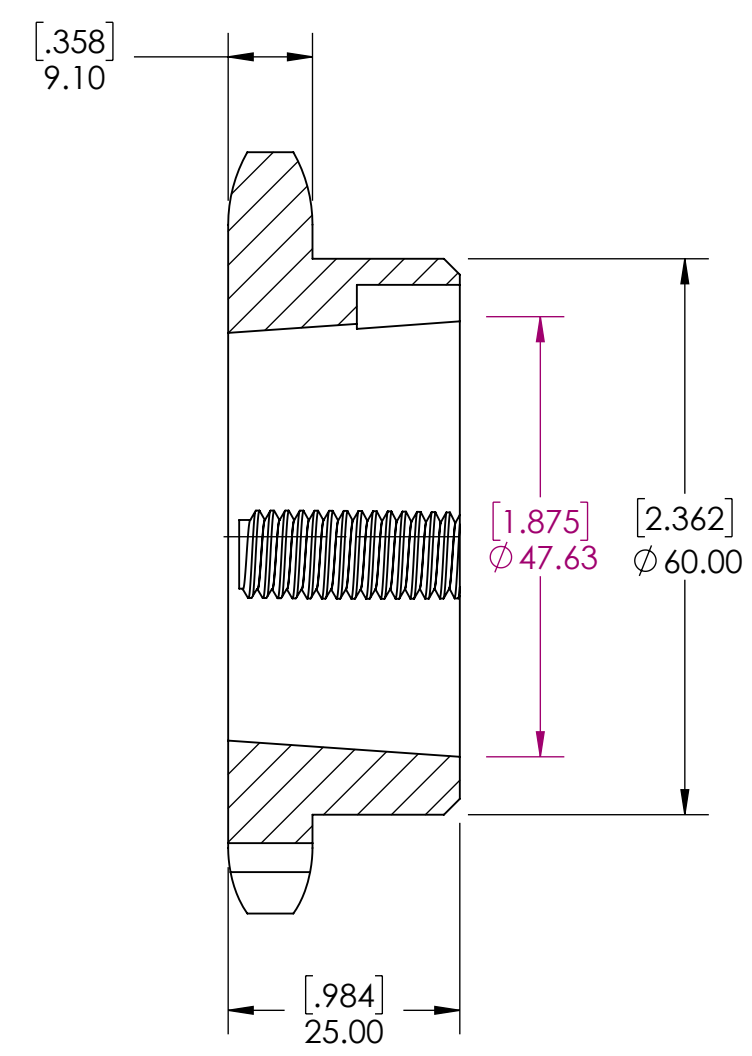
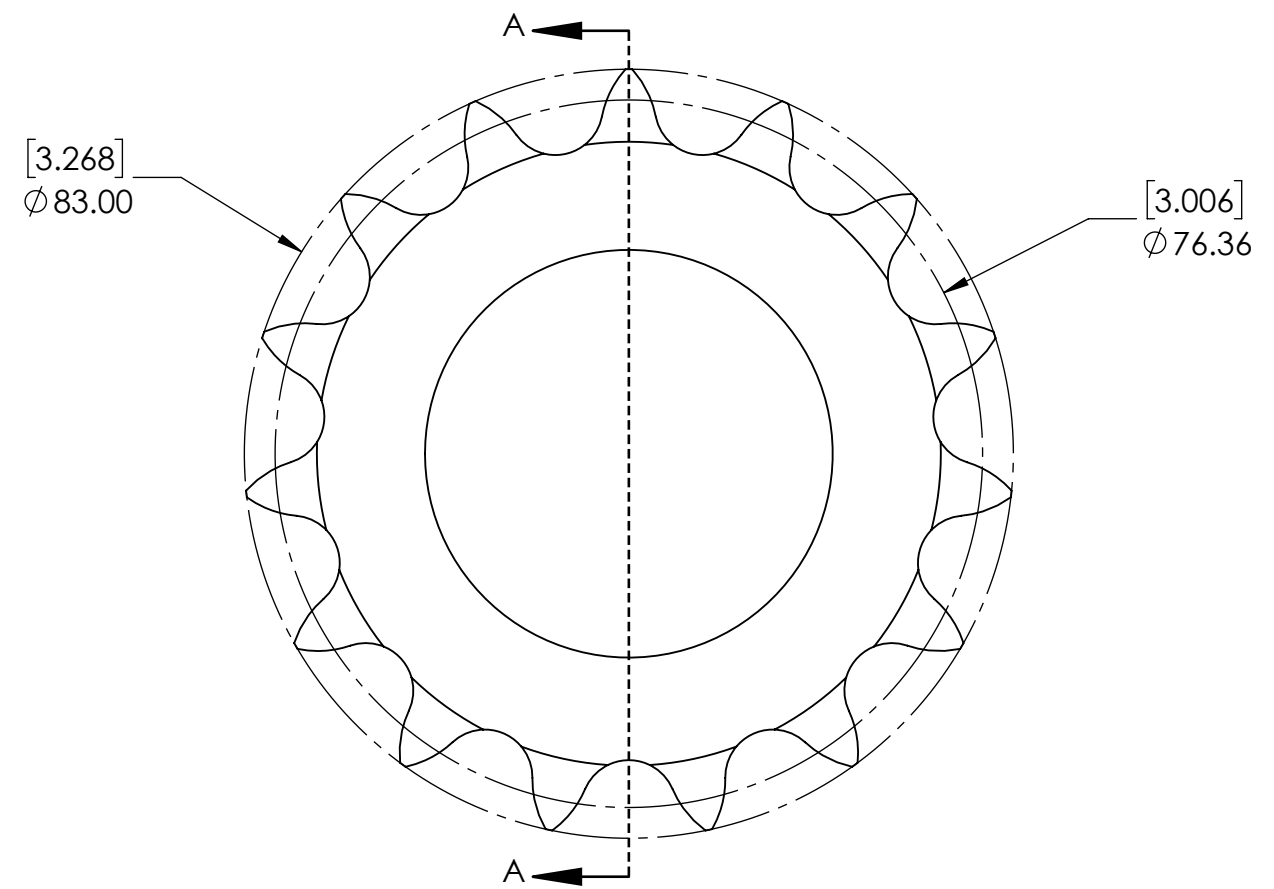


9 8 7 6 5 4 3 2 1

G
F
E
D
C
B
A

G
F
E
D
C
B
A



SECTION A-A

NOTES:
1. HARDENED TEETH.

SPROCKETS SPECIFICATIONS		WEIGHT		DATE		BY		REVISION DESCRIPTION		REV
UNITS	mm (INCH)	0.68 LBS								SCALE
CHAIN SIZE	10B	MATERIAL	STEEL							1:1
PITCH	15.88 mm	COATING	BLACK OXIDE							REV
INNER WIDTH	9.65 mm	DRAWN	SEC	07/21/2025					-	
ROLLER DIA.	10.16 mm	CHECKED	EG	07/21/2025						
TOOTH WIDTH	9.10 mm	APPROVED			ITEM DESCRIPTION:					
NUMBER OF TEETH	15	THIRD ANGLE PROJECTION				10B-15HTL-1210				
HUB STYLE	B	DWG. NO.		PROPRIETARY AND CONFIDENTIAL						
BORE TYPE	FOR TAPER BUSHING	SIZE		PTI						
BUSHING NUMBER	1210			THE INFORMATION CONTAINED IN THIS DRAWING IS THE SOLE PROPERTY OF SOLVE IMG. ANY REPRODUCTION IN PART OR AS A WHOLE WITHOUT THE WRITTEN PERMISSION OF SOLVE IMG IS PROHIBITED.						

9 8 7 6 5 4 3 2 1