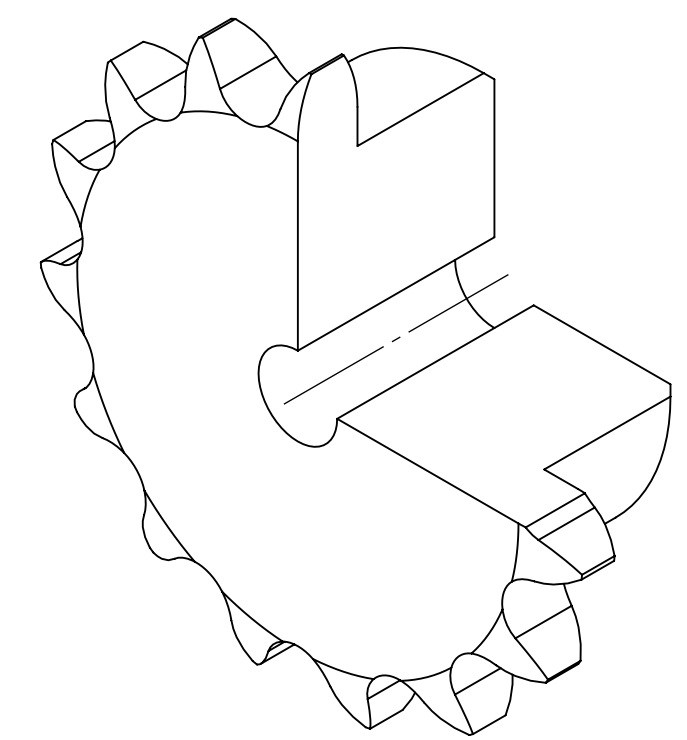
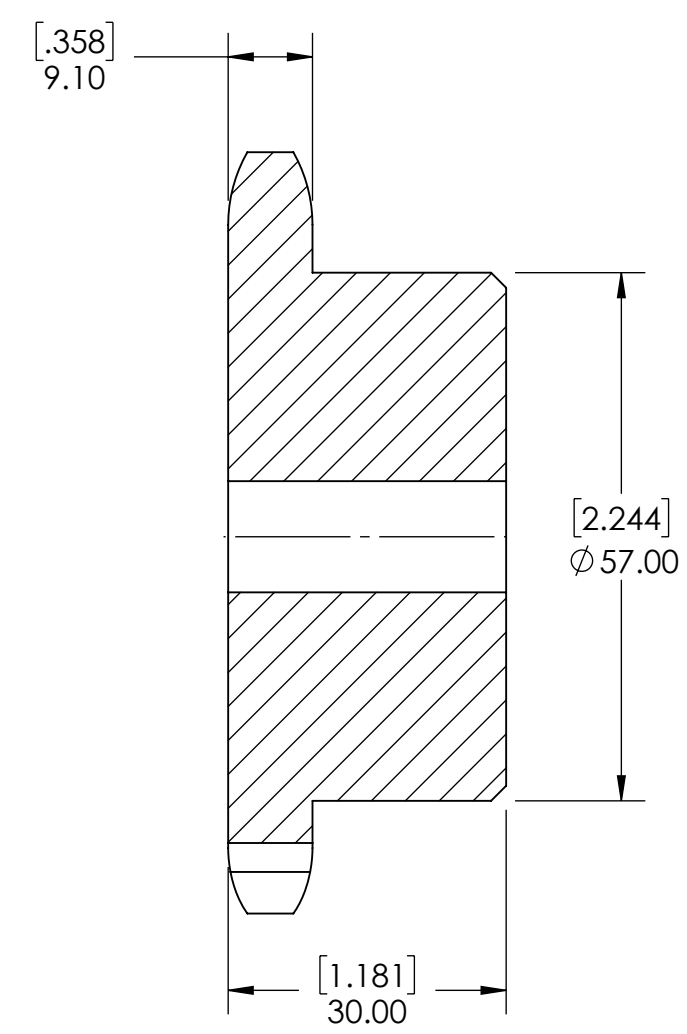
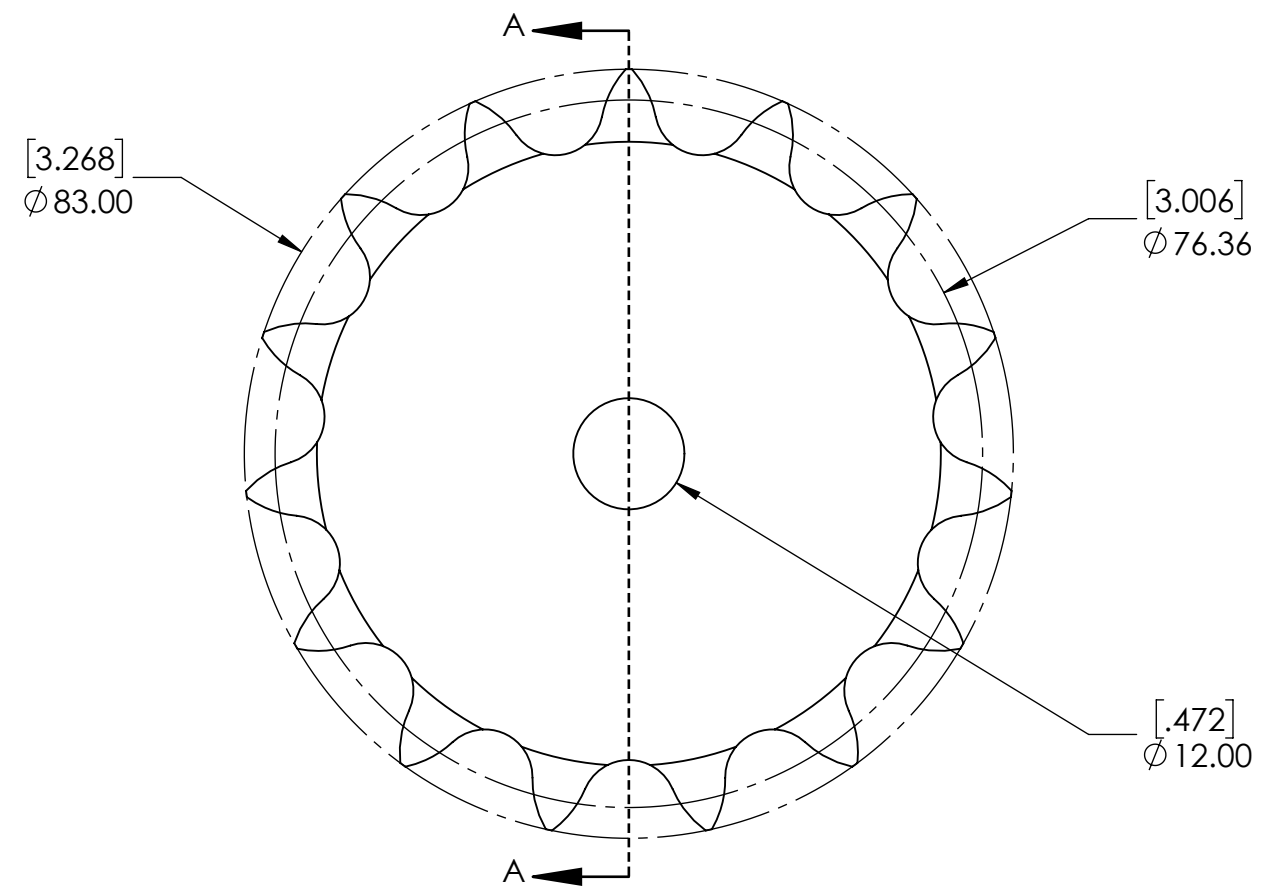


9 8 7 6 5 4 3 2 1

G  
F  
E  
D  
C  
B  
A

G  
F  
E  
D  
C  
B  
A



SECTION A-A

NOTES:  
1. HARDENED TEETH.

SPROCKETS SPECIFICATIONS		WEIGHT		DATE		BY		REVISION DESCRIPTION		REV
UNITS	mm (INCH)	1.50 LBS								SCALE
CHAIN SIZE	10B	MATERIAL	STEEL							1:1
PITCH	15.88 mm	COATING	BLACK OXIDE							REV
INNER WIDTH	9.65 mm	DRAWN	SEC	07/21/2025					-	
ROLLER DIA.	10.16 mm	CHECKED	EG	07/21/2025						
TOOTH WIDTH	9.10 mm	APPROVED			ITEM DESCRIPTION:		10B-15BH			
NUMBER OF TEETH	15	THIRD ANGLE PROJECTION								
HUB STYLE	B	DWG. NO.		PROPRIETARY AND CONFIDENTIAL						
BORE TYPE	PLAIN BORE	SIZE		PTI						
BUSHING NUMBER	N/A			THE INFORMATION CONTAINED IN THIS DRAWING IS THE SOLE PROPERTY OF SOLVE IMG. ANY REPRODUCTION IN PART OR AS A WHOLE WITHOUT THE WRITTEN PERMISSION OF SOLVE IMG IS PROHIBITED.						

9 8 7 6 5 4 3 2 1