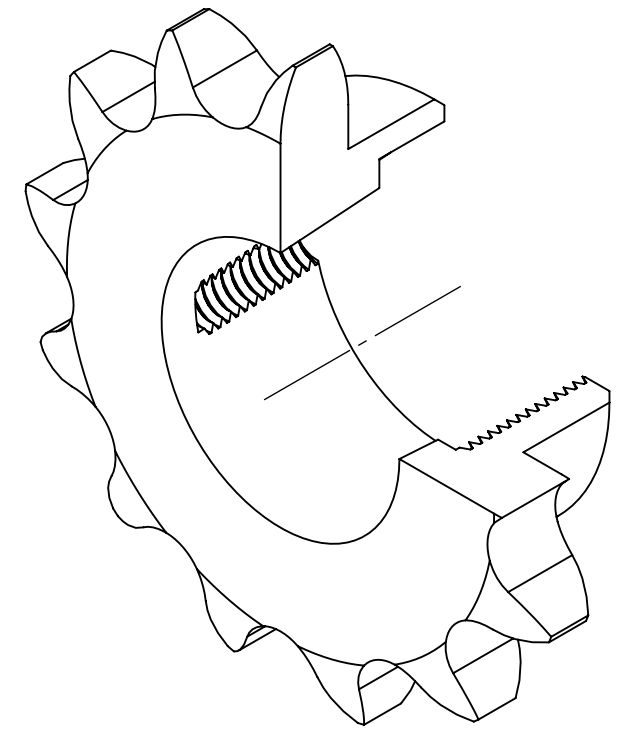
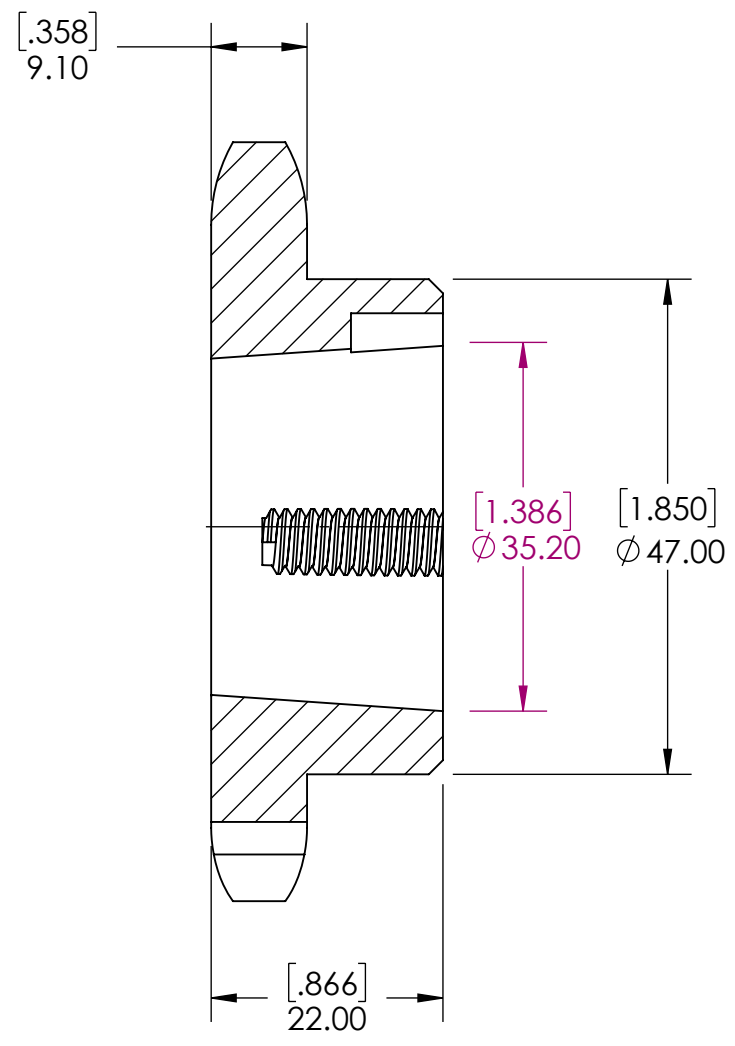
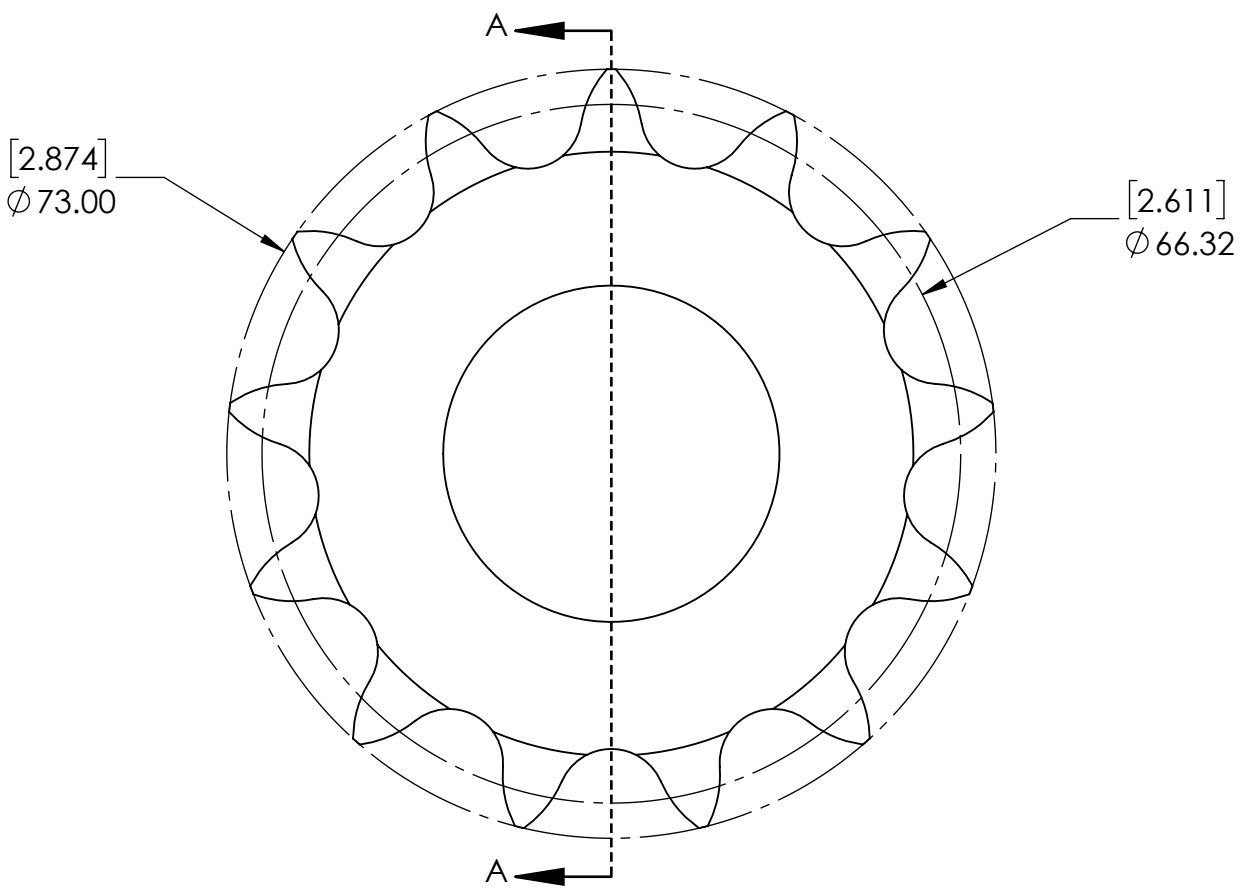


9 8 7 6 5 4 3 2 1

G
F
E
D
C
B
A



SECTION A-A

NOTES:
1. HARDENED TEETH.

SPROCKETS SPECIFICATIONS		WEIGHT		DATE		BY		REVISION DESCRIPTION		REV
UNITS	mm (INCH)	0.51 LBS								SCALE
CHAIN SIZE	10B	STEEL								1:1
PITCH	15.88 mm	BLACK OXIDE		07/21/2025						REV
INNER WIDTH	9.65 mm	DRAWN		EG						-
ROLLER DIA.	10.16 mm	CHECKED		EG						
TOOTH WIDTH	9.10 mm	APPROVED								
NUMBER OF TEETH	13	THIRD ANGLE PROJECTION								
HUB STYLE	B	DWG. NO.								
BORE TYPE	FOR TAPER BUSHING	PTI		PROPRIETARY AND CONFIDENTIAL		ITEM DESCRIPTION:		10B-13HTL-1008		
BUSHING NUMBER	100B	THE INFORMATION CONTAINED IN THIS DRAWING IS THE SOLE PROPERTY OF SOLVE IMG. ANY REPRODUCTION IN PART OR AS A WHOLE WITHOUT THE WRITTEN PERMISSION OF SOLVE IMG IS PROHIBITED.								

9 8 7 6 5 4 3 2 1