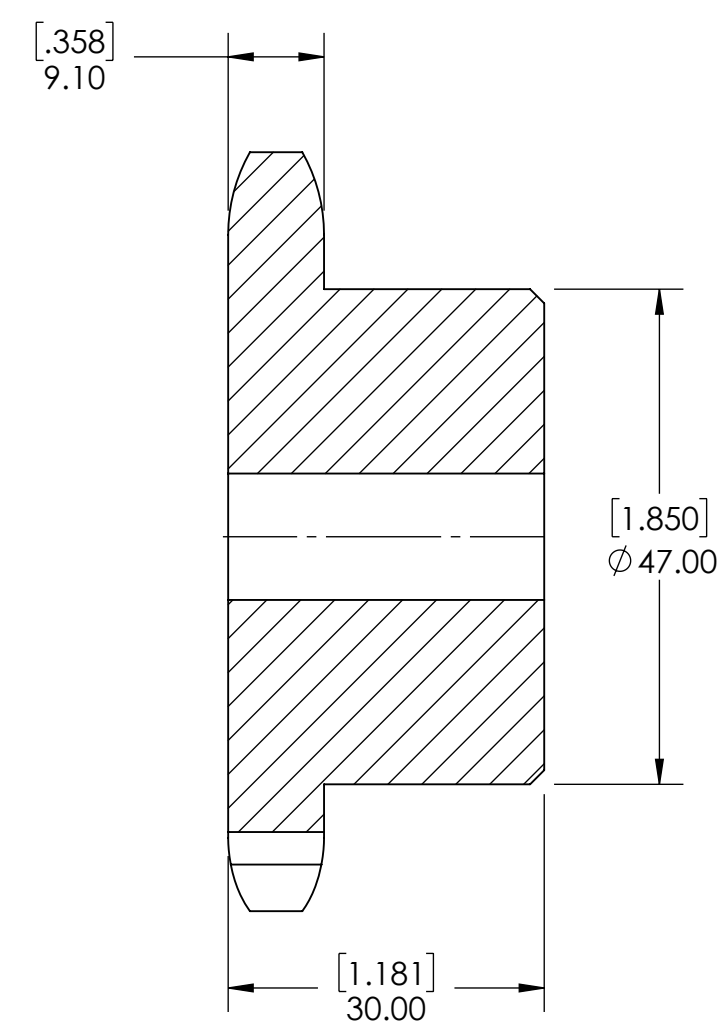
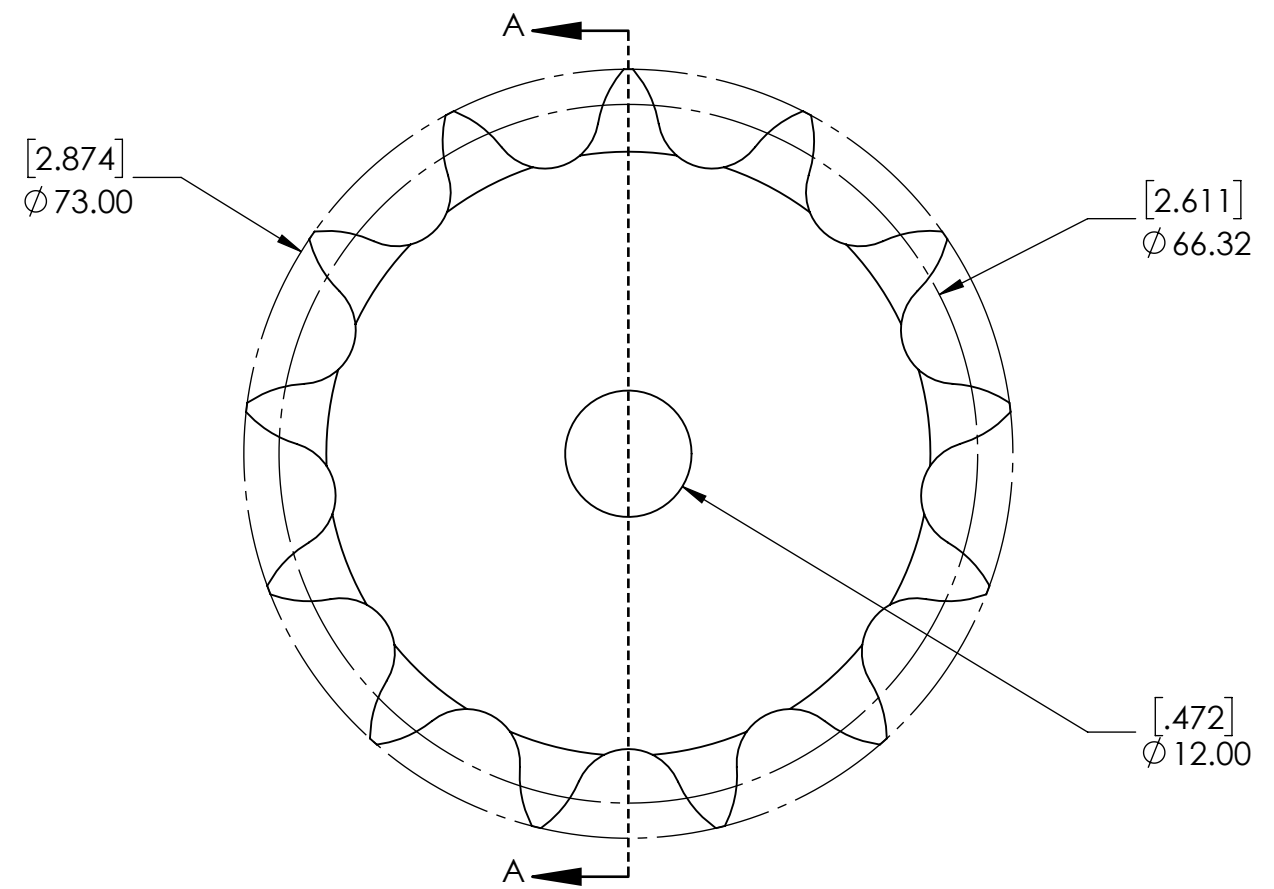


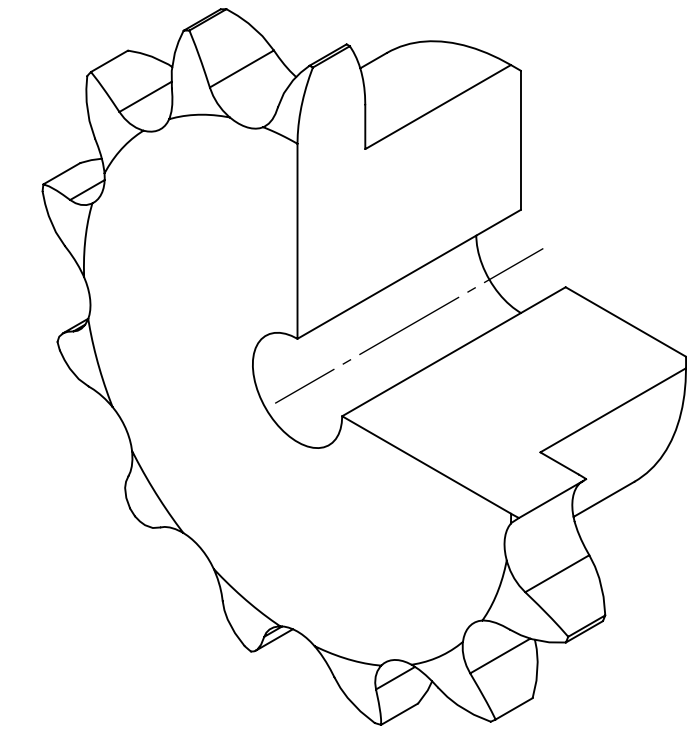
9 8 7 6 5 4 3 2 1

G  
F  
E  
D  
C  
B  
A

G  
F  
E  
D  
C  
B  
A



SECTION A-A



SPROCKETS SPECIFICATIONS		WEIGHT		1.04 LBS	
UNITS	mm (INCH)	MATERIAL	STEEL		
CHAIN SIZE	10B	COATING	BLACK OXIDE		
PITCH	15.88 mm	DRAWN	SEC	07/21/2025	
INNER WIDTH	9.65 mm	CHECKED	EG	07/21/2025	
ROLLER DIA.	10.16 mm	APPROVED			
TOOTH WIDTH	9.10 mm	DATE	BY	REVISION DESCRIPTION	
NUMBER OF TEETH	13	ITEM DESCRIPTION:			REV
HUB STYLE	B	10B-13B			SCALE
BORE TYPE	PLAIN BORE				1:1
BUSHING NUMBER	N/A				REV
					-



9 8 7 6 5 4 3 2 1