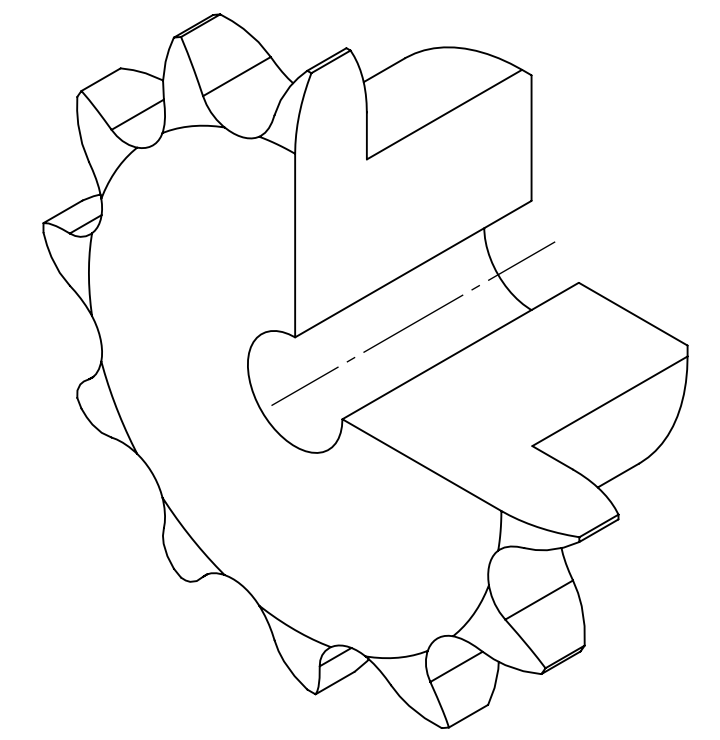
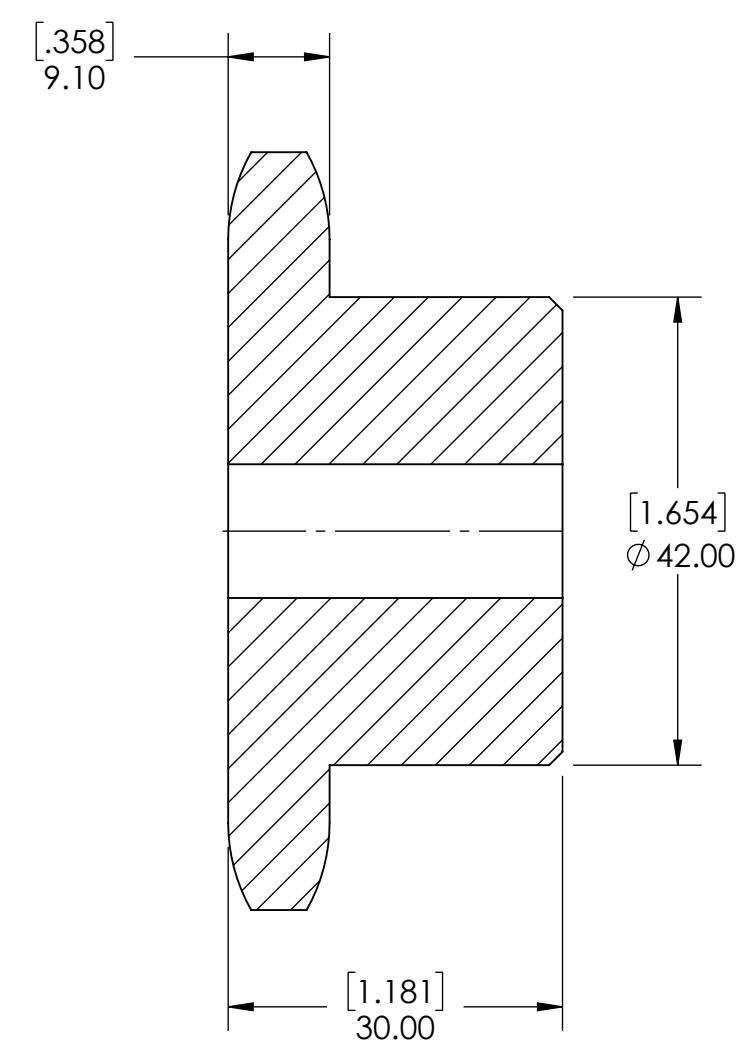
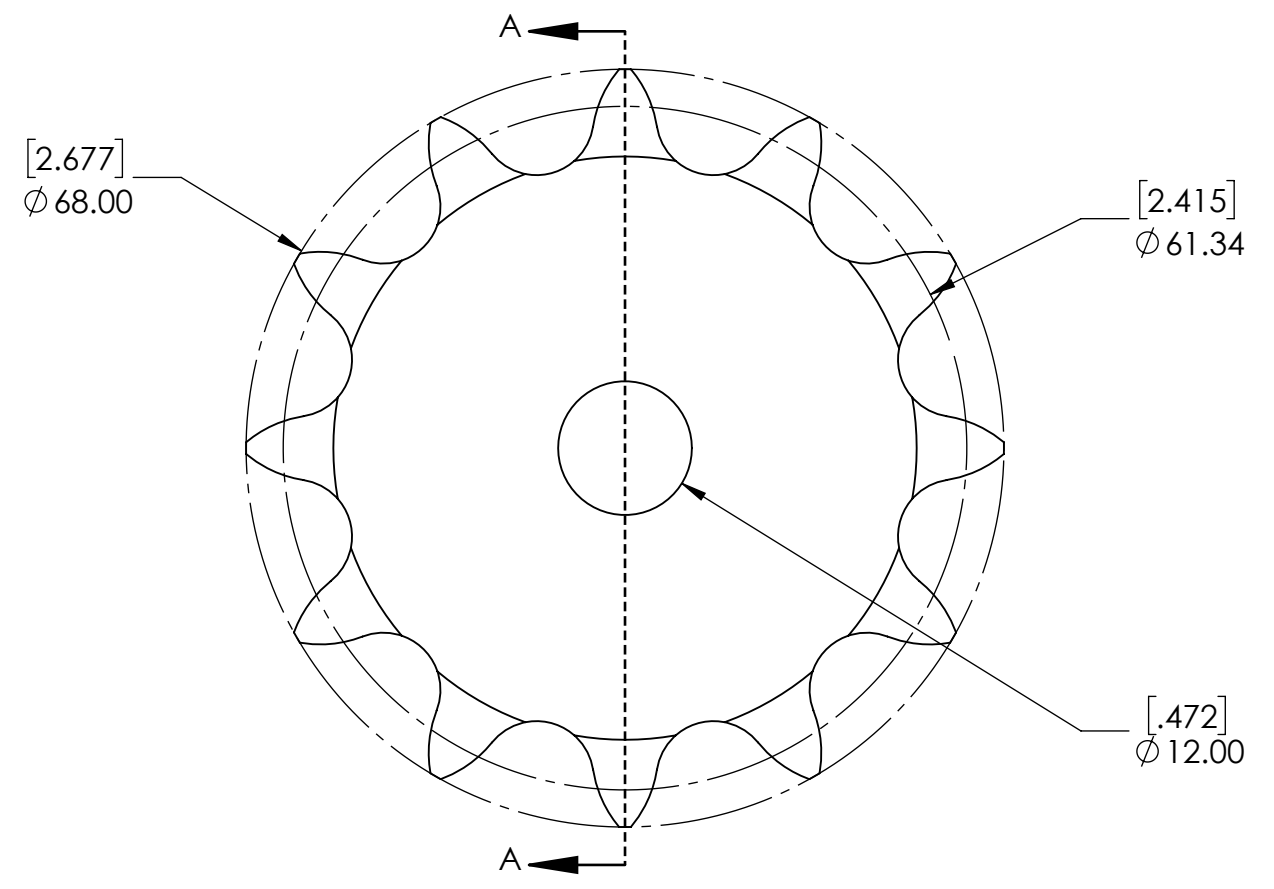


9 8 7 6 5 4 3 2 1

G F E D C B A



SECTION A-A

SPROCKETS SPECIFICATIONS		WEIGHT		DATE		BY		REVISION DESCRIPTION		REV
UNITS	mm (INCH)	0.84 LBS								
CHAIN SIZE	10B	STEEL								
PITCH	15.88 mm	BLACK OXIDE		DRAWN SEC 07/21/2025						
INNER WIDTH	9.65 mm			CHECKED EG 07/21/2025						
ROLLER DIA.	10.16 mm			APPROVED						
TOOTH WIDTH	9.10 mm									
NUMBER OF TEETH	12									
HUB STYLE	B									
BORE TYPE	PLAIN BORE									
BUSHING NUMBER	N/A									
		DWG. NO.		<p>PROPRIETARY AND CONFIDENTIAL</p> <p>THE INFORMATION CONTAINED IN THIS DRAWING IS THE SOLE PROPERTY OF SOLVE IMG. ANY REPRODUCTION IN PART OR AS A WHOLE WITHOUT THE WRITTEN PERMISSION OF SOLVE IMG IS PROHIBITED.</p>		ITEM DESCRIPTION:		10B-12B		SCALE
										1:1
										REV
										-

9 8 7 6 5 4 3 2 1

A B C D E F G