

9 8 7 6 5 4 3 2 1

G G

F F

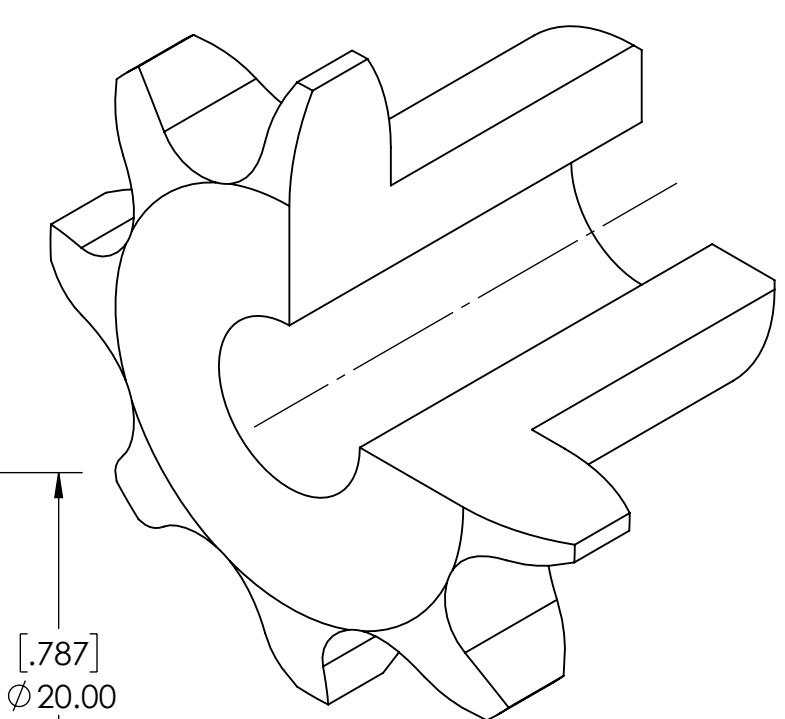
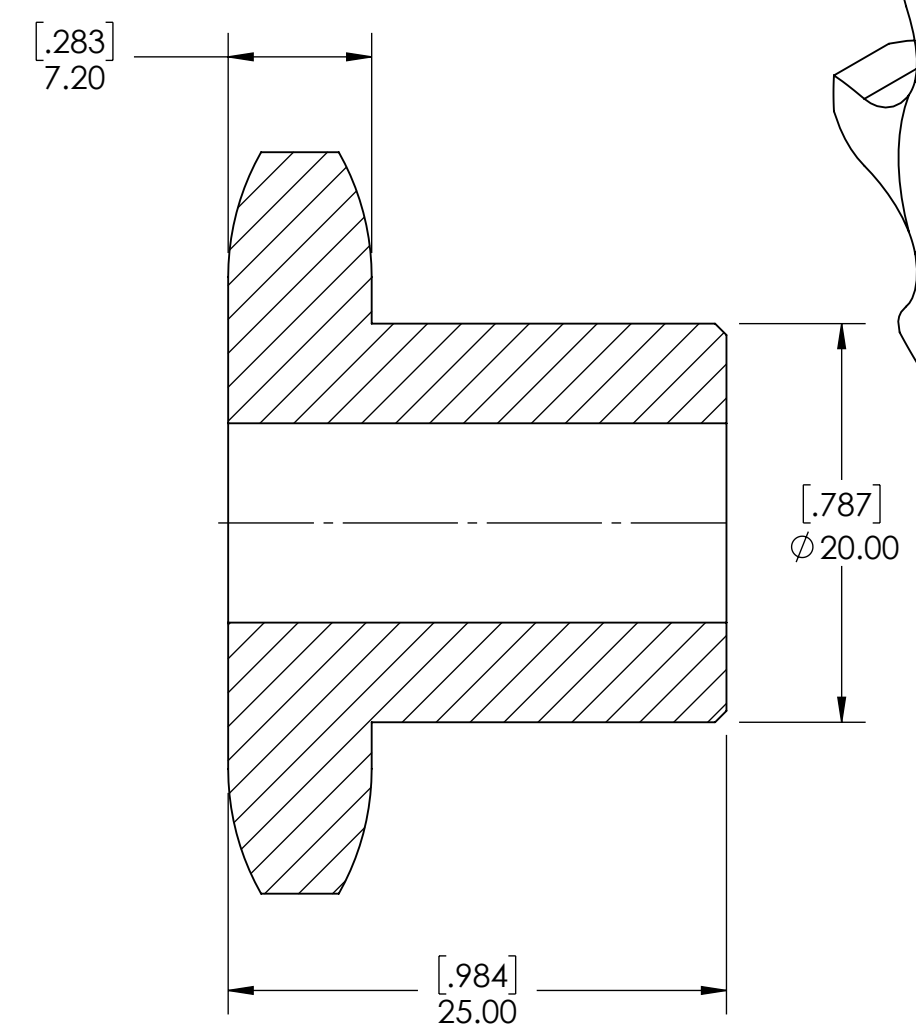
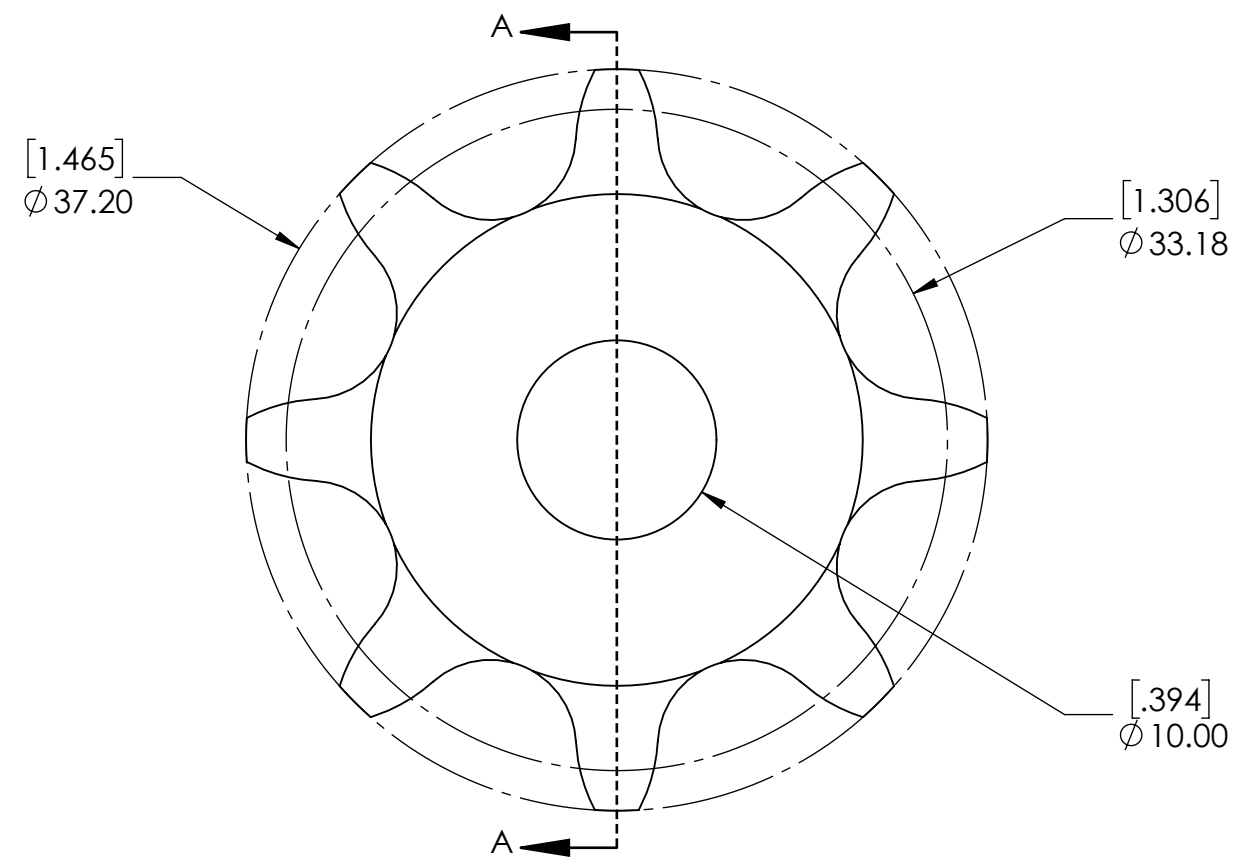
E E

D D

C C

B B

A A



SECTION A-A

SPROCKETS SPECIFICATIONS		WEIGHT		0.15 LBS	
UNITS	mm (INCH)	MATERIAL	STEEL		
CHAIN SIZE	08B	COATING	BLACK OXIDE		
PITCH	12.70 mm	DRAWN	SEC	07/21/2025	
INNER WIDTH	7.75 mm	CHECKED	PT	07/25/2025	
ROLLER DIA.	8.51 mm	APPROVED			
TOOTH WIDTH	7.20 mm	DATE			
NUMBER OF TEETH	8	ITEM DESCRIPTION:			SCALE
HUB STYLE	B	08B-8B			1:1
BORE TYPE	PLAIN BORE				REV
BUSHING NUMBER	N/A				-



PROPRIETARY AND CONFIDENTIAL
THE INFORMATION CONTAINED IN THIS DRAWING IS THE SOLE PROPERTY OF SOLVE IMG. ANY REPRODUCTION IN PART OR AS A WHOLE WITHOUT THE WRITTEN PERMISSION OF SOLVE IMG IS PROHIBITED.

9 8 7 6 5 4 3 2 1