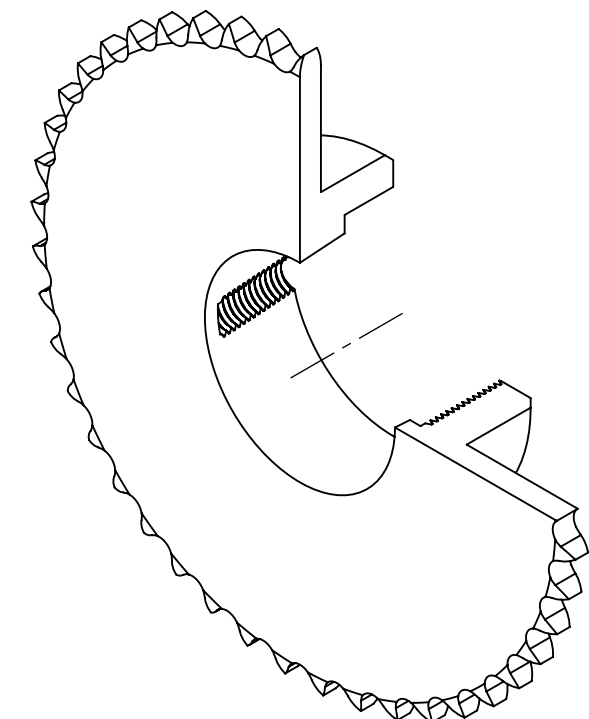
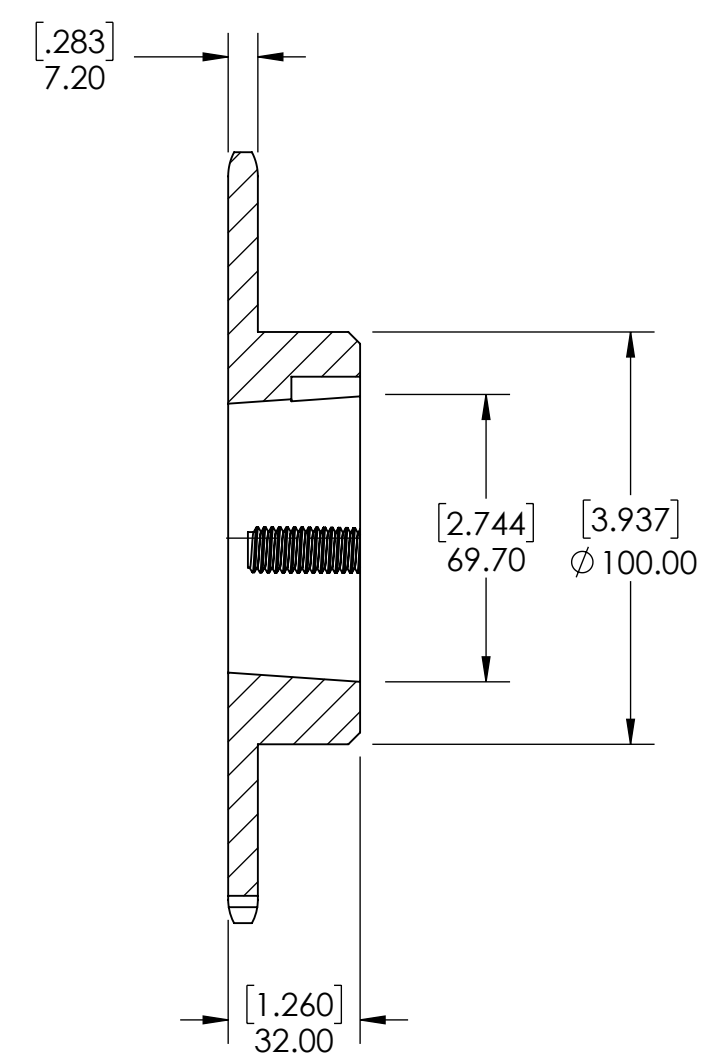
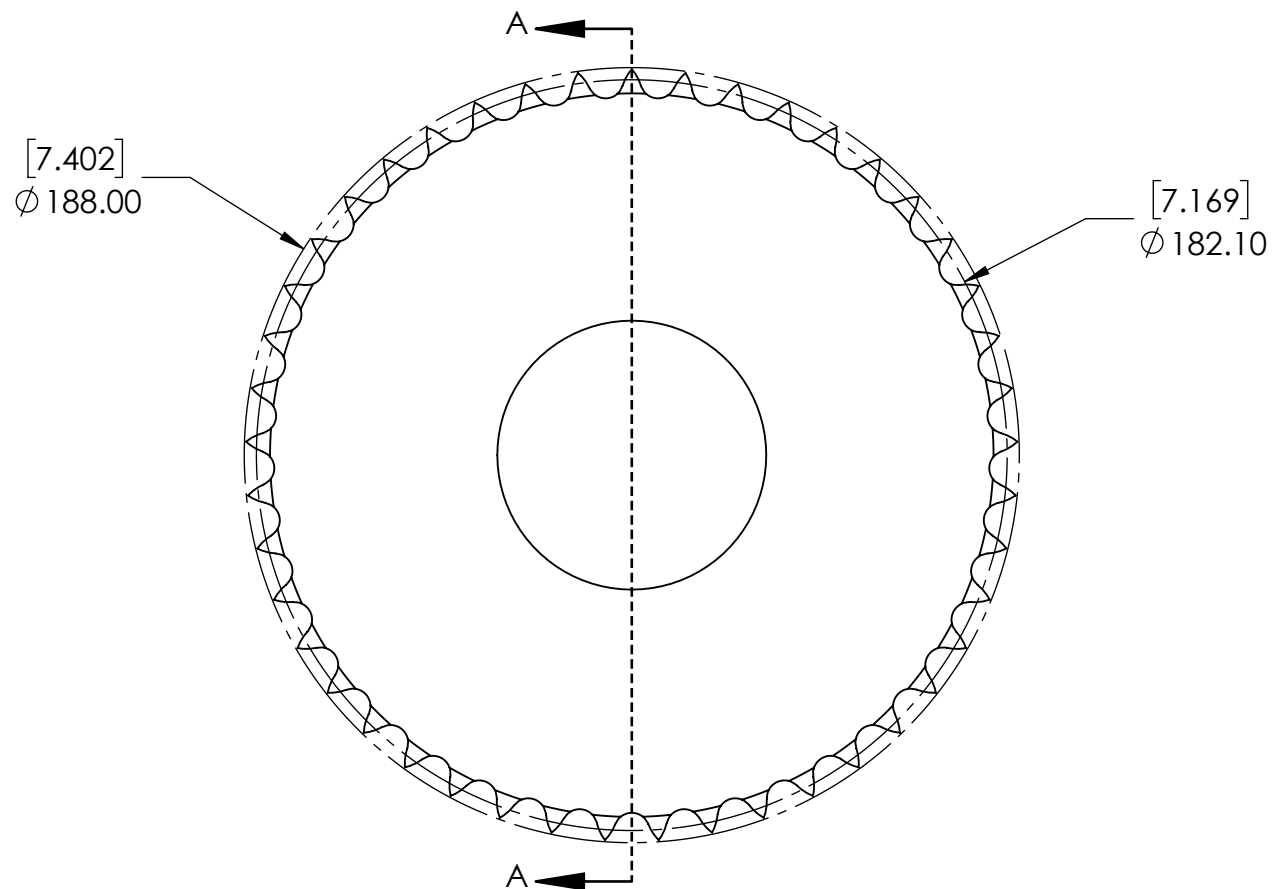


9 8 7 6 5 4 3 2 1

G F E D C B A



SECTION A-A

SPROCKETS SPECIFICATIONS		WEIGHT		DATE		BY		REVISION DESCRIPTION		REV
UNITS	mm (INCH)	4.42 LBS								SCALE
CHAIN SIZE	08B	STEEL								1:1
PITCH	12.70 mm	BLACK OXIDE		DRAWN SEC 07/21/2025						REV
INNER WIDTH	7.75 mm			CHECKED SEC 07/28/2025						-
ROLLER DIA.	8.51 mm			APPROVED						
TOOTH WIDTH	7.20 mm			THIRD ANGLE PROJECTION						
NUMBER OF TEETH	45			DATE						
HUB STYLE	B			BY						
BORE TYPE	FOR TAPER BUSHING	DWG. NO.		ITEM DESCRIPTION:						
BUSHING NUMBER	2012	08B-45TL-2012								

A B C D E F G

9 8 7 6 5 4 3 2 1