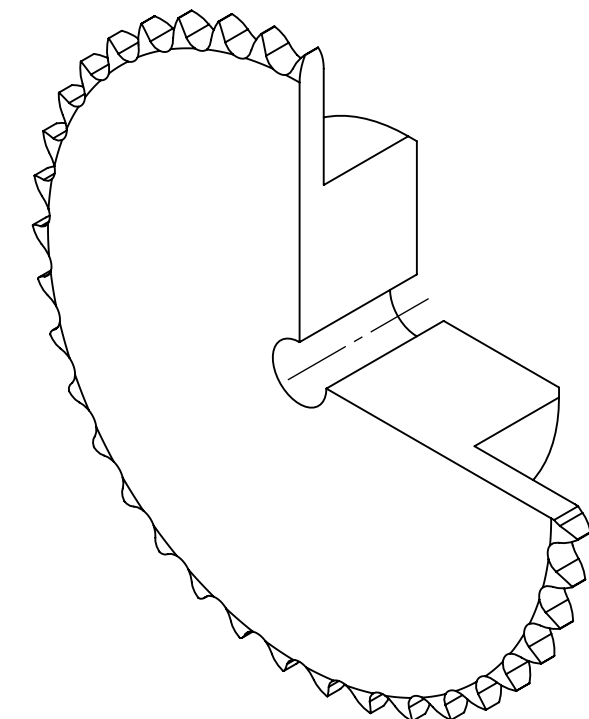
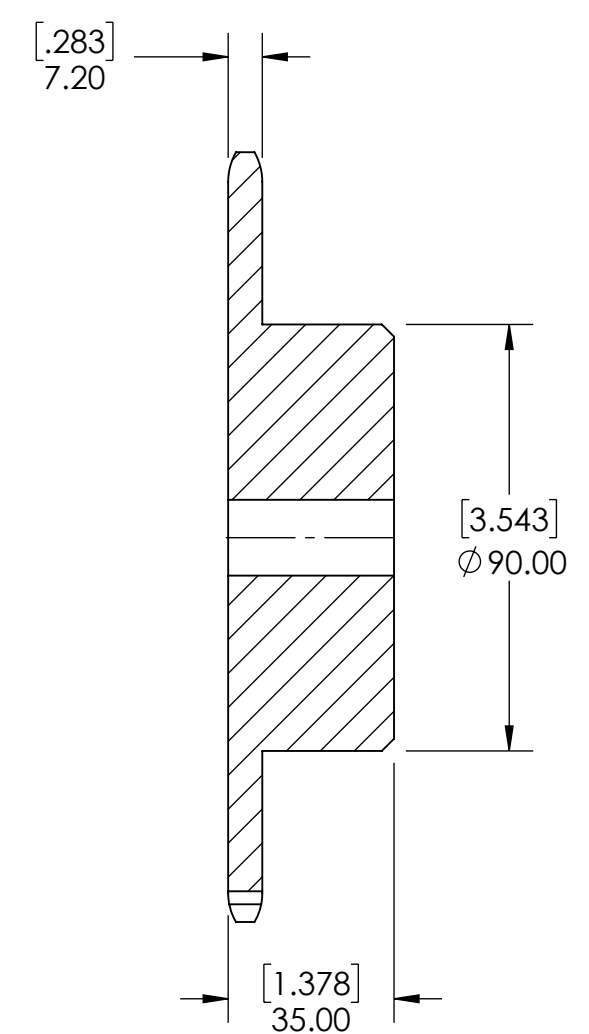
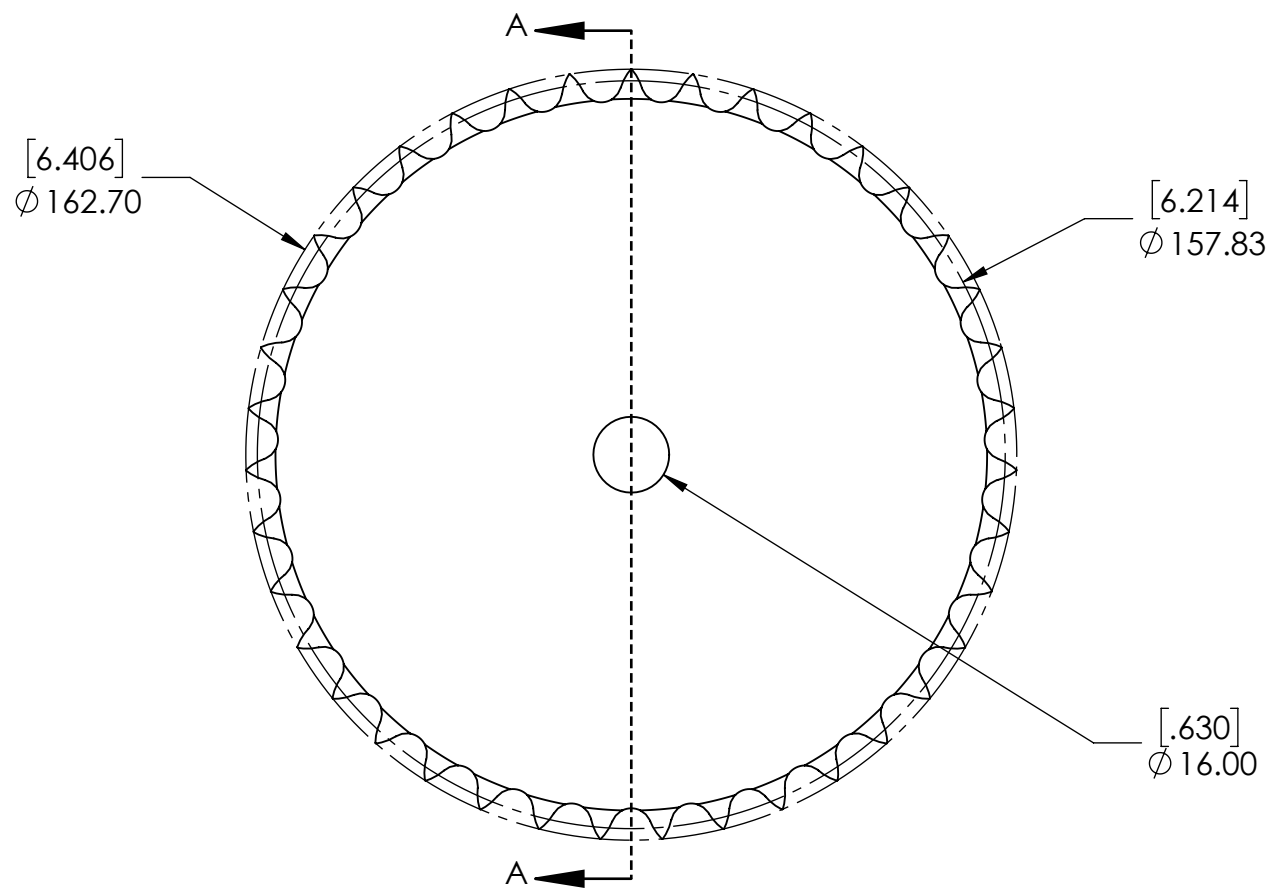


9 8 7 6 5 4 3 2 1

G F E D C B A



SECTION A-A

SPROCKETS SPECIFICATIONS		WEIGHT		5.23 LBS	
UNITS	mm (INCH)	MATERIAL	STEEL		
CHAIN SIZE	08B	COATING	BLACK OXIDE		
PITCH	12.70 mm	DRAWN	SEC	07/21/2025	
INNER WIDTH	7.75 mm	CHECKED			
ROLLER DIA.	8.51 mm	APPROVED			
TOOTH WIDTH	7.20 mm				
NUMBER OF TEETH	39				
HUB STYLE	B				
BORE TYPE	PLAIN BORE				
BUSHING NUMBER	N/A				

 	DWG. NO.		DATE	BY	REVISION DESCRIPTION	REV
		<p>PROPRIETARY AND CONFIDENTIAL</p> <p>THE INFORMATION CONTAINED IN THIS DRAWING IS THE SOLE PROPERTY OF SOLVE IMG. ANY REPRODUCTION IN PART OR AS A WHOLE WITHOUT THE WRITTEN PERMISSION OF SOLVE IMG IS PROHIBITED.</p>	ITEM DESCRIPTION:		08B-39B	SCALE
						1:1
						REV
						-

9 8 7 6 5 4 3 2 1

A