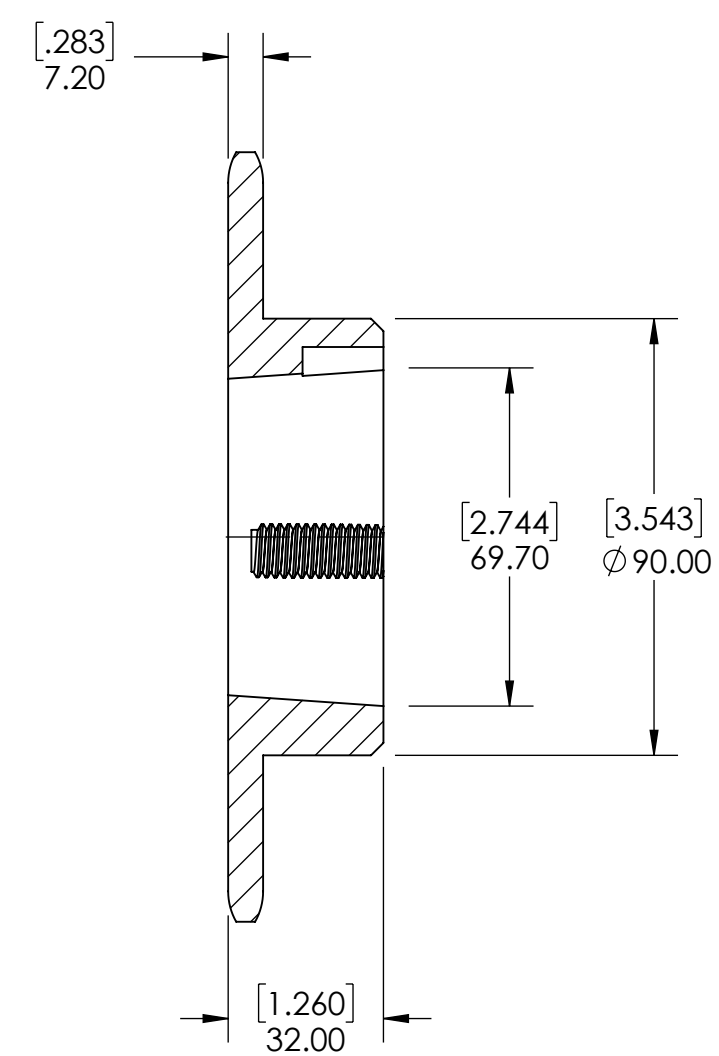
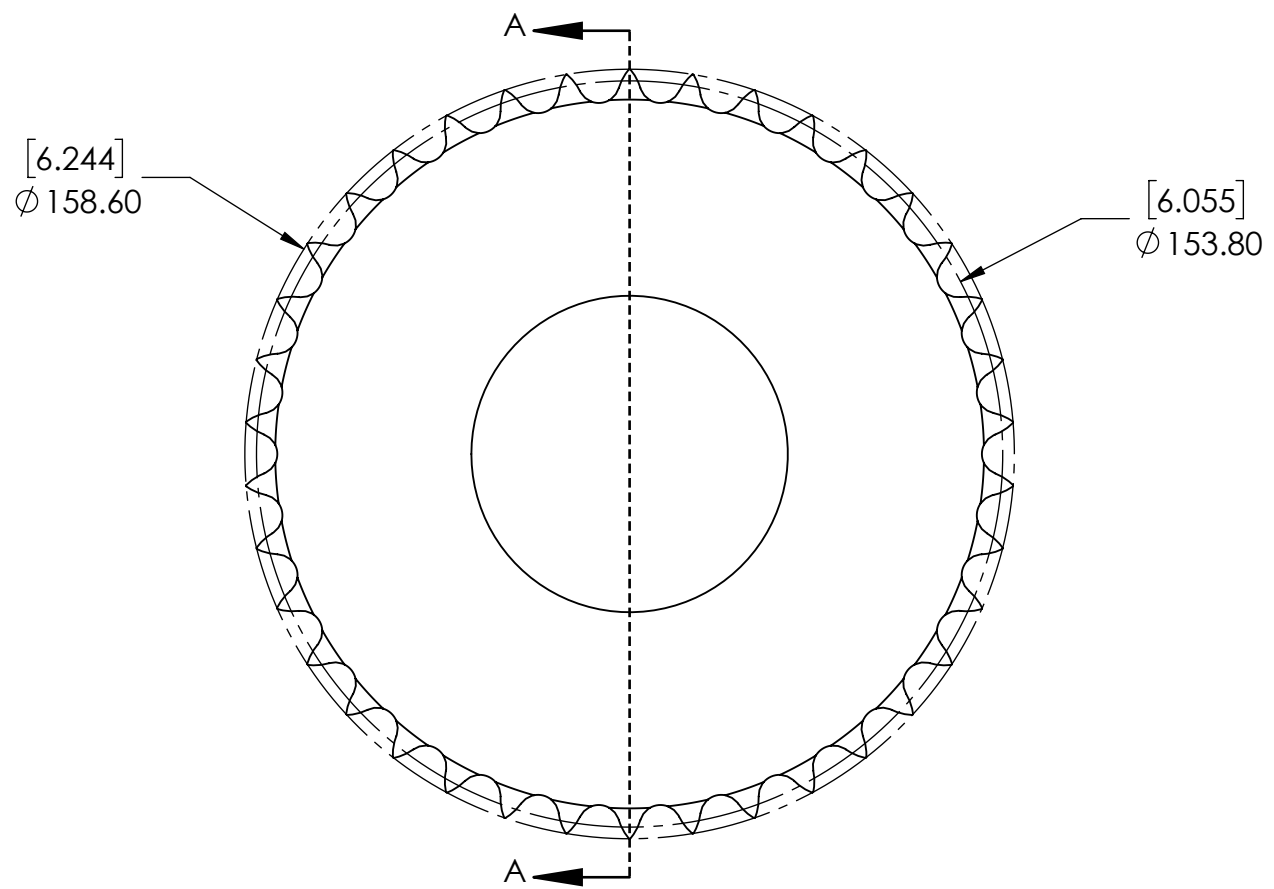
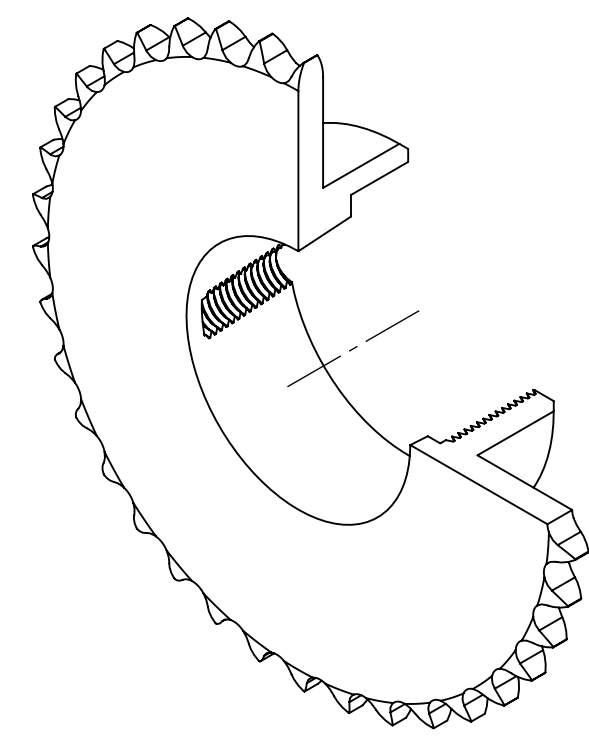


9 8 7 6 5 4 3 2 1

G F E D C B A



SECTION A-A



A B C D E F G

9 8 7 6 5 4 3 2 1

SPROCKETS SPECIFICATIONS		WEIGHT		DATE		BY		REVISION DESCRIPTION		REV
UNITS	mm (INCH)	2.88 LBS								
CHAIN SIZE	08B	STEEL								
PITCH	12.70 mm	BLACK OXIDE		07/21/2025						
INNER WIDTH	7.75 mm	DRAWN		SEC						
ROLLER DIA.	8.51 mm	CHECKED		SEC						
TOOTH WIDTH	7.20 mm	APPROVED		07/28/2025						
NUMBER OF TEETH	38									
HUB STYLE	B									
BORE TYPE	FOR TAPER BUSHING	DWG. NO.		DATE		BY		REVISION DESCRIPTION		SCALE
BUSHING NUMBER	2012	4		3		2		1		1:1
				<small>PROPRIETARY AND CONFIDENTIAL</small> <small>THE INFORMATION CONTAINED IN THIS DRAWING IS THE SOLE PROPERTY OF SOLVE IMG. ANY REPRODUCTION IN PART OR AS A WHOLE WITHOUT THE WRITTEN PERMISSION OF SOLVE IMG IS PROHIBITED.</small>		ITEM DESCRIPTION:		08B-38TL-2012		REV
										-