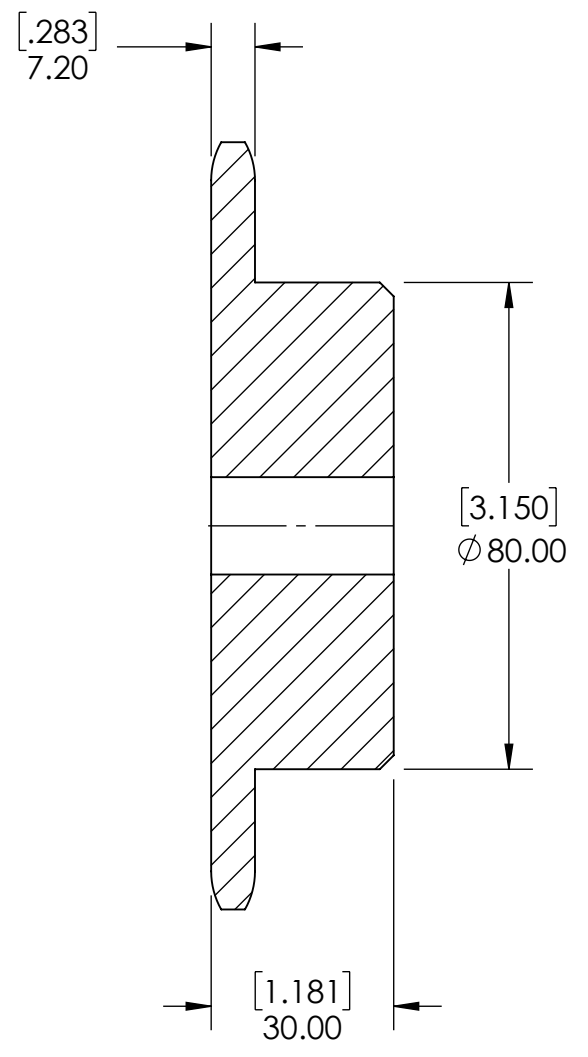
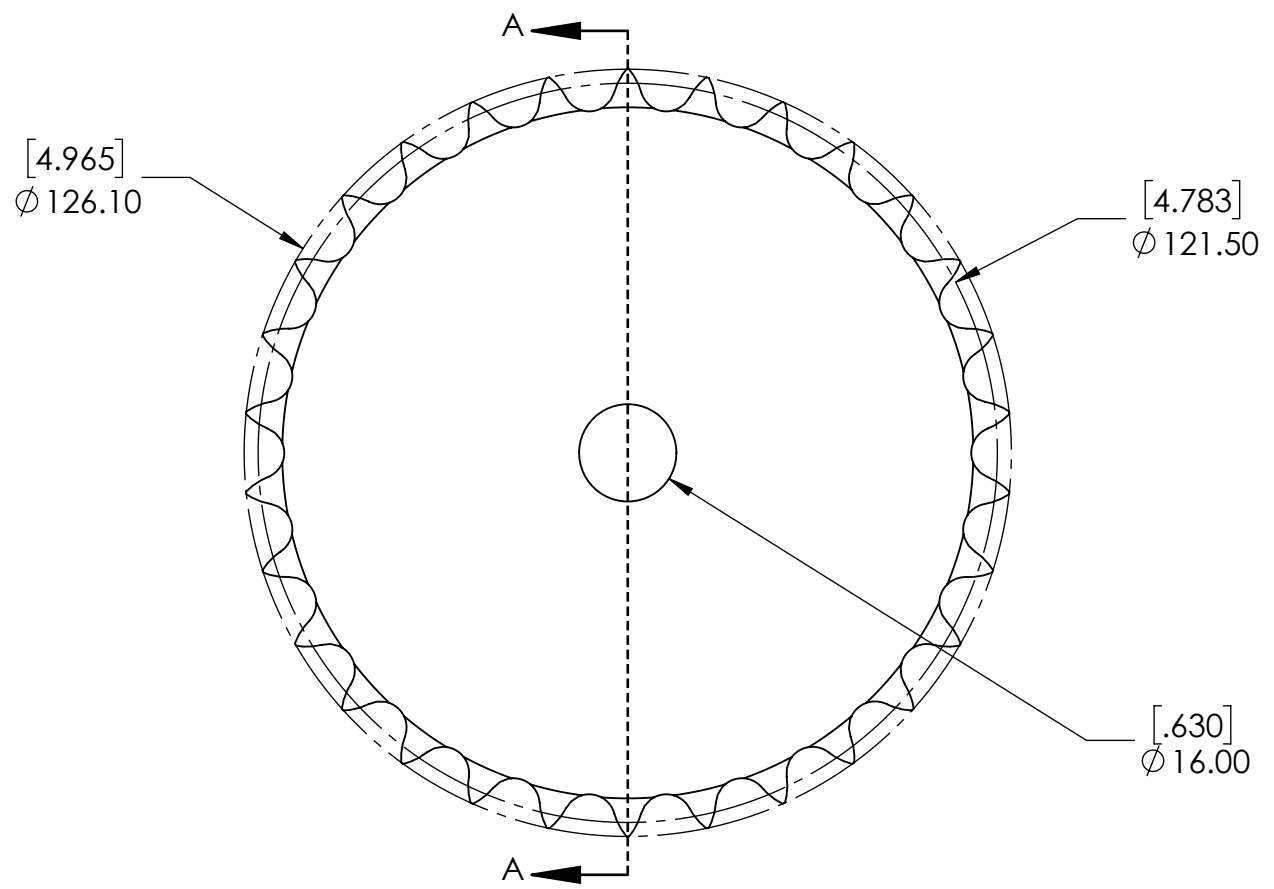


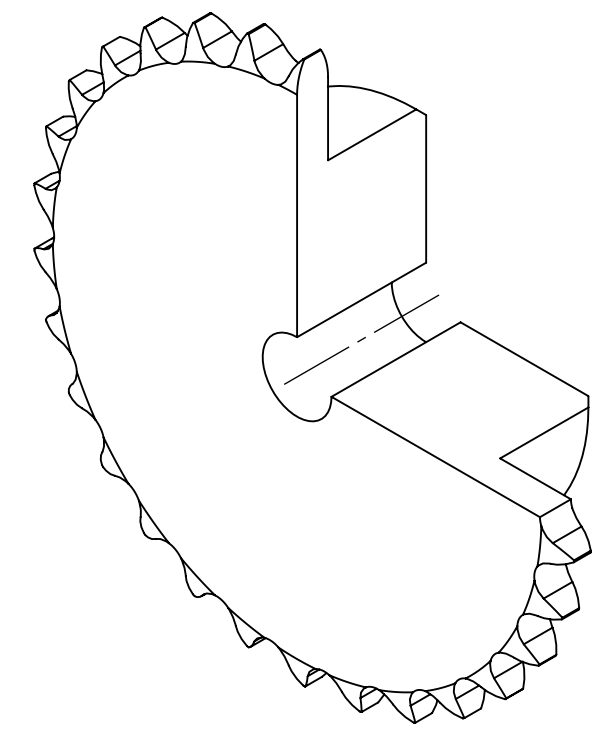
9 8 7 6 5 4 3 2 1

G
F
E
D
C
B
A

G
F
E
D
C
B
A



SECTION A-A



SPROCKETS SPECIFICATIONS		WEIGHT		3.27 LBS	
UNITS	mm (INCH)	MATERIAL	STAINLESS STEEL		
CHAIN SIZE	08B	COATING	N/A		
PITCH	12.70 mm	DRAWN	SEC	07/21/2025	
INNER WIDTH	7.75 mm	CHECKED	PT	07/24/2025	
ROLLER DIA.	8.51 mm	APPROVED			
TOOTH WIDTH	7.20 mm				
NUMBER OF TEETH	30				
HUB STYLE	B				
BORE TYPE	PLAIN BORE				
BUSHING NUMBER	N/A				
SIZE PTI		DWG. NO.		DATE	
				BY	
				REVISION DESCRIPTION	
				ITEM DESCRIPTION:	
				08B-30BSS	
				SCALE	
				1:1	
				REV	
				-	

9 8 7 6 5 4 3 2 1