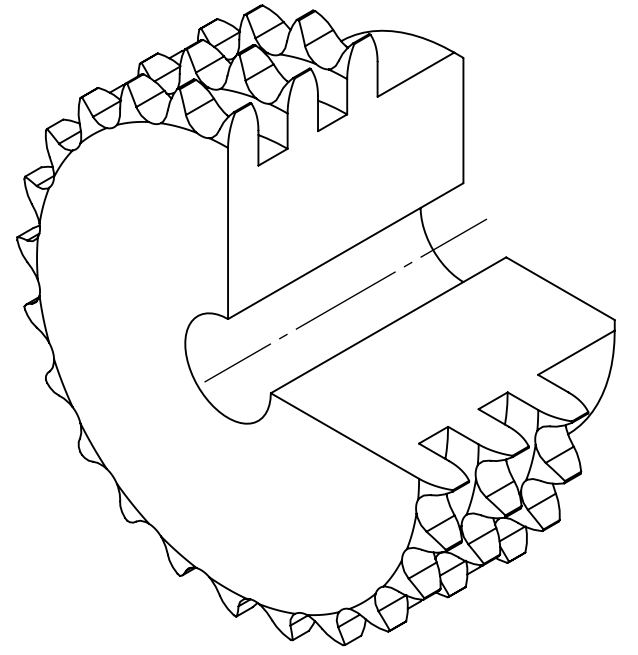
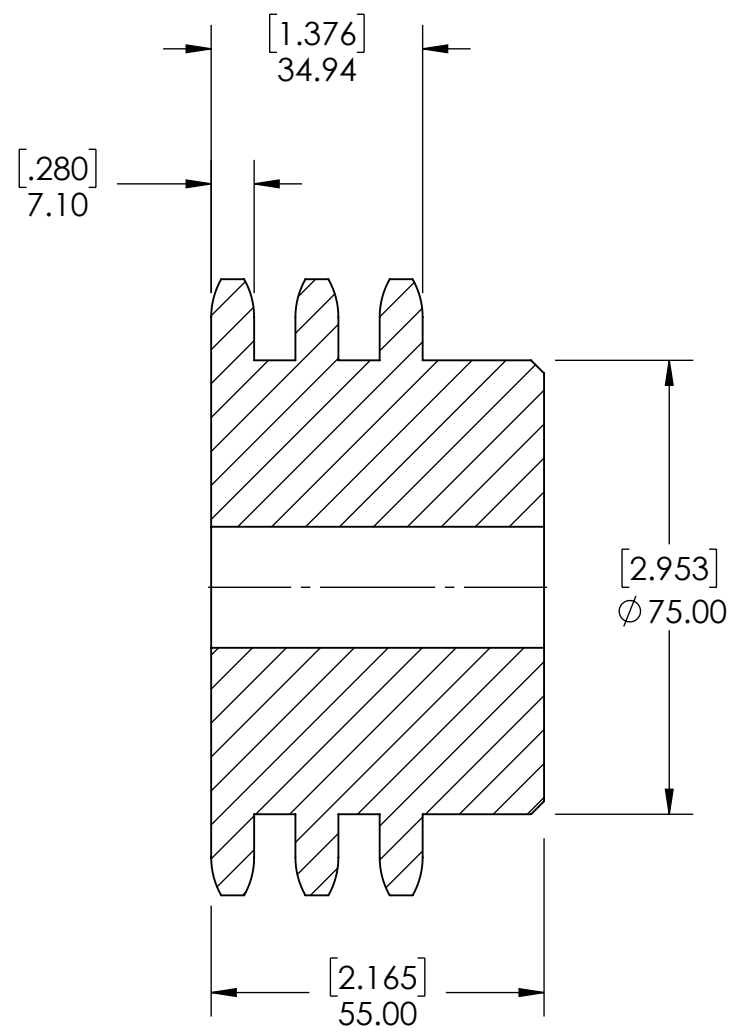
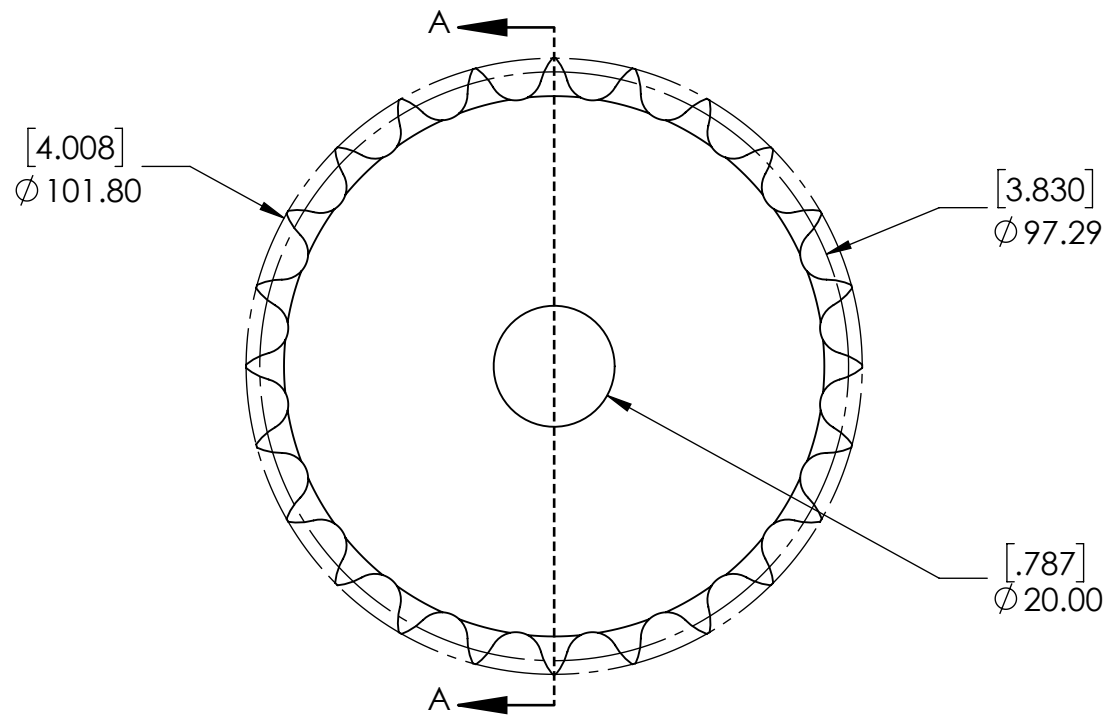


9 8 7 6 5 4 3 2 1

G
F
E
D
C
B
A

G
F
E
D
C
B
A



SECTION A-A

| SPROCKETS SPECIFICATIONS | | WEIGHT | | DATE | | BY | | REVISION DESCRIPTION | | REV |
|--------------------------|------------|-------------|--|--|--|-----|--|----------------------|--|-------|
| UNITS | mm (INCH) | 4.78 LBS | | | | | | | | |
| CHAIN SIZE | 08B | STEEL | | | | | | | | |
| PITCH | 12.70 mm | BLACK OXIDE | | DRAWN | | SEC | | 07/30/2025 | | |
| INNER WIDTH | 7.75 mm | | | CHECKED | | EG | | 07/30/2025 | | |
| ROLLER DIA. | 8.51 mm | | | APPROVED | | | | | | |
| TOOTH WIDTH | 7.10 mm | | | | | | | ITEM DESCRIPTION: | | SCALE |
| NUMBER OF TEETH | 24 | | | | | | | | | |
| HUB STYLE | B | | | DWG. NO. | | | | 08B-3-24B | | REV |
| BORE TYPE | PLAIN BORE | | | PROPRIETARY AND CONFIDENTIAL THE INFORMATION CONTAINED IN THIS DRAWING IS THE SOLE PROPERTY OF SOLVE IMG. ANY REPRODUCTION IN PART OR AS A WHOLE WITHOUT THE WRITTEN PERMISSION OF SOLVE IMG IS PROHIBITED. | | | | | | - |
| BUSHING NUMBER | N/A | | | | | | | | | |

9 8 7 6 5 4 3 2 1