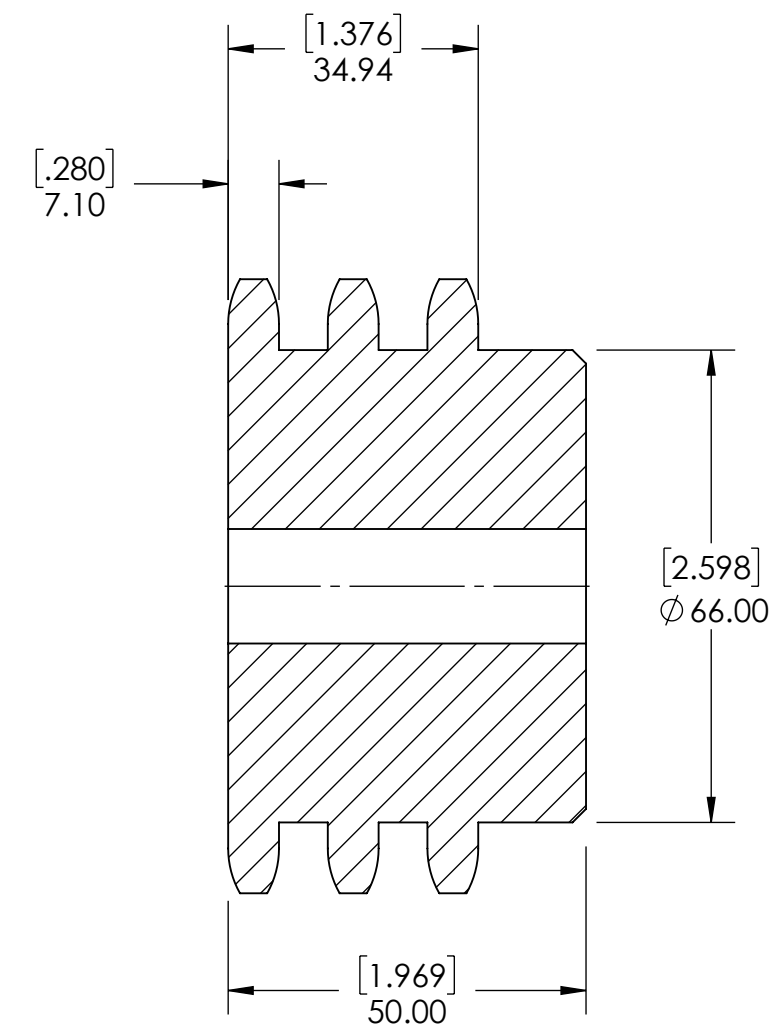
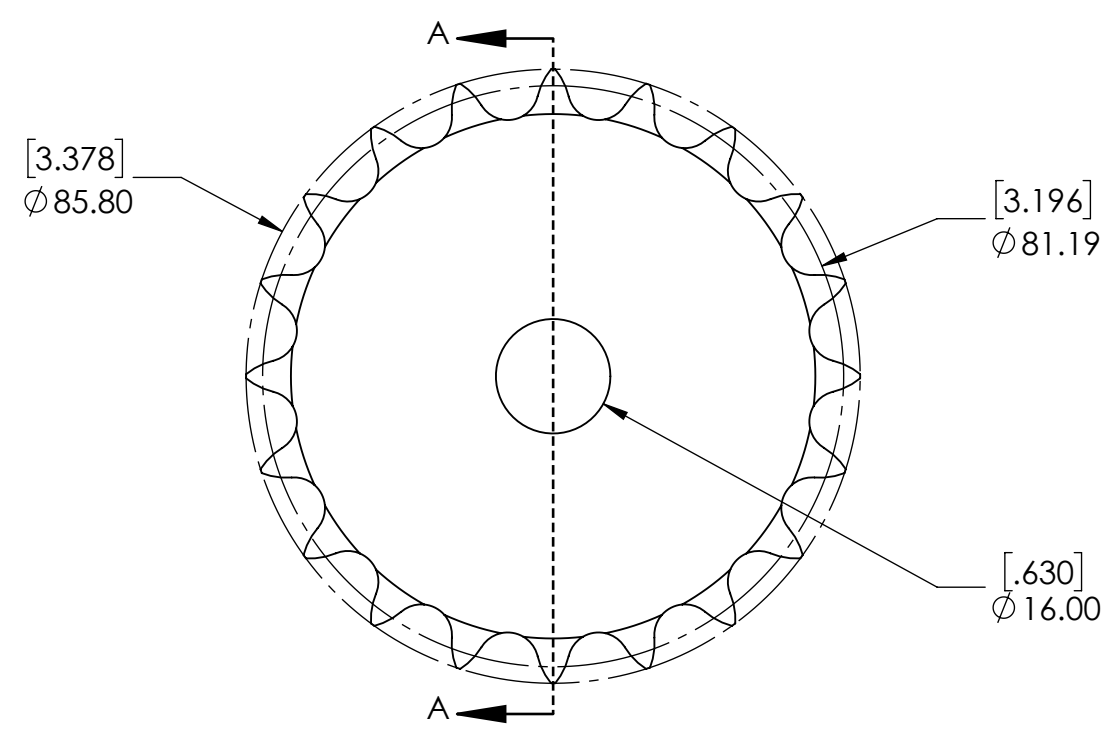


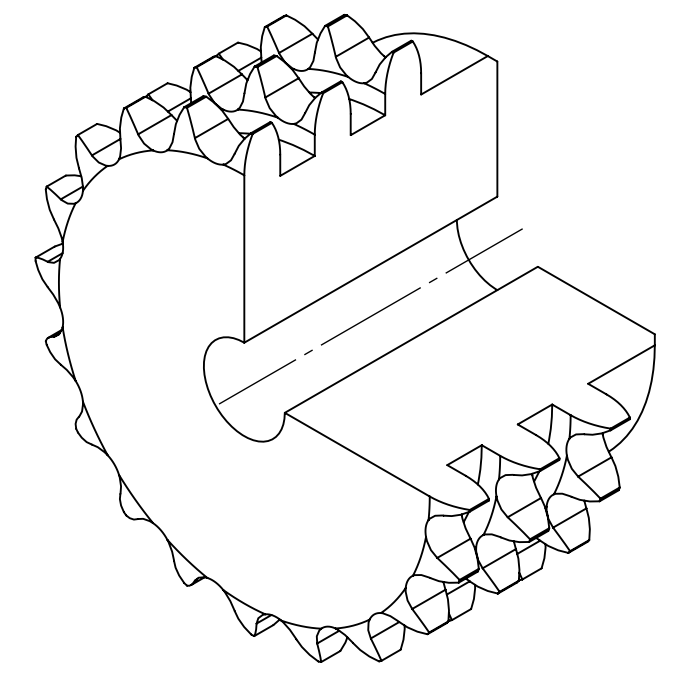
9 8 7 6 5 4 3 2 1

G  
F  
E  
D  
C  
B  
A

G  
F  
E  
D  
C  
B  
A



SECTION A-A



SPROCKETS SPECIFICATIONS		WEIGHT		DATE		BY		REVISION DESCRIPTION		REV
UNITS	mm (INCH)	3.23 LBS								
CHAIN SIZE	08B	STEEL								
PITCH	12.70 mm	BLACK OXIDE		07/30/2025						
INNER WIDTH	7.75 mm	DRAWN		EG						
ROLLER DIA.	8.51 mm	CHECKED		EG						
TOOTH WIDTH	7.10 mm	APPROVED								
NUMBER OF TEETH	20					ITEM DESCRIPTION:		08B-3-20B		SCALE
HUB STYLE	B									DATE
BORE TYPE	PLAIN BORE	DWG. NO.		08B-3-20B						1:1
BUSHING NUMBER	N/A	PROPRIETARY AND CONFIDENTIAL THE INFORMATION CONTAINED IN THIS DRAWING IS THE SOLE PROPERTY OF SOLVE IMG. ANY REPRODUCTION IN PART OR AS A WHOLE WITHOUT THE WRITTEN PERMISSION OF SOLVE IMG IS PROHIBITED.								-

9 8 7 6 5 4 3 2 1