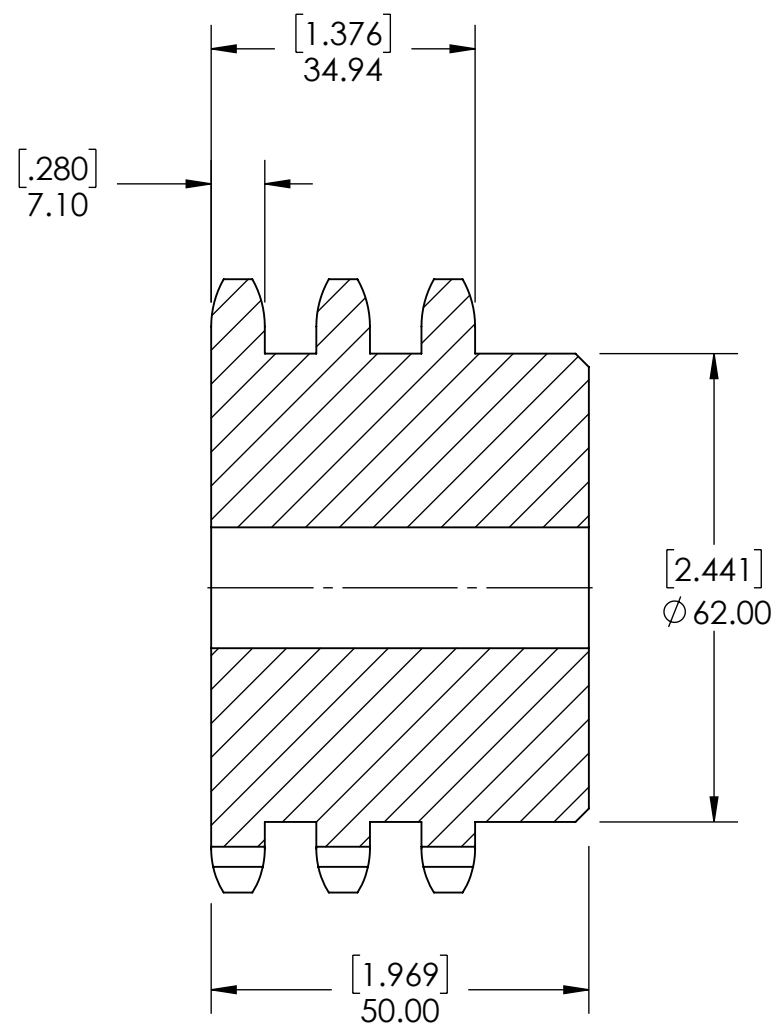
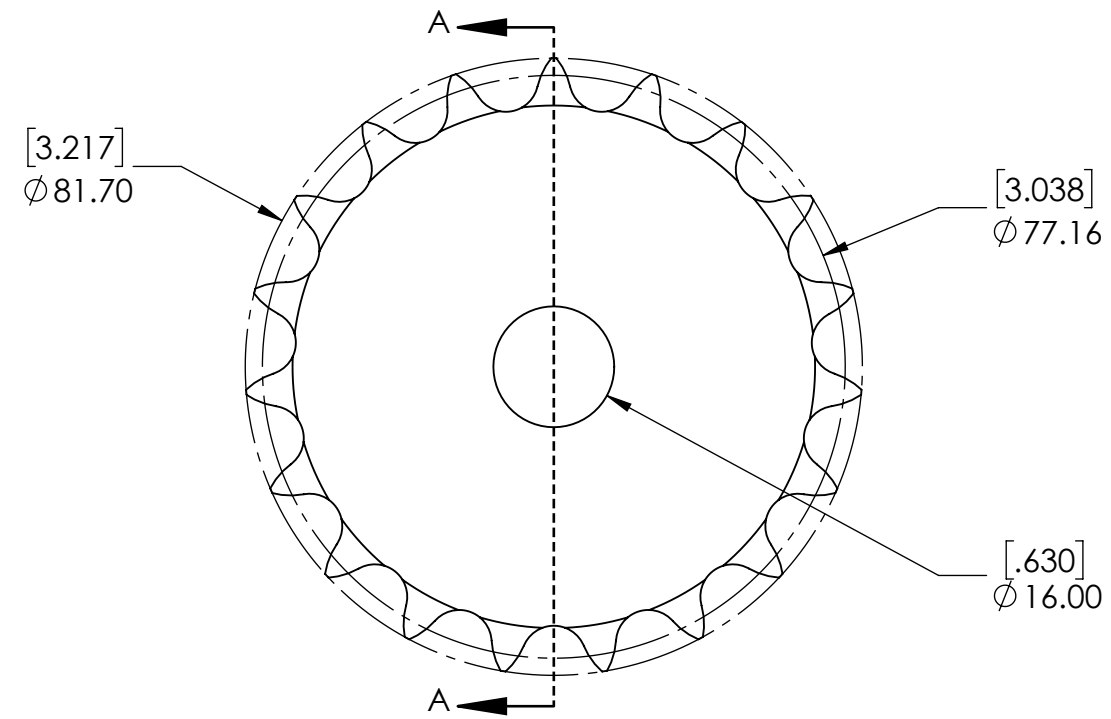


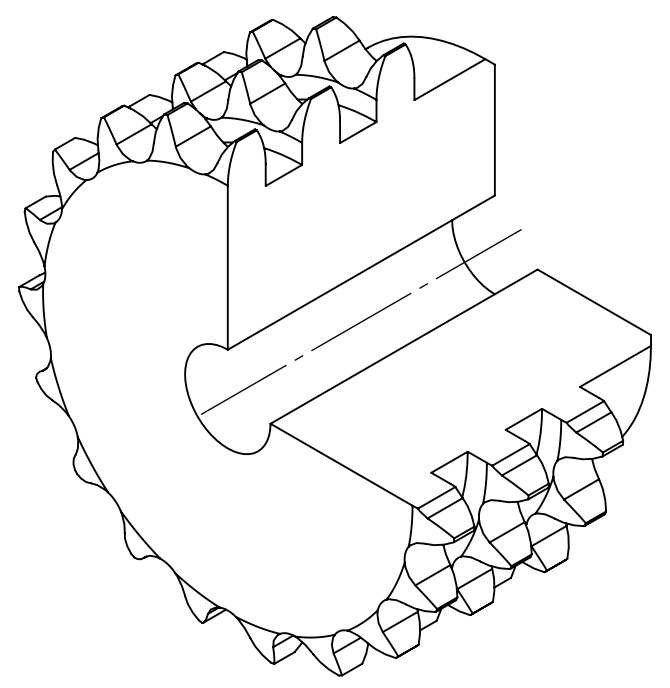
9 8 7 6 5 4 3 2 1

G
F
E
D
C
B
A

G
F
E
D
C
B
A



SECTION A-A



SPROCKETS SPECIFICATIONS		WEIGHT		DATE		BY		REVISION DESCRIPTION		REV	
UNITS	mm (INCH)	2.86 LBS									
CHAIN SIZE	08B	STEEL									
PITCH	12.70 mm	BLACK OXIDE		DRAWN		SEC		07/30/2025			
INNER WIDTH	7.75 mm			CHECKED		EG		07/30/2025			
ROLLER DIA.	8.51 mm			APPROVED							
TOOTH WIDTH	7.10 mm										
NUMBER OF TEETH	19										
HUB STYLE	B			DWG. NO.							
BORE TYPE	PLAIN BORE			PTI <small>INDUSTRIAL MOTION GROUP</small>		PROPRIETARY AND CONFIDENTIAL <small>THE INFORMATION CONTAINED IN THIS DRAWING IS THE SOLE PROPERTY OF SOLVE IMG. ANY REPRODUCTION IN PART OR AS A WHOLE WITHOUT THE WRITTEN PERMISSION OF SOLVE IMG IS PROHIBITED.</small>					
BUSHING NUMBER	N/A										
				ITEM DESCRIPTION:				08B-3-19B		SCALE	
										1:1	
										REV	
										-	

9 8 7 6 5 4 3 2 1