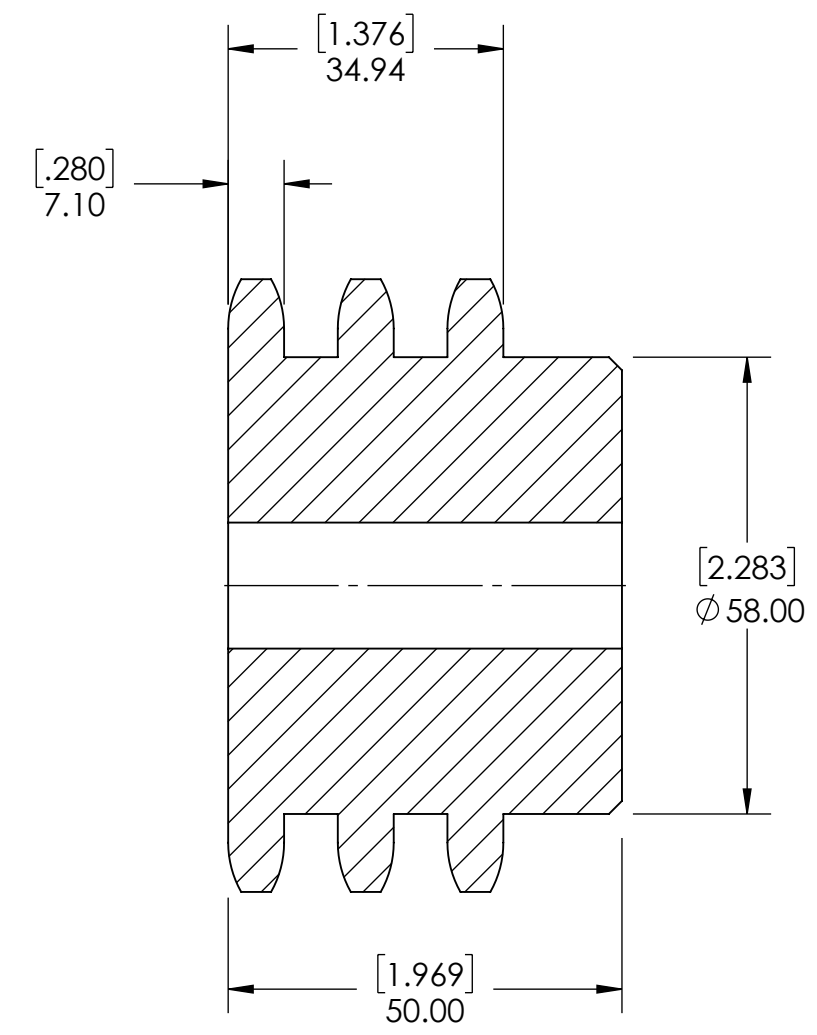
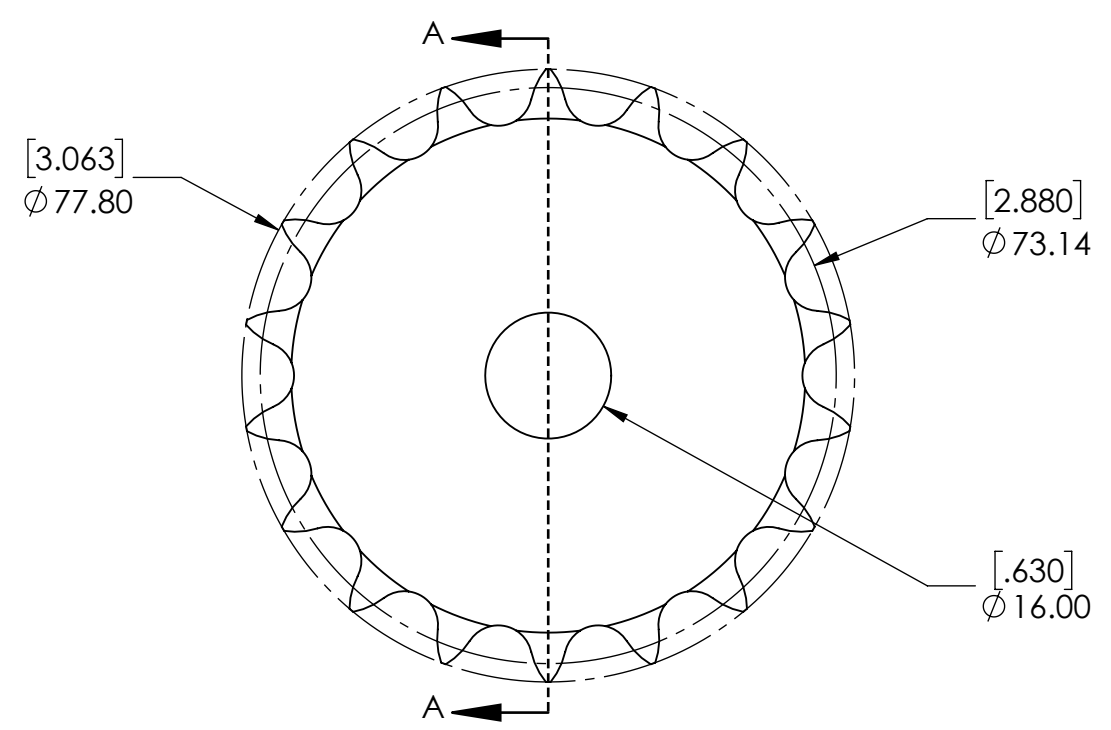


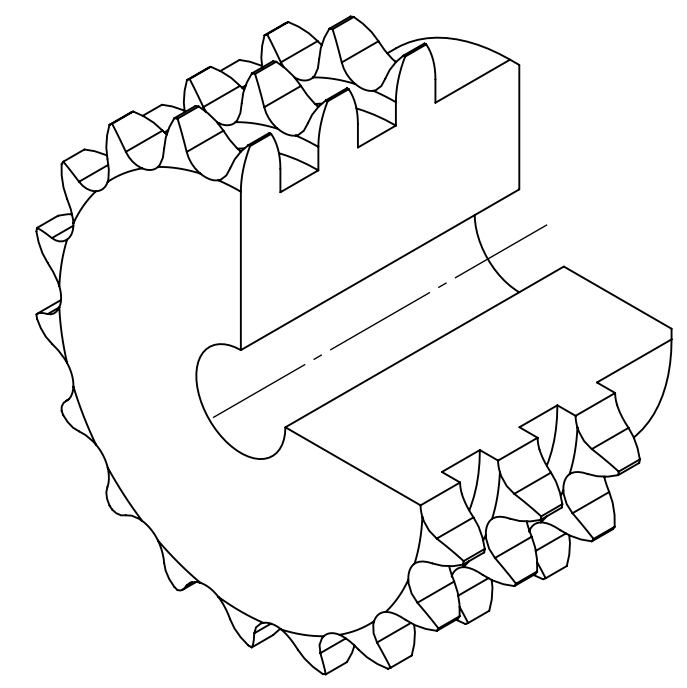
9 8 7 6 5 4 3 2 1

G  
F  
E  
D  
C  
B  
A

G  
F  
E  
D  
C  
B  
A



SECTION A-A



SPROCKETS SPECIFICATIONS		WEIGHT		DATE		BY		REVISION DESCRIPTION		REV
UNITS	mm (INCH)	2.51 LBS								
CHAIN SIZE	08B	MATERIAL	STEEL							
PITCH	12.70 mm	COATING	BLACK OXIDE	DRAWN	SEC	07/30/2025				
INNER WIDTH	7.75 mm	CHECKED	EG	07/30/2025						
ROLLER DIA.	8.51 mm	APPROVED								
TOOTH WIDTH	7.10 mm					ITEM DESCRIPTION:		08B-3-18B		SCALE
NUMBER OF TEETH	18									
HUB STYLE	B	DWG. NO.		PROPRIETARY AND CONFIDENTIAL						REV
BORE TYPE	PLAIN BORE			<small>THE INFORMATION CONTAINED IN THIS DRAWING IS THE SOLE PROPERTY OF SOLVE IMG. ANY REPRODUCTION IN PART OR AS A WHOLE WITHOUT THE WRITTEN PERMISSION OF SOLVE IMG IS PROHIBITED.</small>						-
BUSHING NUMBER	N/A									

9 8 7 6 5 4 3 2 1