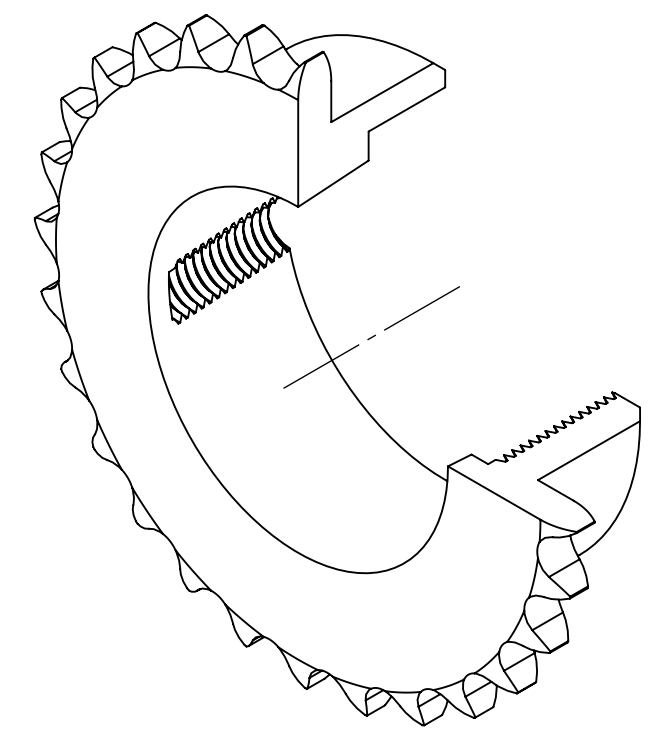
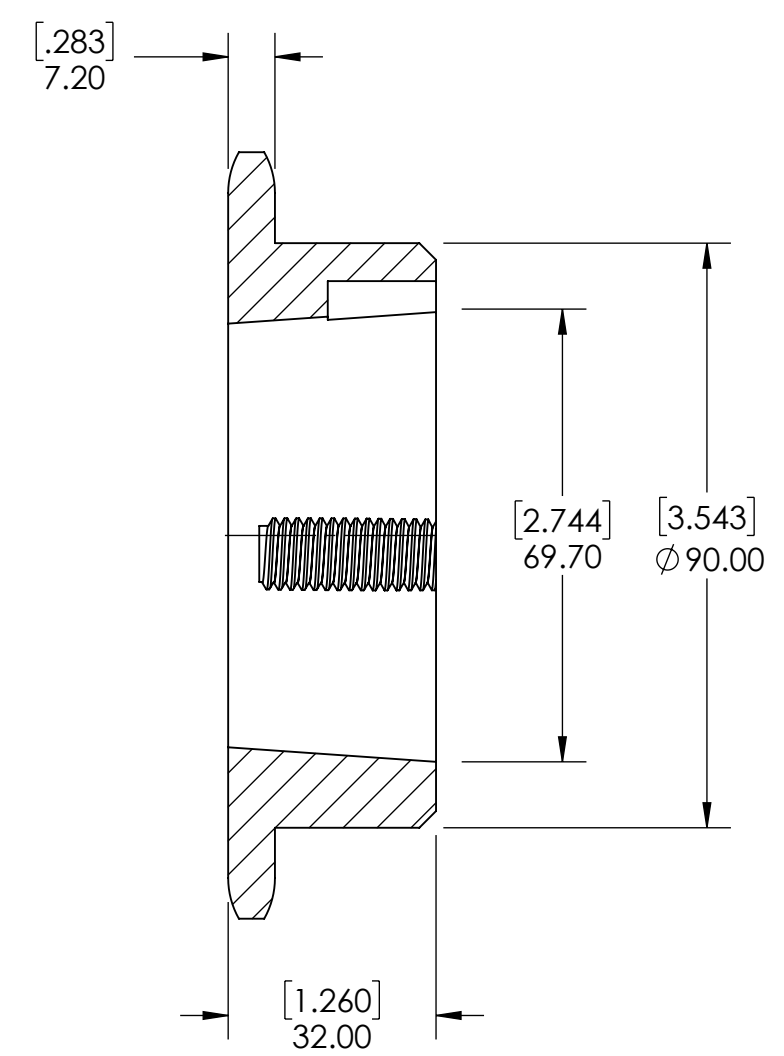
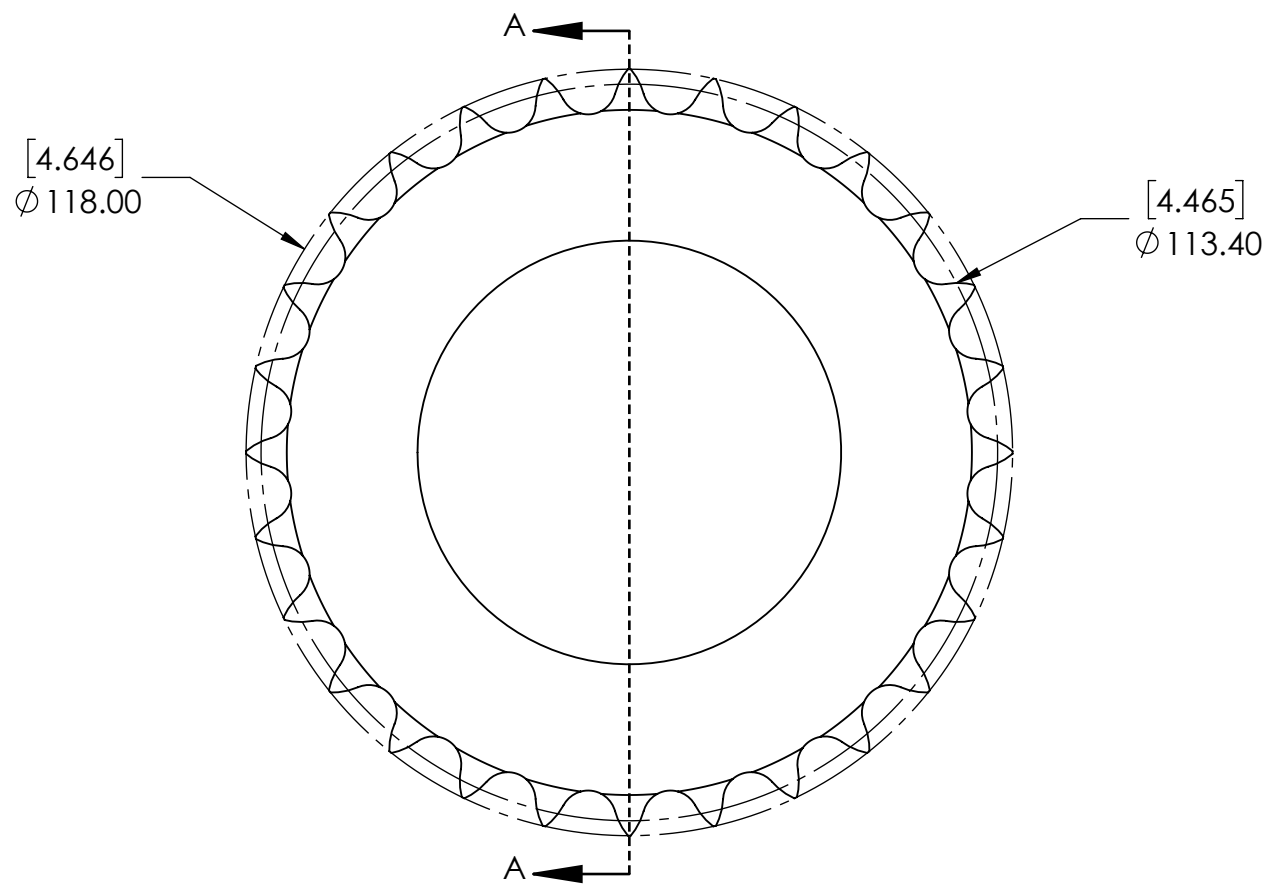


9 8 7 6 5 4 3 2 1

G F E D C B A



SECTION A-A

SPROCKETS SPECIFICATIONS		WEIGHT		1.85 LBS	
UNITS	mm (INCH)	MATERIAL	STEEL		
CHAIN SIZE	08B	COATING	BLACK OXIDE		
PITCH	12.70 mm	DRAWN	SEC	07/21/2025	
INNER WIDTH	7.75 mm	CHECKED	SEC	07/28/2025	
ROLLER DIA.	8.51 mm	APPROVED	DATE BY REVISION DESCRIPTION		
TOOTH WIDTH	7.20 mm		ITEM DESCRIPTION:		
NUMBER OF TEETH	28		08B-28TL-2012		
HUB STYLE	B	DWG. NO.		SCALE	
BORE TYPE	FOR TAPER BUSHING			1:1	
BUSHING NUMBER	2012	<small>PROPRIETARY AND CONFIDENTIAL THE INFORMATION CONTAINED IN THIS DRAWING IS THE SOLE PROPERTY OF SOLVE IMG. ANY REPRODUCTION IN PART OR AS A WHOLE WITHOUT THE WRITTEN PERMISSION OF SOLVE IMG IS PROHIBITED.</small>		REV	
					-

9 8 7 6 5 4 3 2 1

A