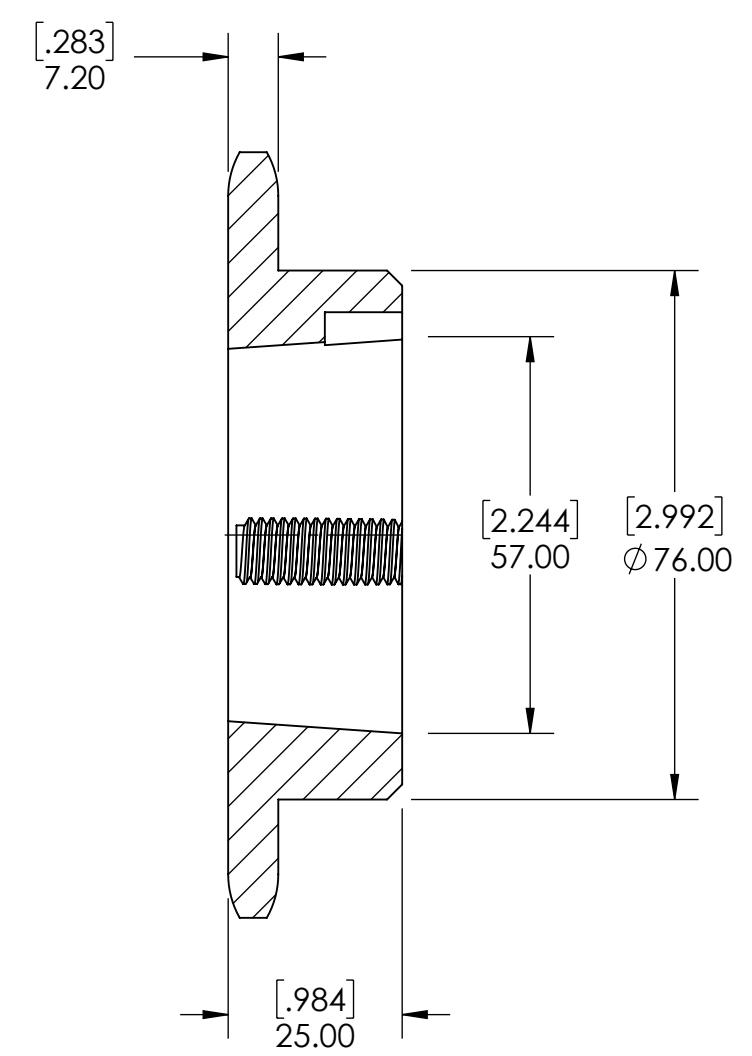
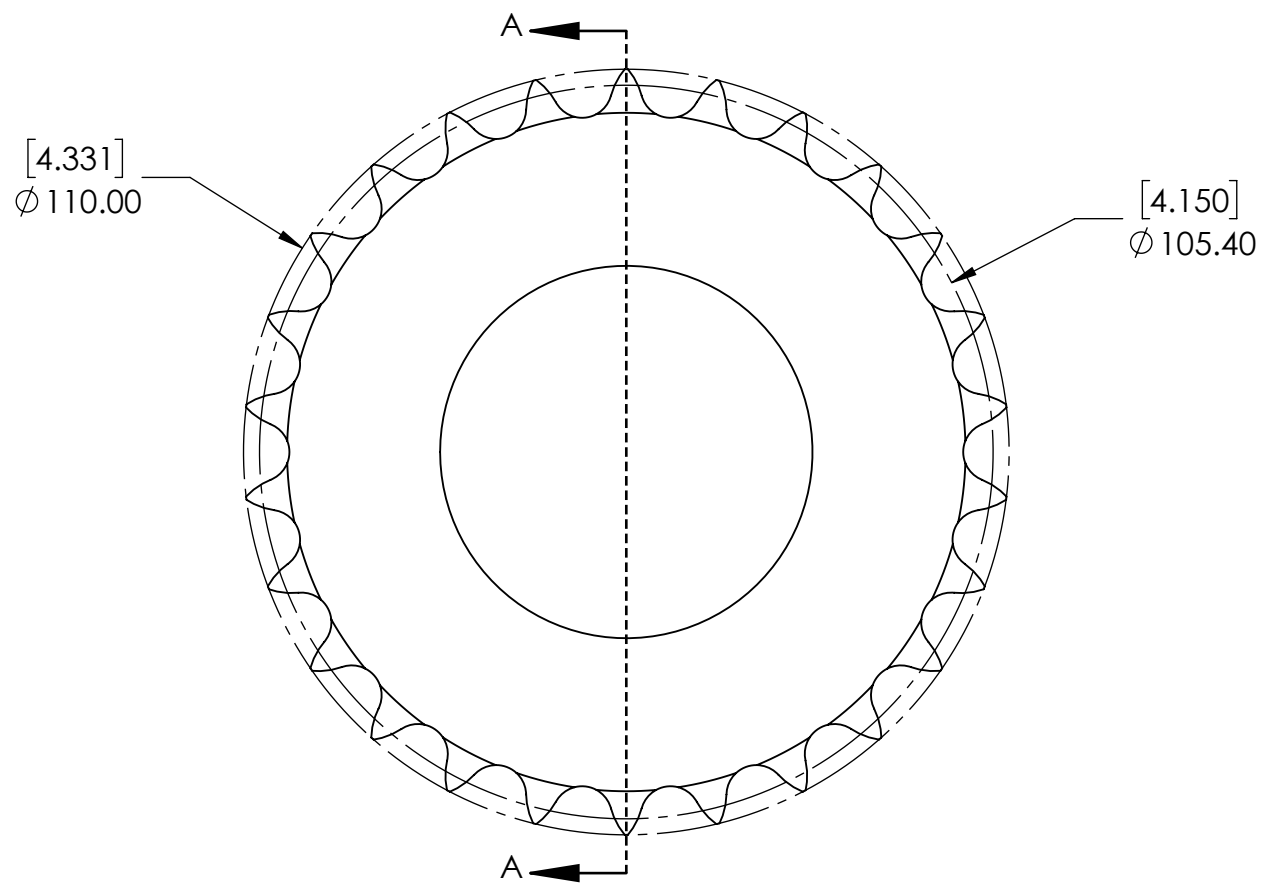


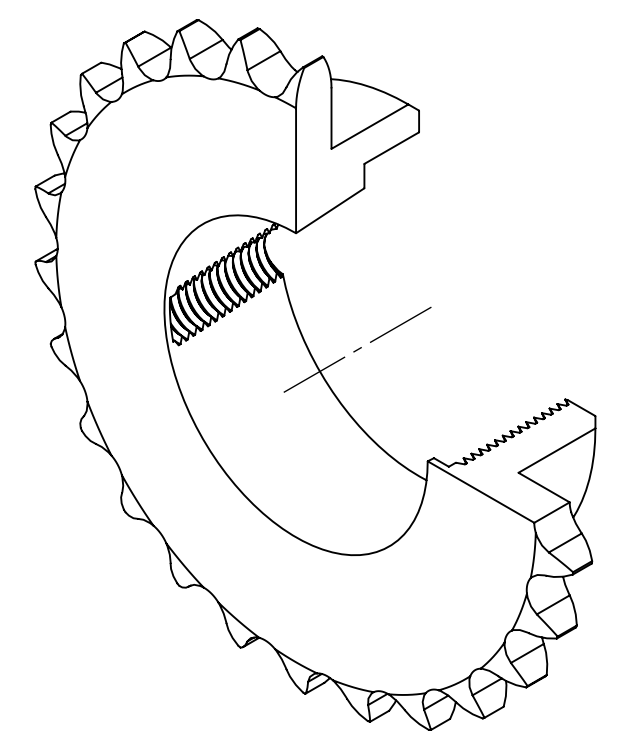
9 8 7 6 5 4 3 2 1

G
F
E
D
C
B
A

G
F
E
D
C
B
A



SECTION A-A



SPROCKETS SPECIFICATIONS		WEIGHT		DATE		BY		REVISION DESCRIPTION		REV
UNITS	mm (INCH)	1.33 LBS								
CHAIN SIZE	08B	MATERIAL	STEEL							
PITCH	12.70 mm	COATING	BLACK OXIDE	DRAWN	SEC	07/21/2025				
INNER WIDTH	7.75 mm	CHECKED	SEC	07/28/2025						
ROLLER DIA.	8.51 mm	APPROVED								
TOOTH WIDTH	7.20 mm					ITEM DESCRIPTION:		08B-26TL-1610		SCALE
NUMBER OF TEETH	26									DATE
HUB STYLE	B	DWG. NO.		PROPRIETARY AND CONFIDENTIAL <small>THE INFORMATION CONTAINED IN THIS DRAWING IS THE SOLE PROPERTY OF SOLVE IMG. ANY REPRODUCTION IN PART OR AS A WHOLE WITHOUT THE WRITTEN PERMISSION OF SOLVE IMG IS PROHIBITED.</small>						1:1
BORE TYPE	FOR TAPER BUSHING									-
BUSHING NUMBER	1610									

9 8 7 6 5 4 3 2 1