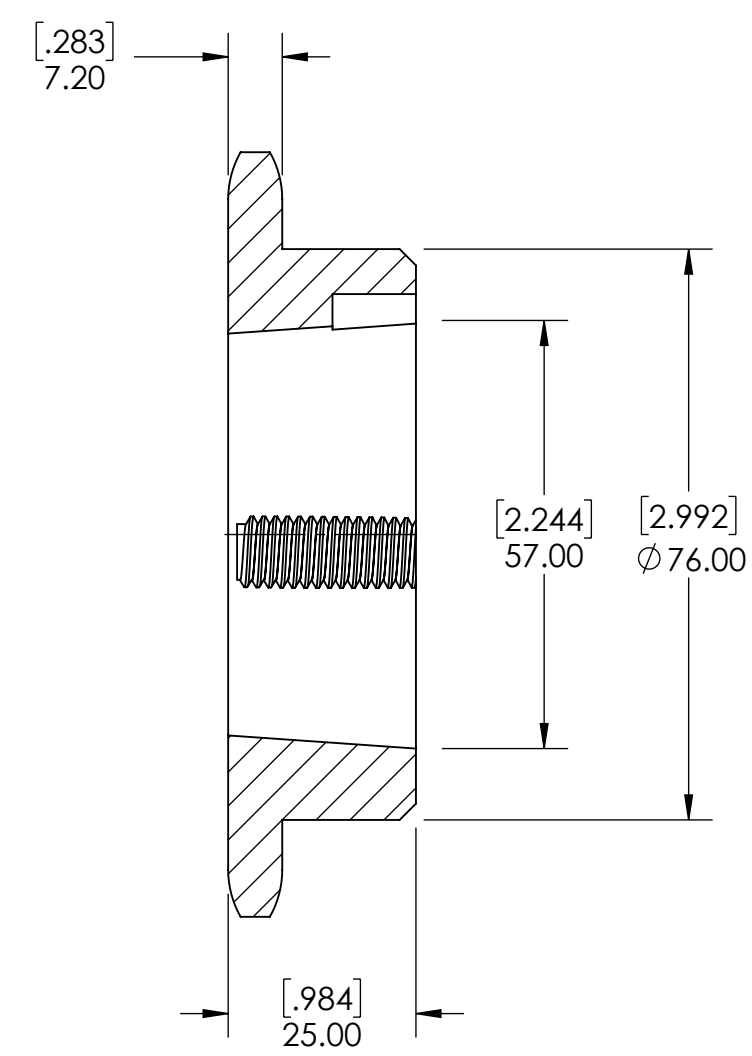
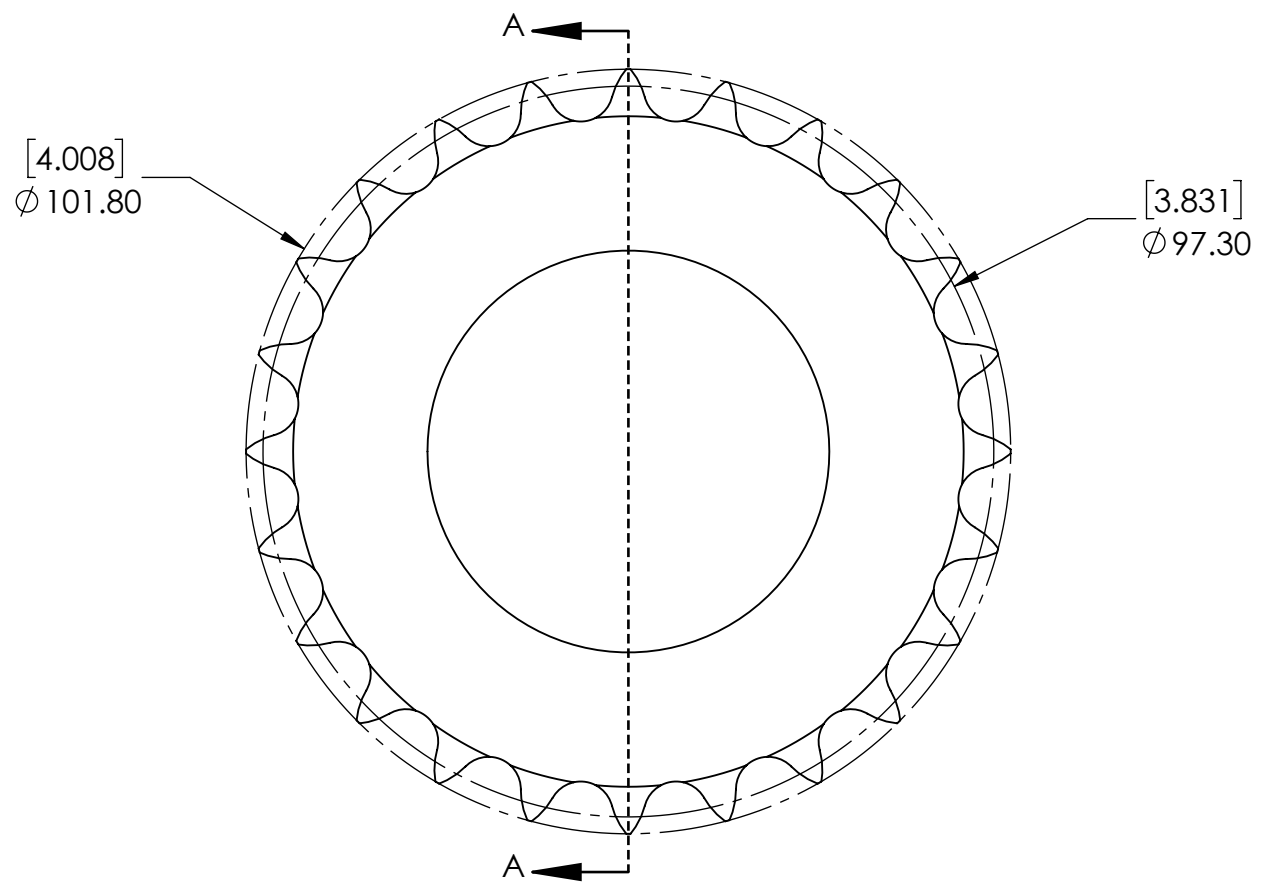


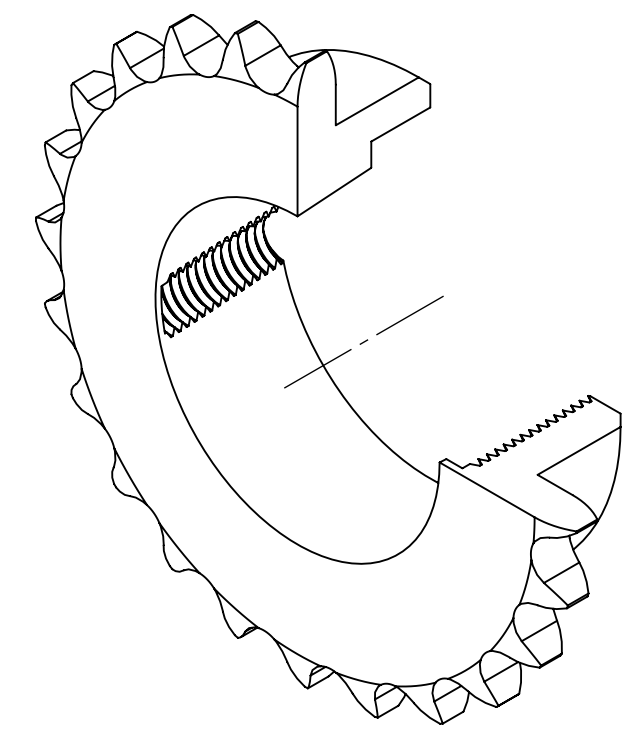
9 8 7 6 5 4 3 2 1

G  
F  
E  
D  
C  
B  
A

G  
F  
E  
D  
C  
B  
A



SECTION A-A



SPROCKETS SPECIFICATIONS		WEIGHT		DATE		BY		REVISION DESCRIPTION		REV
UNITS	mm (INCH)	1.17 LBS								SCALE
CHAIN SIZE	08B	STEEL								1:1
PITCH	12.70 mm	BLACK OXIDE		07/21/2025						REV
INNER WIDTH	7.75 mm	DRAWN		SEC						-
ROLLER DIA.	8.51 mm	CHECKED		SEC						
TOOTH WIDTH	7.20 mm	APPROVED								
NUMBER OF TEETH	24	THIRD ANGLE PROJECTION								
HUB STYLE	B	DWG. NO.								
BORE TYPE	FOR TAPER BUSHING	PTI		PROPRIETARY AND CONFIDENTIAL						
BUSHING NUMBER	1610	THE INFORMATION CONTAINED IN THIS DRAWING IS THE SOLE PROPERTY OF SOLVE IMG. ANY REPRODUCTION IN PART OR AS A WHOLE WITHOUT THE WRITTEN PERMISSION OF SOLVE IMG IS PROHIBITED.								
				ITEM DESCRIPTION:						
						08B-24TL-1610				

9 8 7 6 5 4 3 2 1