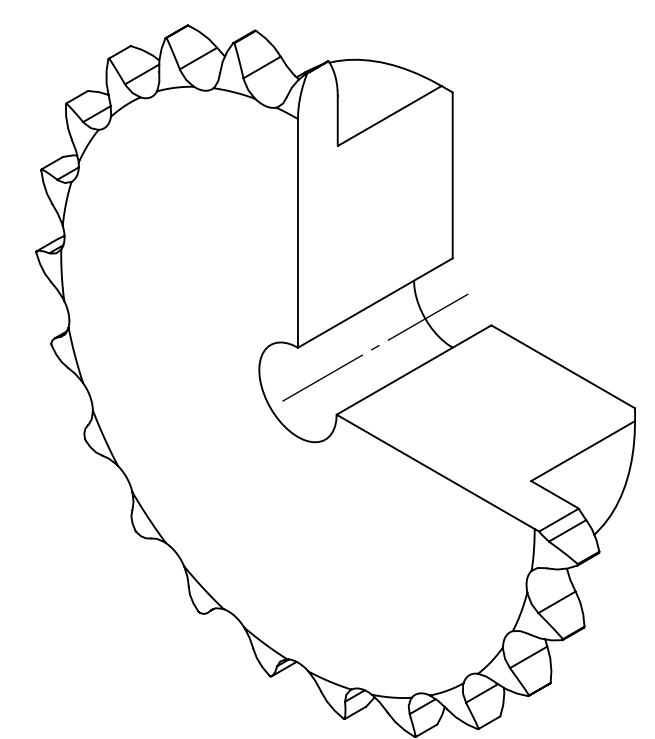
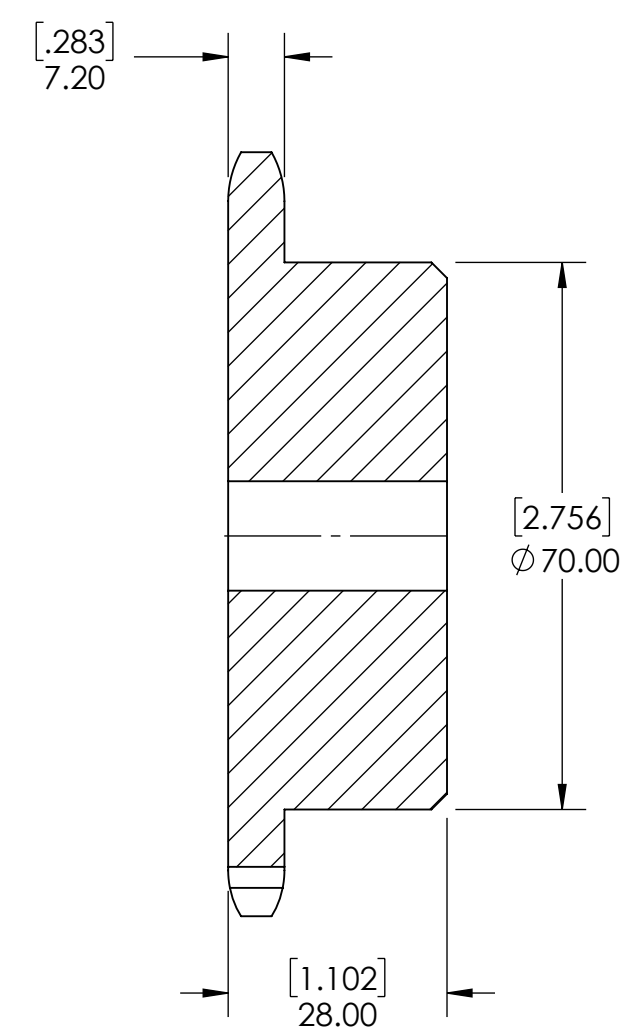
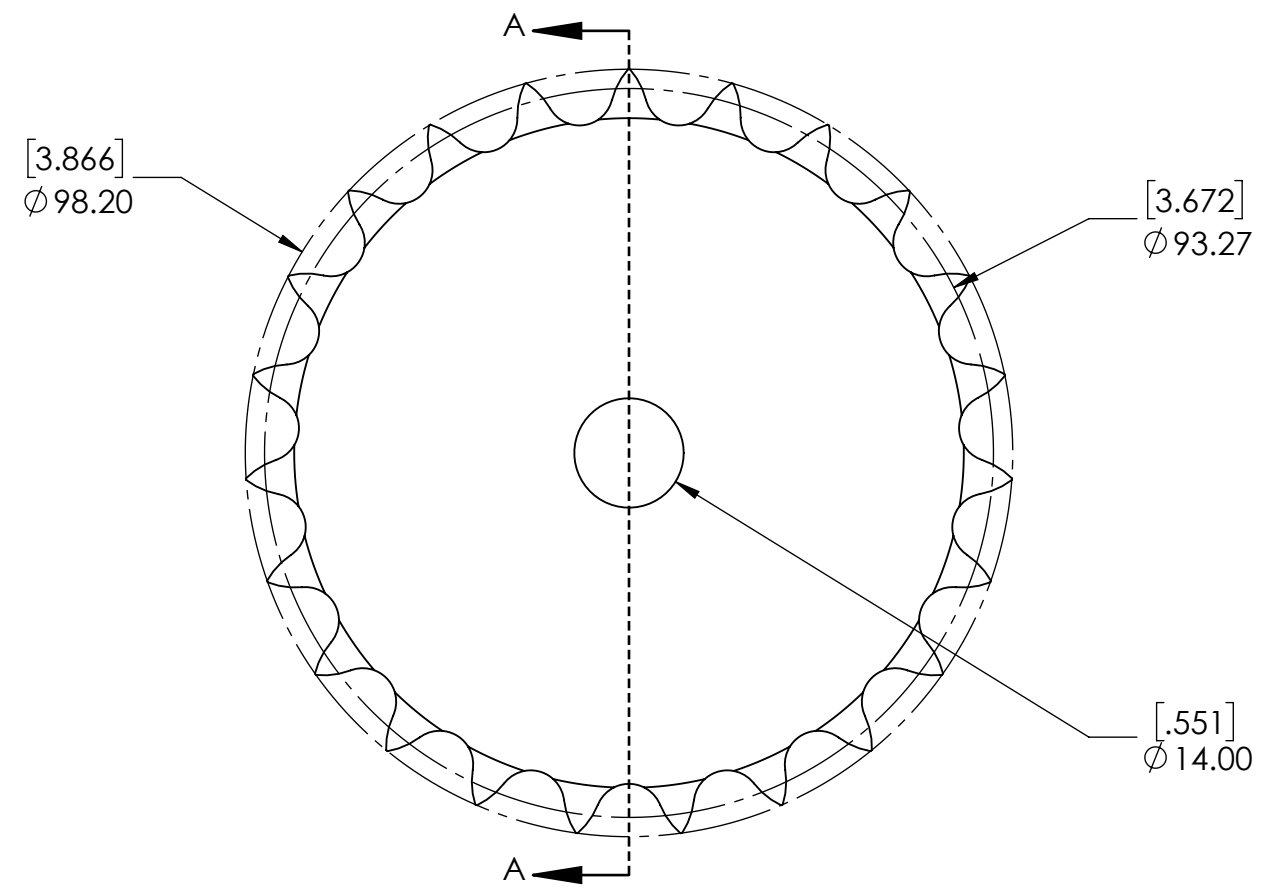


9 8 7 6 5 4 3 2 1

G  
F  
E  
D  
C  
B  
A

G  
F  
E  
D  
C  
B  
A



SECTION A-A

SPROCKETS SPECIFICATIONS		WEIGHT		DATE		BY		REVISION DESCRIPTION		REV
UNITS	mm (INCH)	2.08 LBS								
CHAIN SIZE	08B	MATERIAL	STEEL							
PITCH	12.70 mm	COATING	BLACK OXIDE							
INNER WIDTH	7.75 mm	DRAWN	SEC	07/21/2025						
ROLLER DIA.	8.51 mm	CHECKED								
TOOTH WIDTH	7.20 mm	APPROVED								
NUMBER OF TEETH	23					ITEM DESCRIPTION:		08B-23B		SCALE
HUB STYLE	B									DWG. NO.
BORE TYPE	PLAIN BORE									REV
BUSHING NUMBER	N/A									-

9 8 7 6 5 4 3 2 1